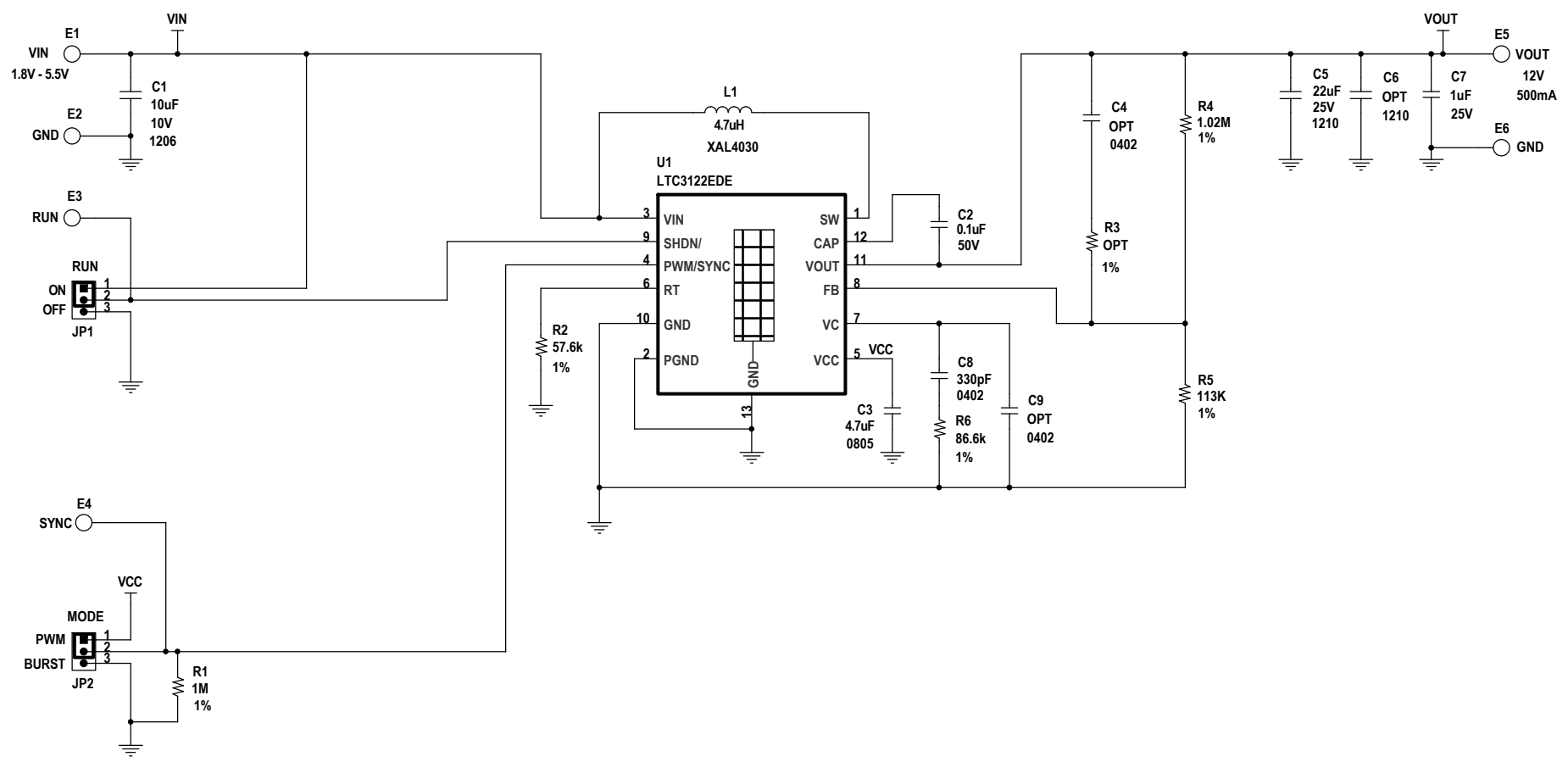


| REVISION HISTORY |     |                |          |          |
|------------------|-----|----------------|----------|----------|
| ECO              | REV | DESCRIPTION    | APPROVED | DATE     |
| —                | 2   | PRODUCTION FAB | FRAN H.  | 05-16-12 |



**NOTE: UNLESS OTHERWISE SPECIFIED**

1. ALL RESISTORS ARE 0402 AND CAPACITORS ARE 0603.
2. INSTALL SHUNTS AS SHOWN.

|  |     |  |            |   |   |
|--|-----|--|------------|---|---|
| <p align="center"><b>CUSTOMER NOTICE</b></p> <p>LINEAR TECHNOLOGY HAS MADE A BEST EFFORT TO DESIGN A CIRCUIT THAT MEETS CUSTOMER-SUPPLIED SPECIFICATIONS; HOWEVER, IT REMAINS THE CUSTOMER'S RESPONSIBILITY TO VERIFY PROPER AND RELIABLE OPERATION IN THE ACTUAL APPLICATION. COMPONENT SUBSTITUTION AND PRINTED CIRCUIT BOARD LAYOUT MAY SIGNIFICANTLY AFFECT CIRCUIT PERFORMANCE OR RELIABILITY. CONTACT LINEAR TECHNOLOGY APPLICATIONS ENGINEERING FOR ASSISTANCE.</p> |     | <p align="center"><b>APPROVALS</b></p> |            | <p>1630 McCarthy Blvd.<br/>Milpitas, CA 95035<br/>Phone: (408)432-1900 www.linear.com<br/>Fax: (408)434-0507<br/>LTC Confidential-For Customer Use Only</p> |   |
|  |     | PCB DES.                               | NC         |   |   |
| <p>THIS CIRCUIT IS PROPRIETARY TO LINEAR TECHNOLOGY AND SUPPLIED FOR USE WITH LINEAR TECHNOLOGY PARTS.</p>   |     | <p>SCALE = NONE</p>                    |            | <p>TITLE: SCHEMATIC</p> <p align="center"><b>15V, 2.5A SYNCHRONOUS BOOST DC / DC CONVERTER</b></p>  |   |
| SIZE   | N/A | IC NO.                                 | LTC3122EDE | REV.  | 2 |
|  |     | DATE:                                  | 05-16-12   | SHEET 1 OF 1  |   |