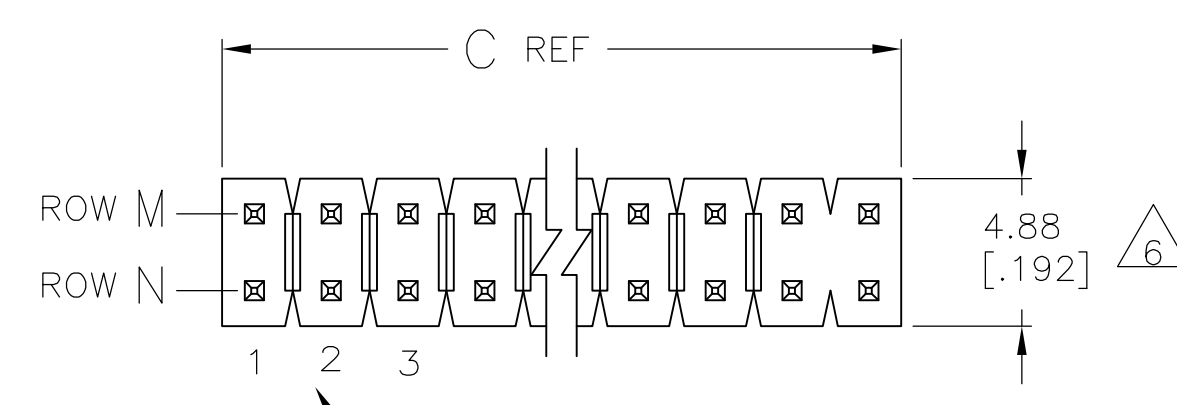
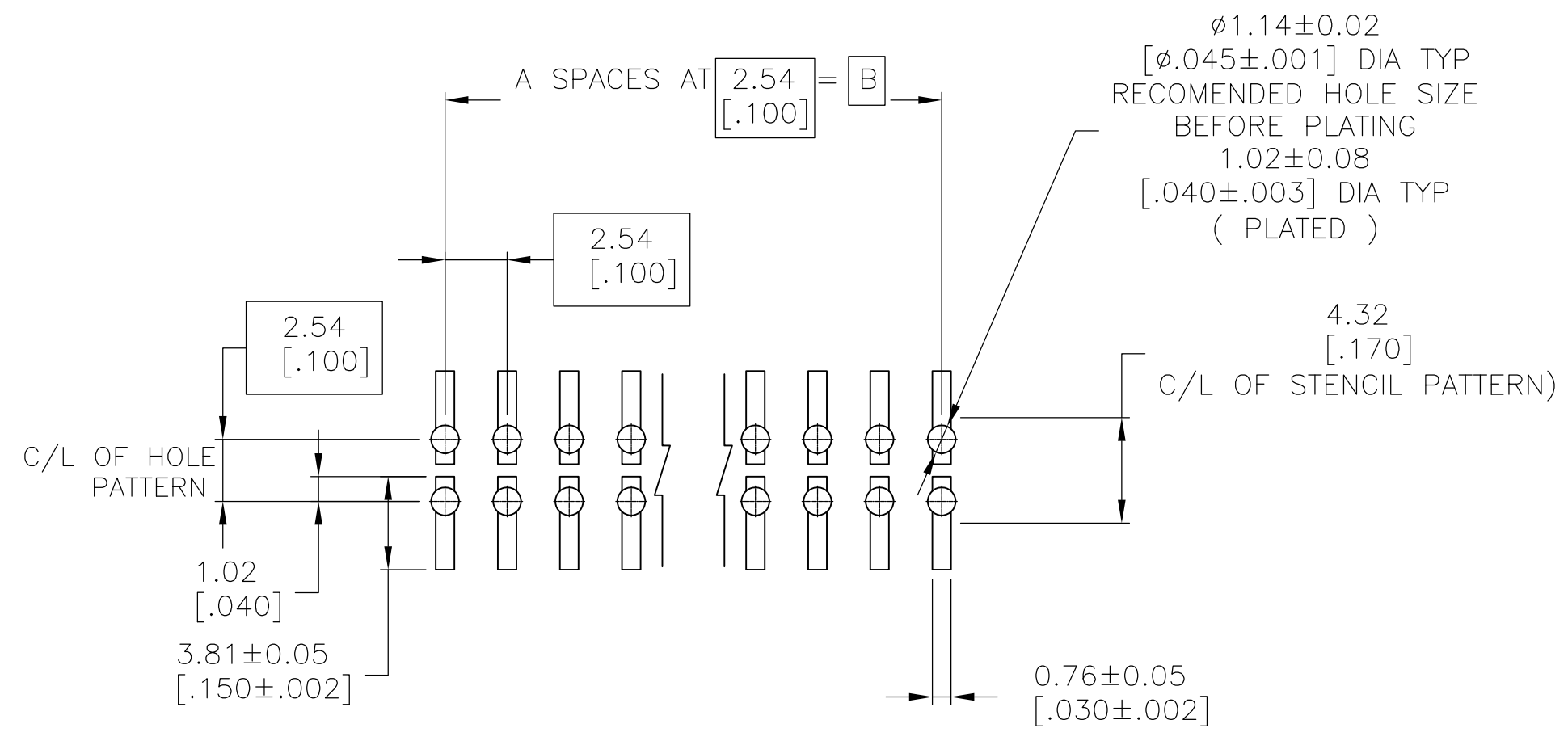
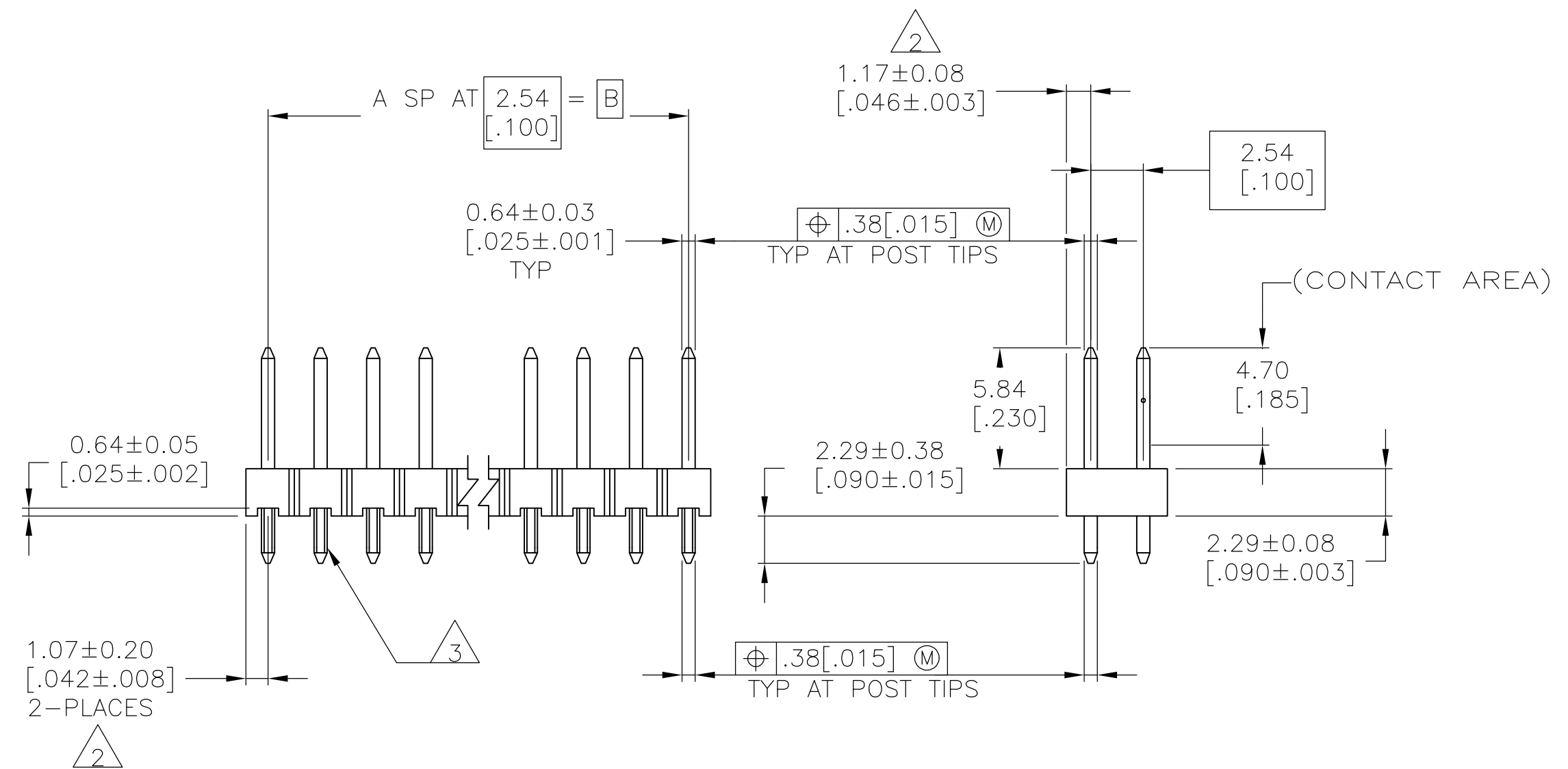


1. TRUE POSITION TOLERANCE OF THE POST TIPS APPLIES WHEN THE HEADER IS HELD FLAT AGAINST THE PRINTED CIRCUIT BOARD.
2. THE NOTED DIMENSIONS APPLY AT THE INTERSECTION OF THE POST AND HOUSING.
3. RETENTION FEATURES ON SOLDER TAILS, LOCATED AT MANUFACTURERS OPTION.
4. HOUSING: LCP, COLOR-BLACK. POST: COPPER ALLOY.
5. 0.000127 [.000005] GOLD IN CONTACT AREA, 0.00254-0.00508 [.0000100-.0000200] MATTE TIN-LEAD ON SOLDER TAIL, ALL OVER 0.00127 [.000050] NICKEL.
6. THIS DIMENSION WILL BE 4.67[.184] FOR THE 2 POSITION CONFIGURATION
7. 0.000127 [.000005] GOLD IN CONTACT AREA, 0.00254-0.00508 [.0000100-.0000200] MATTE TIN ON SOLDER TAIL, ALL OVER 0.00127 [.000050] NICKEL.
8. OBSOLETE PARTS: OBSOLETE CIS STREAMLINING PER D.RENAUD/D.SINISI



POST NO REF (SEE TABLE)



RECOMMENDED PC BOARD MOUNTING DIMENSIONS FOR .063 [.160] THICK PC BOARD AND .012 [.305] STENCIL THICK.

PLATING	C	B	A	NO. OF POSITIONS	PART NUMBER	PLATING	C	B	A	NO. OF POSITIONS	PART NUMBER
7	101.19	99.06	39	80	9-146271-0	5	101.19	99.06	39	80	4-146271-0
7	98.65	96.52	38	78	8-146271-9	5	98.65	96.52	38	78	3-146271-9
7	96.11	93.98	37	76	8-146271-8	5	96.11	93.98	37	76	3-146271-8
7	93.57	91.44	36	74	8-146271-7	5	93.57	91.44	36	74	3-146271-7
7	91.03	88.90	35	72	8-146271-6	5	91.03	88.90	35	72	3-146271-6
7	88.49	86.36	34	70	8-146271-5	5	88.49	86.36	34	70	3-146271-5
7	85.95	83.82	33	68	8-146271-4	5	85.95	83.82	33	68	3-146271-4
7	83.41	81.28	32	66	8-146271-3	5	83.41	81.28	32	66	3-146271-3
7	80.87	78.74	31	64	8-146271-2	5	80.87	78.74	31	64	3-146271-2
7	78.33	76.20	30	62	8-146271-1	5	78.33	76.20	30	62	3-146271-1
7	75.79	73.66	29	60	8-146271-0	5	75.79	73.66	29	60	3-146271-0
7	73.25	71.12	28	58	7-146271-9	5	73.25	71.12	28	58	2-146271-9
7	70.71	68.58	27	56	7-146271-8	5	70.71	68.58	27	56	2-146271-8
7	68.17	66.04	26	54	7-146271-7	5	68.17	66.04	26	54	2-146271-7
7	65.63	63.5	25	52	7-146271-6	5	65.63	63.5	25	52	2-146271-6
7	63.09	60.96	24	50	7-146271-5	5	63.09	60.96	24	50	2-146271-5
7	60.55	58.42	23	48	7-146271-4	5	60.55	58.42	23	48	2-146271-4
7	58.01	55.88	22	46	7-146271-3	5	58.01	55.88	22	46	2-146271-3
7	55.47	53.34	21	44	7-146271-2	5	55.47	53.34	21	44	2-146271-2
7	52.93	50.80	20	42	7-146271-1	5	52.93	50.80	20	42	2-146271-1
7	50.39	48.26	19	40	7-146271-0	5	50.39	48.26	19	40	2-146271-0
7	47.85	45.72	18	38	6-146271-9	5	47.85	45.72	18	38	1-146271-9
7	45.31	43.18	17	36	6-146271-8	5	45.31	43.18	17	36	1-146271-8
7	42.77	40.64	16	34	6-146271-7	5	42.77	40.64	16	34	1-146271-7
7	40.23	38.10	15	32	6-146271-6	5	40.23	38.10	15	32	1-146271-6
7	37.69	35.56	14	30	6-146271-5	5	37.69	35.56	14	30	1-146271-5
7	35.15	33.02	13	28	6-146271-4	5	35.15	33.02	13	28	1-146271-4
7	32.61	30.48	12	26	6-146271-3	5	32.61	30.48	12	26	1-146271-3
7	30.07	27.94	11	24	6-146271-2	5	30.07	27.94	11	24	1-146271-2
7	27.53	25.40	10	22	6-146271-1	5	27.53	25.40	10	22	1-146271-1
7	24.99	22.86	9	20	6-146271-0	5	24.99	22.86	9	20	1-146271-0
7	22.45	20.32	8	18	5-146271-9	5	22.45	20.32	8	18	146271-9
7	19.91	17.78	7	16	5-146271-8	5	19.91	17.78	7	16	146271-8
7	17.37	15.24	6	14	5-146271-7	5	17.37	15.24	6	14	146271-7
7	14.83	12.70	5	12	5-146271-6	5	14.83	12.70	5	12	146271-6
7	12.29	10.16	4	10	5-146271-5	5	12.29	10.16	4	10	146271-5
7	9.75	7.62	3	8	5-146271-4	5	9.75	7.62	3	8	146271-4
7	7.21	5.08	2	6	5-146271-3	5	7.21	5.08	2	6	146271-3
7	4.67	2.54	1	4	5-146271-2	5	4.67	2.54	1	4	146271-2
7	2.13	1.00	-	2	5-146271-1	5	2.13	1.00	-	2	146271-1
7	-.092	-	-	2	5-146271-1	5	-.092	-	-	2	146271-1

OBSOLETE

THIS DRAWING IS A CONTROLLED DOCUMENT.

DIMENSIONS: mm [INCHES]	TOLERANCES UNLESS OTHERWISE SPECIFIED:	DIN T. HOFFMAN 8-5-95	STE TE Connectivity
0 PLC ± -	1 PLC ± .05	4-3-96	NAME: HEADER ASSEMBLY, MOD II, BREAKAWAY, DOUBLE ROW, .100 X.100 C/L, VERTICAL, WITH RETENTION FEATURE, .025 SQ.POSTS, HIGH TEMPERATURE
2 PLC ± .012[.005]	3 PLC ± .012[.005]	4-3-96	APPLICATION SPEC
4 PLC ± .012[.005]	ANGLES ±	APPRO G. DUBNICZKI	SIZE: A1 00779 C=146271
MATERIAL 4	FINISH SEE TABLE	APPRO G. DUBNICZKI	RESTRICTED TO
WEIGHT -	CUSTOMER DRAWING	SCALE 4:1	SHEET 1 OF 1 REV K