



LAYOUT SHOWN AS EXAMPLE

Keying Shown as example

**CHARACTERISTICS**

- Standard : Based on MIL-DTL-38999 Series III
- Shell Material : Stainless Steel
- Shell Plating : Nickel
- Insulator : Thermoplastic
- Contacts : Copper Alloy
- Seals & Grommet : Silicon Elastomer
- Contact Plating : Gold over copper Alloy 0.8µm minimum
- Durability : 500 Mating cycles
- Delivered with Souriau contacts and Accessories
- Temperature Range : -65°C to +200°C
- Salt Spray : 500 hours

| Connector dimension |                 |
|---------------------|-----------------|
| Dim                 | Nominal         |
| A                   | 58.7±0.3        |
| B                   | 42.85+0.1/-0.15 |
| R                   | 32.5Max         |
| S                   | 55.6±0.4        |
| W                   | 3+0.9/-0.1      |
| VV THREAD           | M37x1-6g        |

SOURIAU shall not be liable for any non-conformity or damage due to a use of the Products which does not comply with the Specifications issued by either of the Parties or by a third party (professional recommendation, technical notice.)

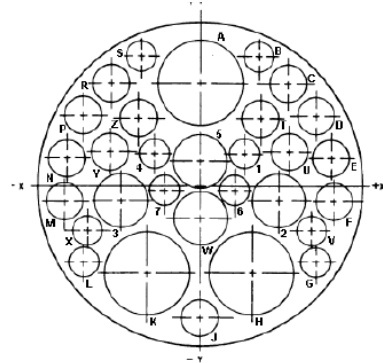
|         |                             |
|---------|-----------------------------|
| Country | Jurisdiction & Control List |
| FR      | Not Listed                  |

**PN: 8D725S20SA**

|                |   |                            |   |
|----------------|---|----------------------------|---|
| A              | 04-10-2016                                  | First Release              |   |
| ISS            | DATE  | Latest modification - by   | MOD N°  |
| Designed By:   |   | Date:                      | <b>CUSTOMER DRAWING</b>   |
| <b>TITLE</b>   | <b>Stainless Steel Receptacle 8D series</b> |                            |   |
| SCALE          |   | General linear Tolerances: | NPRDS / PROJECT   |
| NA             |   | ±--                        | <b>859</b>  |
| <b>SOURIAU</b> | <b>WWW.SOURIAU.COM</b>                      |                            | This document is the property of SOURIAU it must not be reproduced or communicated without permission |
| FORMAT         | <b>SOURIAU DRG N° 8D725S20SA-C</b>          |                            | SHEET   |
| <b>A3</b>      |   |                            | <b>1/2</b>  |

|                |                                    |   |   |    |   |    |   |   |                 |
|----------------|------------------------------------|---|---|----|---|----|---|---|-----------------|
| BASIC SERIES:  | 8D                                 | 7 | - | 25 | S | 20 | S | A | ORIENTATION : A |
| SHELL TYPE :   | Jam nut Receptacle                 |   |   |    |   |    |   |   |                 |
| CONTACT TYPE : | Standard Crimp Contact             |   |   |    |   |    |   |   |                 |
| SHELL SIZE :   | 25                                 |   |   |    |   |    |   |   |                 |
| PLATING :      | S = Nickel                         |   |   |    |   |    |   |   |                 |
|                | CONTACT TYPE : SOCKET(500 Matings) |   |   |    |   |    |   |   |                 |
|                | CONTACT LAYOUT : 25-20             |   |   |    |   |    |   |   |                 |

Contact Layout



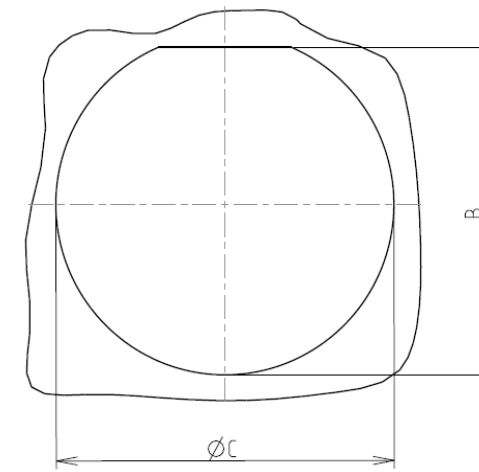
| Contacts<br>(Insert arrangement 25-20) |              |              |                     |              |              |
|--|--------------|--------------|---------------------|--------------|--------------|
| Contact position ID                    | Location     |              | Contact position ID | Location     |              |
|  | X-axis (mm)  | Y-axis (mm)  |                     | X-axis (mm)  | Y-axis (mm)  |
| A                                      | +000 (0.00)  | +407 (10.34) | S                   | -234 (5.94)  | +511 (12.98) |
| B                                      | +234 (5.94)  | +511 (12.98) | T                   | +243 (6.17)  | +270 (6.86)  |
| C                                      | +352 (8.94)  | +411 (10.44) | U                   | +357 (9.07)  | +136 (3.45)  |
| D                                      | +466 (11.84) | +275 (6.99)  | V                   | +450 (11.43) | -183 (4.65)  |
| E                                      | +530 (13.46) | +111 (2.82)  | W                   | +000 (0.00)  | -131 (3.33)  |
| F                                      | +537 (13.64) | -060 (1.52)  | X                   | -450 (11.43) | -183 (4.65)  |
| G                                      | +467 (11.86) | -312 (7.92)  | Y                   | -357 (9.07)  | +136 (3.45)  |
| H                                      | +208 (5.28)  | -353 (8.97)  | Z                   | -243 (6.17)  | +270 (6.86)  |
| J                                      | +000 (0.00)  | -541 (13.74) | 1                   | +195 (4.95)  | +115 (2.92)  |
| K                                      | -208 (5.28)  | -353 (8.97)  | 2                   | +317 (8.05)  | -061 (1.55)  |
| L                                      | -467 (11.86) | -312 (7.92)  | 3                   | -317 (8.05)  | -061 (1.55)  |
| M                                      | -537 (13.64) | -060 (1.52)  | 4                   | -195 (4.95)  | +115 (2.92)  |

| Contacts<br>(insert arrangements 25-20) |              |              |                     |             |             |
|---|--------------|--------------|---------------------|-------------|-------------|
| Contact position ID                     | Location     |              | Contact position ID | Location    |             |
|   | X-axis (mm)  | Y-axis (mm)  |                     | X-axis (mm) | Y-axis (mm) |
| N                                       | -530 (13.46) | +111 (2.82)  | 5                   | +000 (0.00) | +099 (2.51) |
| P                                       | -466 (11.84) | +275 (6.99)  | 6                   | +141 (3.58) | -018 (0.46) |
| R                                       | -352 (8.94)  | +411 (10.44) | 7                   | -141 (3.58) | -018 (0.46) |

| Shell size | Arrangement no. | Number of contacts          | Size contacts | Service rating | Contact location                      | Standard contact |                |
|------------|-----------------|-----------------------------|---------------|----------------|---------------------------------------|------------------|----------------|
|            |                 |                             |               |                |                                       | Pin              | Socket         |
| 25         | -20             | 3                           | 8             | Twinax         | A,H,K                                 | M39029/90-529    | M39029/91-530  |
|            |                 | 4                           | 12            | Coax           | 2,3                                   | M39029/28-211    | M39029/75-416  |
|            |                 | 13                          | 16            | N              | W,5                                   | M39029/102-558   | M39029/103-559 |
|            |                 |                             |               |                | C,D,E,F,<br>J,M,N,P,<br>R,T,U,Y,<br>Z | M39029/58-364    | M39029/56-352  |
| 10         | 20              | B,G,L,S,<br>V,X,1,4,<br>6,7 | M39029/58-363 | M39029/56-351  |                                       |                  |                |

Panel cutout

JAM NUT RECEPTACLE (TYPE 7)



| Dim | Nominal       |
|-----|---------------|
| B   | 43.43+0/-0.25 |
| ØC  | 44.7+0.25/-0  |

SOURIAU shall not be liable for any non-conformity or damage due to a use of the Products which does not comply with the Specifications issued by either of the Parties or by a third party (professional recommendation, technical notice.)

| Country | Jurisdiction & Control List |
|---------|-----------------------------|
| FR      | Not Listed                  |

PN: 8D725S20SA

|                |   |                            |   |
|----------------|---|----------------------------|---|
| A              | 04-10-2016                                  | First Release              |   |
| ISS            | DATE  | Latest modification - by   | MOD N°  |
| Designed By:   |   | Date:                      | <b>CUSTOMER DRAWING</b>   |
| <b>TITLE</b>   | <b>Stainless Steel Receptacle 8D series</b> |                            |   |
| SCALE          |   | General linear Tolerances: | NPRDS / PROJECT   |
| NA             |   | ±--                        | <b>859</b>  |
| <b>SOURIAU</b> | <b>WWW.SOURIAU.COM</b>                      |                            | This document is the property of SOURIAU it must not be reproduced or communicated without permission |
| FORMAT         | <b>SOURIAU DRG N° 8D725S20SA-C</b>          |                            | SHEET 2/2   |