

THIS DRAWING IS UNPUBLISHED.

RELEASED FOR PUBLICATION

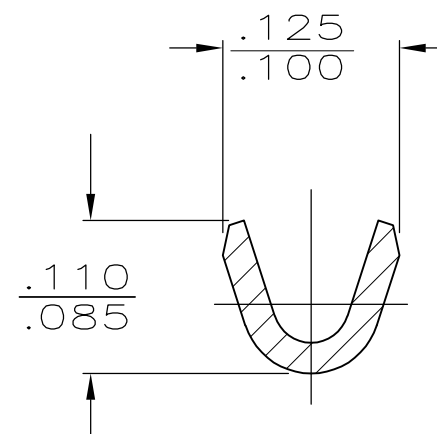
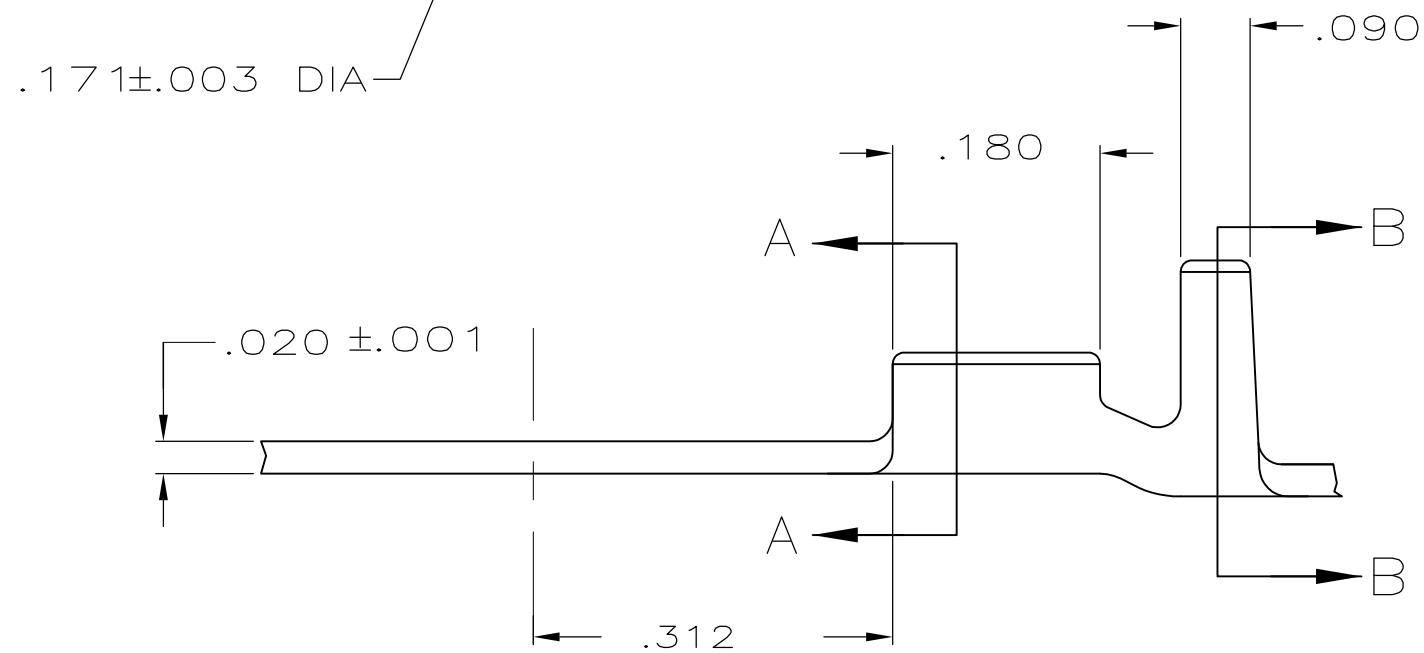
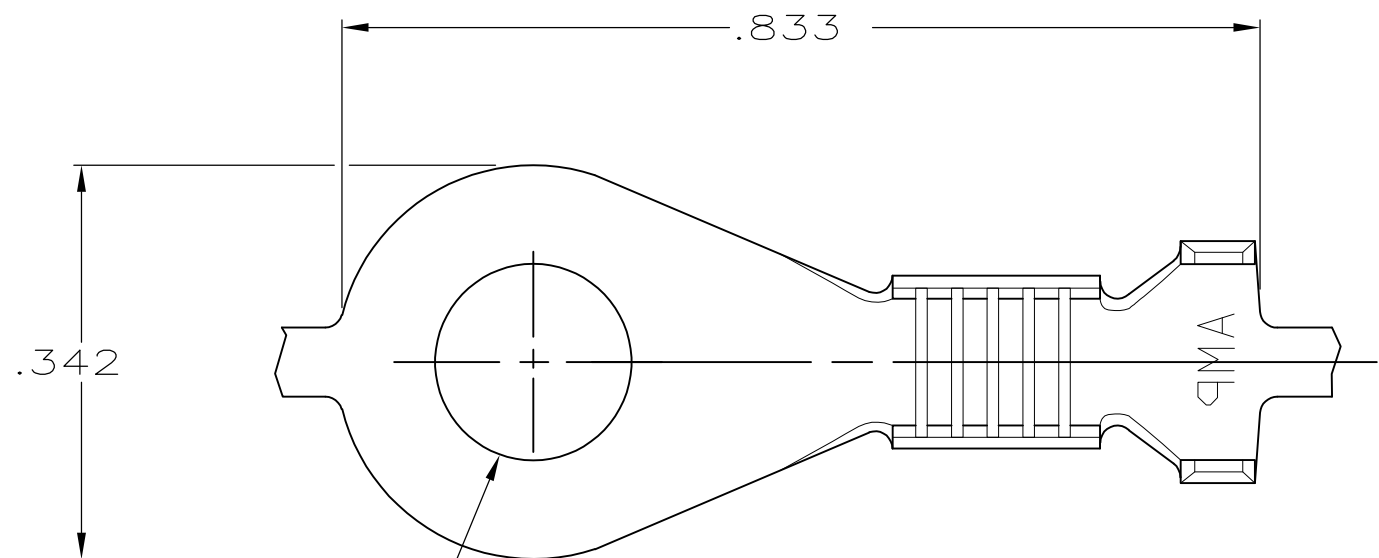
© COPYRIGHT - By TYCO ELECTRONICS CORPORATION.

ALL RIGHTS RESERVED.

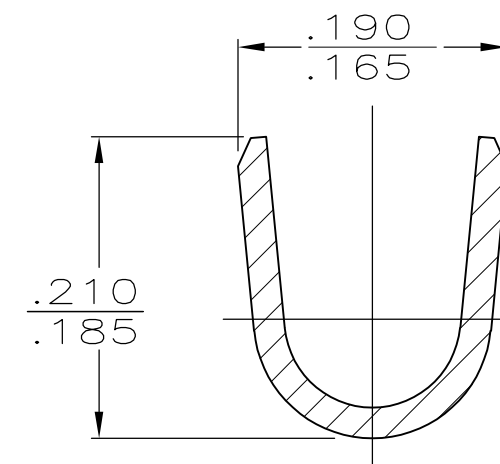
LOC AF DIST 50

REVISIONS

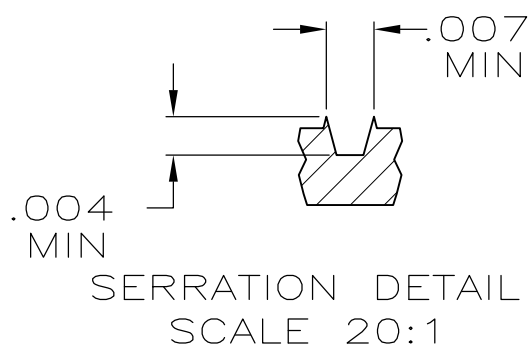
P	LTR	DESCRIPTION	DATE	DWN	APVD
G		REVISE PER ECR-13-013738	15FEB2014	GRZ	JL



SECTION A-A  
SCALE 8:1



SECTION B-B  
SCALE 8:1



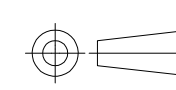
TIN PL	.100-.140	23-19	60321-2
FINISH	INSULATION RANGE	MAGNET WIRE SIZE	PART NO

THIS DRAWING IS A CONTROLLED DOCUMENT.

DWN P Fortney 6/4/87

DIMENSIONS:  
INCHES

TOLERANCES UNLESS  
OTHERWISE SPECIFIED:



0 PLC	± -
1 PLC	± -
2 PLC	± -
3 PLC	± .015
4 PLC	± -
ANGLES	± -

MATERIAL  
BRASS

FINISH  
SEE TABLE

CHK -

APVD -

PRODUCT SPEC -

APPLICATION SPEC -

WEIGHT -

CUSTOMER DRAWING



NAME  
RING,AMPLIVAR

SIZE  
A3

CAGE CODE  
00779

DRAWING NO  
C-60321

RESTRICTED TO  
-

SCALE 6:1 SHEET 1 OF 1 REV H