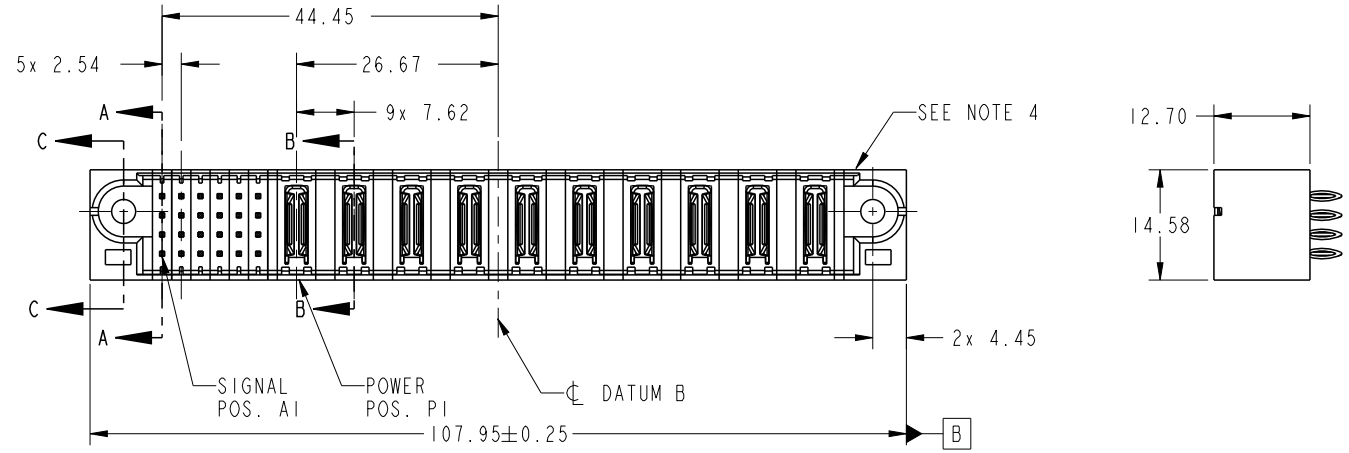


PRODUCT NO.	ROWS	SIGNAL						POWER										E2
		E1	1	2	3	4	5	6	P1	P2	P3	P4	P5	P6	P7	P8	P9	
51952-238-- NOTE ③	D C B A		G	G	G	G	G	X	PC	PC	PC	PC	X	PC	PC	PC	PC	



CODE	DIM "M" MATING LENGTH	CONTACT TYPE
PC	[N/A]	POWER
G	[6.86]	SIGNAL

spec ref	See Notes			dr	Luo Weller	2013/01/10	projection 	MM ←→	size	A4	scale	1:1		
tolerance std	TOLERANCES UNLESS OTHERWISE SPECIFIED			eng	Luo Weller	2013/02/04			ecn no	-				
See Notes				chr	-	-			rel level	Released				
surface ✓	linear	0.X	±0.50		title	24S+10ACP	www.fci.com	cat. no.	&model_name	Product - Customer Drw	dwg no	51952-238	rev	A
		0.XX	±0.25											
		0.XXX	±0.10											
angular	0°	±2°	www.fci.com	cat. no.	&model_name	Product - Customer Drw	sheet 1 of 4							



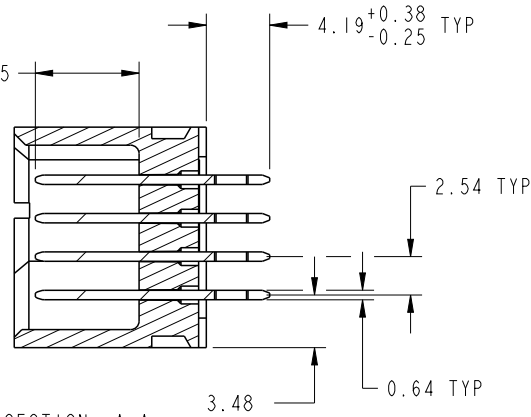
Copyright FCI.

PrdE File - REV C - 2009-06-09

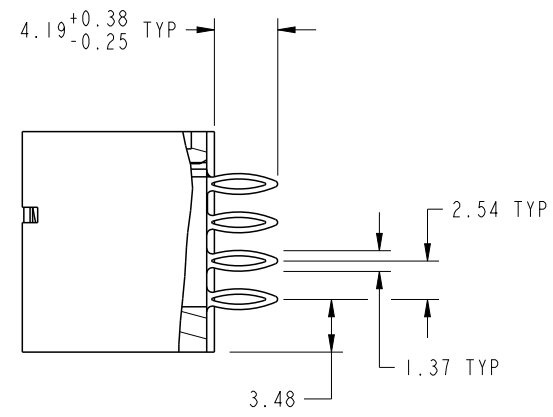
PRODUCT NUMBER

51952-238--
NOTE 3

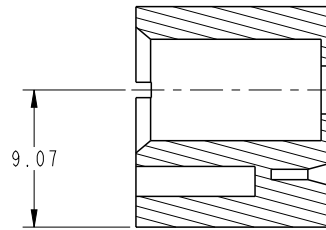
DIM "M" ±0.25



SECTION A-A
SCALE 2:1



SECTION B-B
SCALE 2:1



SECTION C-C
SCALE 2:1

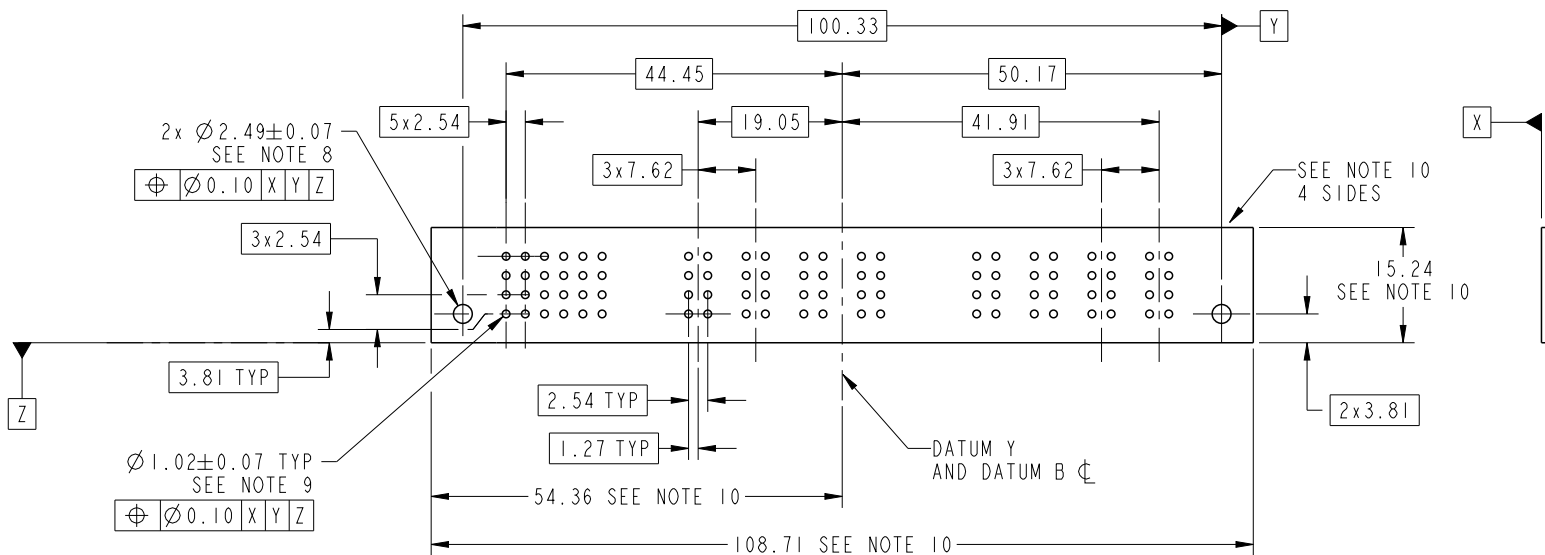
dr	Luo Weller	2013/01/10	projection 	MM 	size	A4	scale	1:1
eng	Luo Weller	2013/02/04			ecn no	-		
chr	-	-			product family	PwrBlade	rel level	Released
appr	Pei-Ming Zheng	2013/02/04			title 24S+10ACP VERTICAL PRESS-FIT HEADER	dwg no 51952-238	rev A	
www.fci.com		cat. no.	&model_name	Product - Customer Drw	sheet 2 of 4			



Copyright FCI.

PRODUCT NUMBER

51952-238__
NOTE 3



RECOMMENDED PCB LAYOUT

dr	Luo Weller	2013/01/10	projection 	MM 	size	A4	scale	1:1	
eng	Luo Weller	2013/02/04			ecn no	-			
chr	-	-			rel level	Released			
appr	Pei-Ming Zheng	2013/02/04	product family	PwrBlade					
		title	24S+10ACP VERTICAL PRESS-FIT HEADER		dwg no	51952-238		rev	A
www.fci.com		cat. no.	&model_name	Product - Customer Drw		sheet 3 of 4			



PRODUCT NUMBER

51952-238__
NOTE 3

NOTES:

1. DIMENSIONS AND TOLERANCES ARE IN ACCORDANCE WITH ASME Y14.5M, 1994 UNLESS OTHERWISE SPECIFIED.

CONNECTOR NOTES:

- ② HOUSING MATERIAL: UL 94 V-0 GLASS FILLED HIGH-TEMP THERMOPLASTIC
POWER CONTACT MATERIAL: COPPER ALLOY
SIGNAL PIN MATERIAL: COPPER ALLOY
- 3. SEE ITEM 3 & 4 IN PRINT 10064183 FOR PLATING SPEC OF 51952-238 AND 51952-238LF RESPECTIVELY.
- ④ MANUFACTURER'S NAME, DATE CODE AND OPTIONAL P/N TO APPEAR ON THIS SURFACE. THE MARK CAN BE OMITTED IF THERE IS NOT ENOUGH SPACE ON THIS SURFACE.
- 5. PRODUCT SPECIFICATION GS-12-149.
APPLICATION SPECIFICATION BUS-20-067.

6. PACKAGED IN TRAYS.

PCB NOTES:

- 7. ALL HOLE DIAMETERS ARE FINISHED HOLE SIZE.
- 8. MOUNTING HOLES, WHERE APPLICABLE, ARE UNPLATED.

⑨ $\varnothing 1.151 \pm 0.025$ DRILLED HOLES PLATED WITH 0.008 MIN SnPb OR Sn OVER .001 [0.03] TO 0.08 Cu PLATING TO ACHIEVE $\varnothing 1.02 \pm 0.07$ HOLE.

⑩ CONNECTOR KEEP-OUT ZONE.

11. FOR PRESS FIT APPLICATION USE FCI CAM TOOL 430169-XXX.



Copyright FCI.

dr	Luo Weller	2013/01/10	projection 	MM 	size	A4	scale	1:1		
eng	Luo Weller	2013/02/04			ecm no	-				
chr	-	-			product family	PwrBlade	rel level	Released		
appr	Pei-Ming Zheng	2013/02/04	FCI		title	24S+10ACP	dwg no	51952-238	rev	A
www.fci.com		cat. no.	&model_name	Product - Customer Drw		sheet 4 of 4				