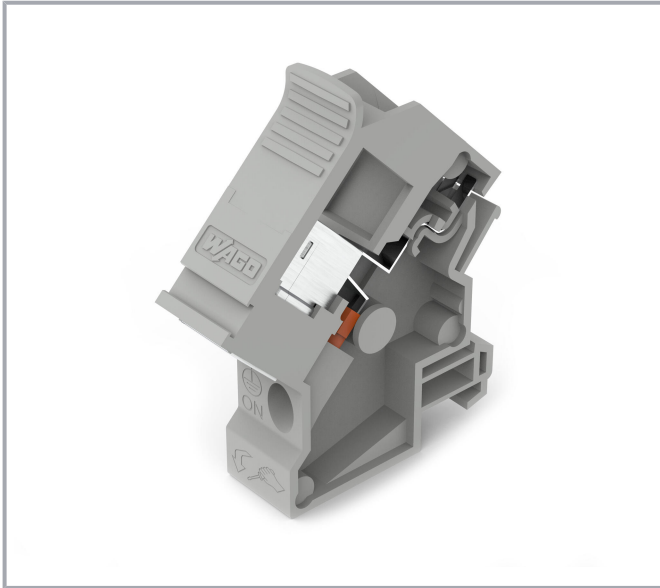


## Data sheet | Item number: 289-198

Coupler module; 2xRJ-45; Cat. 6A; in mounting carrier; with shield connection



[www.wago.com/289-198](http://www.wago.com/289-198)



### Data

#### Electrical data

Contact resistance	200 mΩ
Specialty functions	with shield connection

#### Safety and protection

Protection type	IP20
-----------------	------

#### Connection data

Mating cycles	750
Connection cable	Cat. 6A (min.)

#### Connection 1

Connector	RJ-45 (shielded)
Pole number 1	8
Connection type 1	System

Subject to changes. Please also observe the further product documentation!

WAGO GmbH & Co. KG  
Hansastr. 27  
32423 Minden  
Phone: +49571 887-0 | Fax: +49571 887-169  
Email: [info.de@wago.com](mailto:info.de@wago.com) | Web: [www.wago.com](http://www.wago.com)

Do you have any questions about our products?  
We are always happy to take your call at +49 (571) 887-44222.



Connection type	RJ-45
-----------------	-------

## Connection 2

Connector 2	RJ-45 (shielded)
Pole number 2	8
Connection type 2	System

## Physical data

Width	18 mm / 0.709 inches
Height	90 mm / 3.543 inches
Depth from upper-edge of DIN-rail	59 mm / 2.323 inches

## Mechanical Data

Mounting type	DIN-35 rail
Housing design	Mounting carrier
Mating cycles	750

## Material Data

Contact plating (connector)	Au over Ni
Contact material (connector)	Spring steel
Material (plug-in module)	Zinc die casting
Material (DIN-rail adapter)	PC-GF10
Weight	34 g

## Environmental requirements

Ambient temperature (operation)	-10 ... +60 °C
Ambient temperature (storage)	-40 ... +70 °C
Relative humidity	95% (non-condensing)

## Commercial data

ETIM 8.0	EC002780
ETIM 7.0	EC002780
PU (SPU)	1 pcs
Packaging type	bag
Country of origin	PL
GTIN	4066966083491

Subject to changes. Please also observe the further product documentation!

WAGO GmbH & Co. KG  
 Hansastr. 27  
 32423 Minden  
 Phone: +49571 887-0 | Fax: +49571 887-169  
 Email: [info.de@wago.com](mailto:info.de@wago.com) | Web: [www.wago.com](http://www.wago.com)

Do you have any questions about our products?  
 We are always happy to take your call at +49 (571) 887-44222.



Customs tariff number 85369010000

---

## Environmental Product Compliance

RoHS Compliance Status Compliant, No Exemption

---

## Downloads Documentation

### Bid Text

289-198 X81 - Datei	xml 3.8 kB	Download
------------------------	---------------	----------

---

289-198 doc - Datei	docx 15.1 kB	Download
------------------------	-----------------	----------

---

## CAD/CAE-Data

### CAD data

2D/3D Models 289-198	URL	Download
----------------------	-----	----------

---

### CAE data

EPLAN Data Portal 289-198	URL	Download
---------------------------	-----	----------

---

## Environmental Product Compliance

### Compliance Search

Environmental Product Compliance 289-198 Coupler module; 2xRJ-45; Cat. 6A; in mounting carrier; with shield connection	URL	Download
---	-----	----------

---

## Installation Notes

Subject to changes. Please also observe the further product documentation!