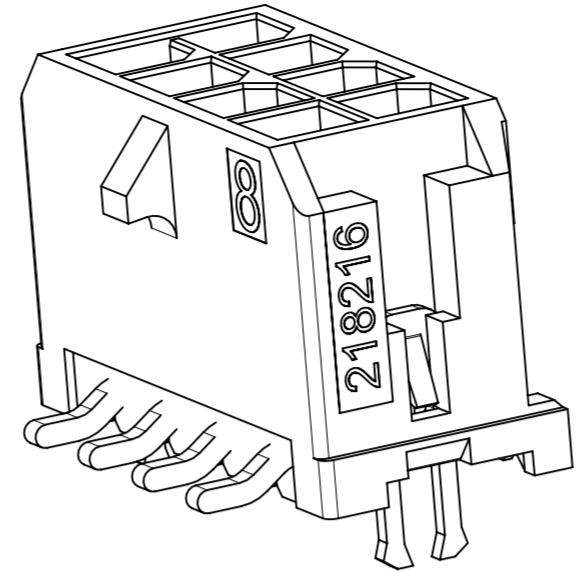


FINISH TYPE	"0" TIN	"1" 15MICROINCH GOLD	"2" 30MICROINCH GOLD	A	B	C	D
2	2182160230	2182160231	2182160232	7.16	NA	2.95	4.30
4	2182160430	2182160431	2182160432	10.16	3.00	2.95	7.30
6	2182160630	2182160631	2182160632	13.16	6.00	2.95	10.30
8	2182160830	2182160831	2182160832	16.16	9.00	7.70	13.30



LEGEND

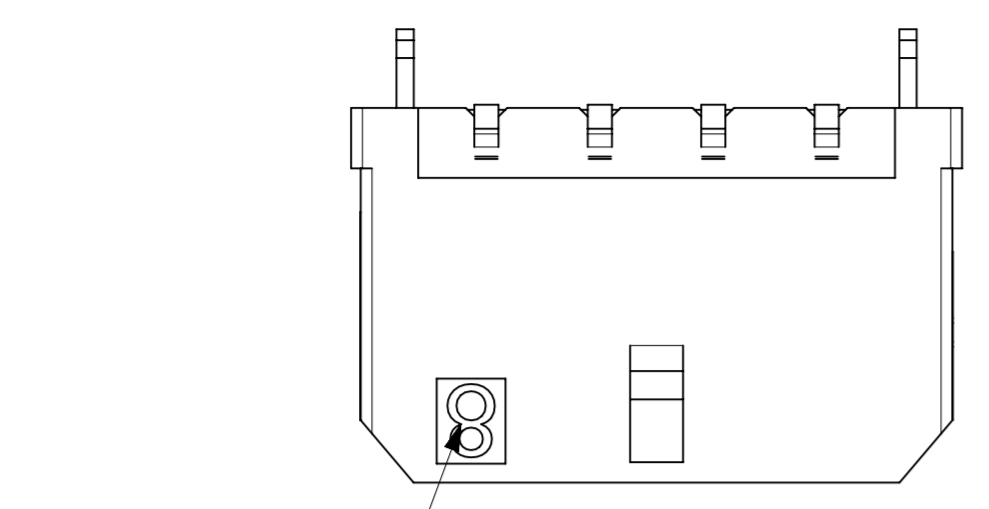
218216 - * * * *

SERIES NO. _____

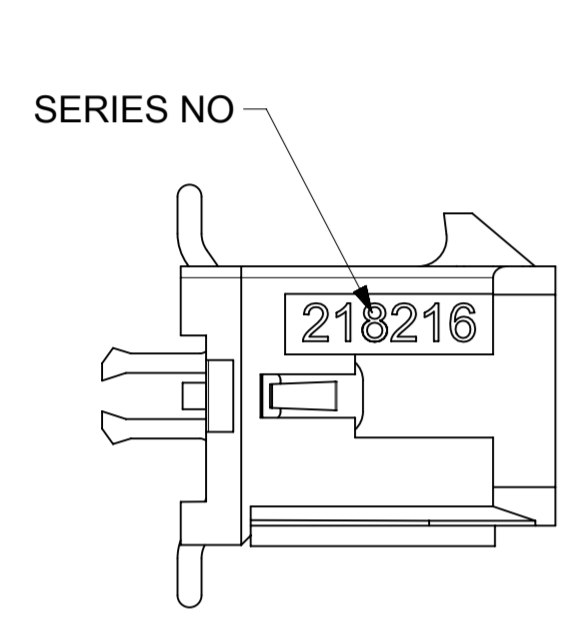
CKT NO. _____

OPTION
 0: RIGHT ANGLE WITH NAIL
 1: RIGHT ANGLE WITH CLIP
 2: VERTICAL WITH NAIL
 3: VERTICAL WITH CLIP

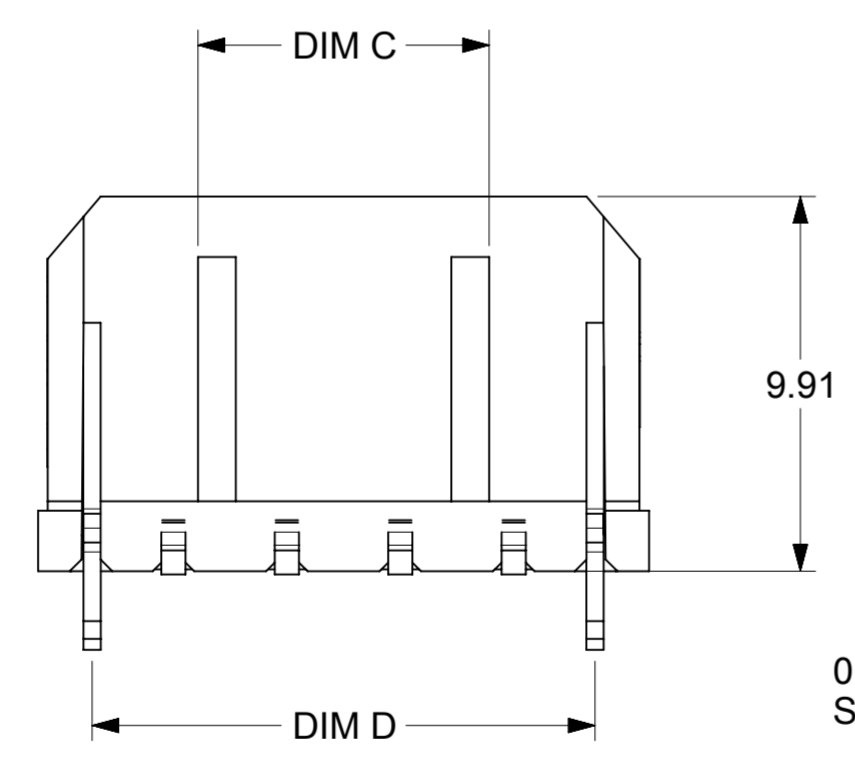
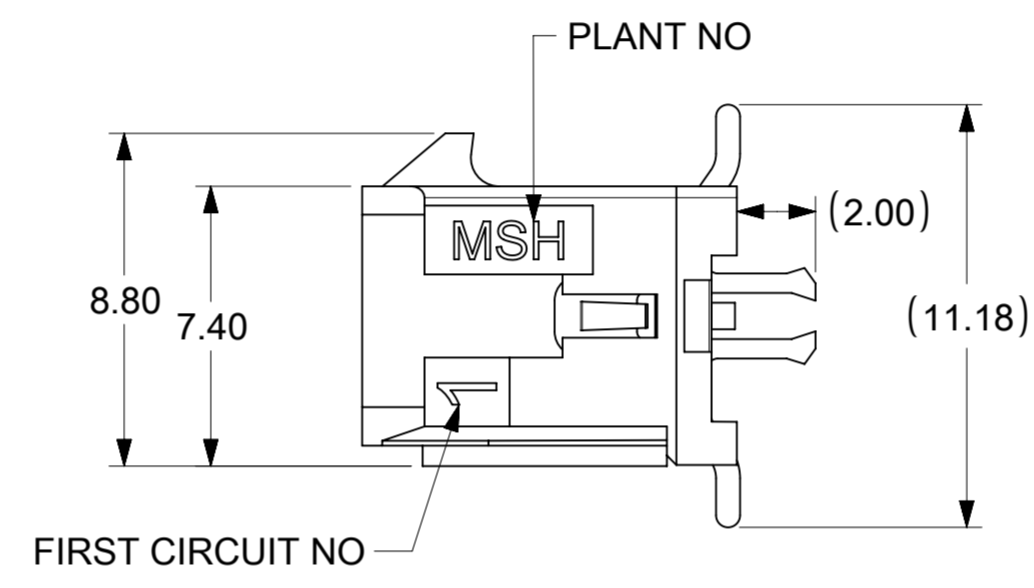
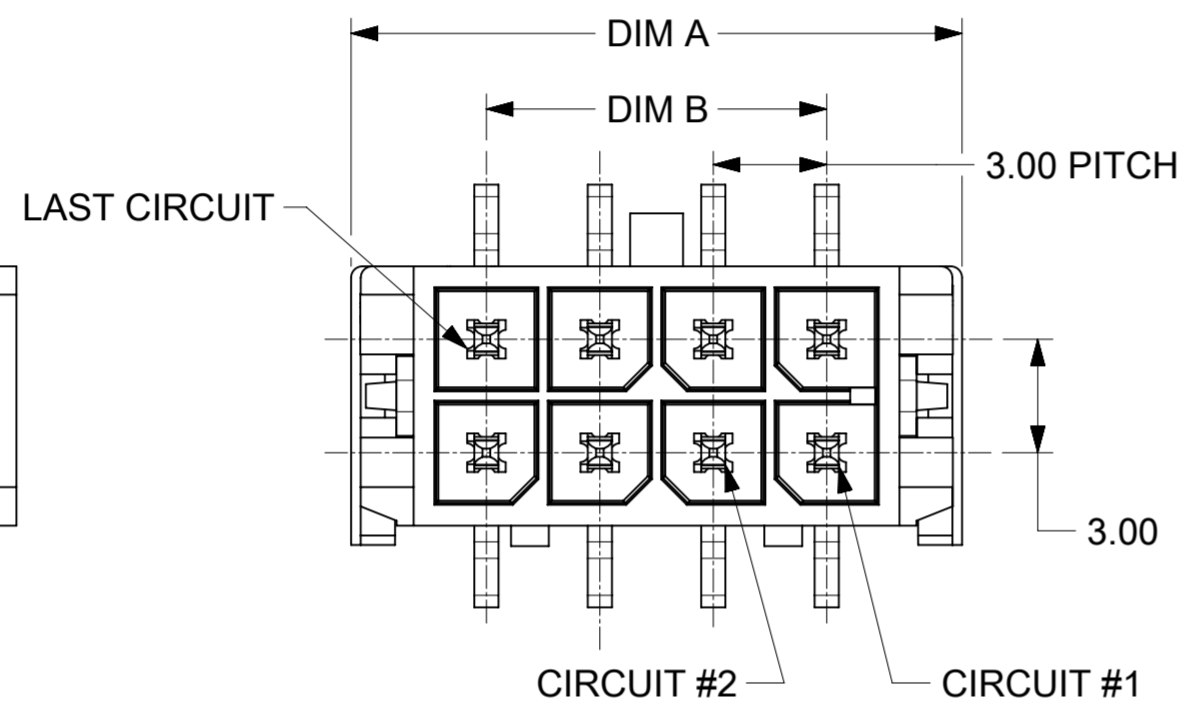
PLATING OPTION
 0: TIN
 1: 15MICROINCH AU
 2: 30MICROINCH AU



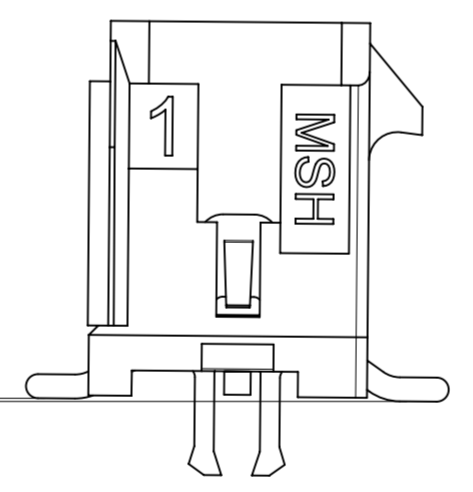
LAST CIRCUIT NO



SERIES NO

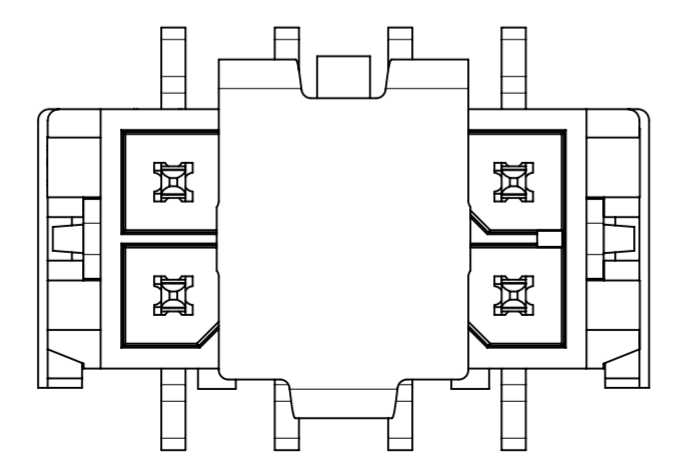


0.15 MAX
SEE NOTE 7



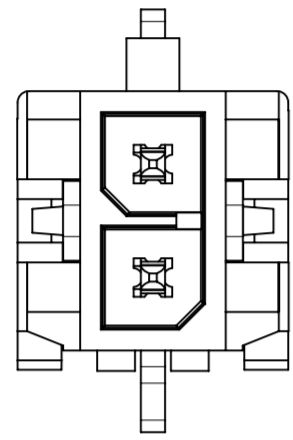
NOTES:

- HOSING MATERIAL: GLASS FILLED LIQUID CRYSTAL POLYMER, UL 94V-0, COLOR: BLACK
 TERMINAL MATERIAL: HIGH COPPER ALLOY
- FINISH:
 OPTION "0": REFLOW MATTE TIN OVER NICKEL
 OPTION "1": SELECT 15MICROINCH GOLD AND SELECT MATTE TIN OVER NICKEL.
 OPTION "2": SELECT 30MICROINCH GOLD AND SELECT MATTE TIN OVER NICKEL.
- PRODUCT SPECIFICATION : 2064600000-PS
- PRODUCT TEST SUMMARY: 2064600000-TS
- T&R PACK : 2182160001-PK
- MATE WITH RECEPTACLE 206461
- THE COPLANARITY DIMENSION IS ESTABLISHED BY PLACING THE ASSEMBLY ON A FLAT SURFACE. THE DISTANCE FROM THAT SURFACE TO THE BOTTOM OF ANY TERMINAL OR NAIL MUST NOT EXCEED 0.15
- THIS PART CONFORMS TO CLASS 'B' REQUIREMENTS OF COSMETIC SPECIFICATION PS-45499-002.

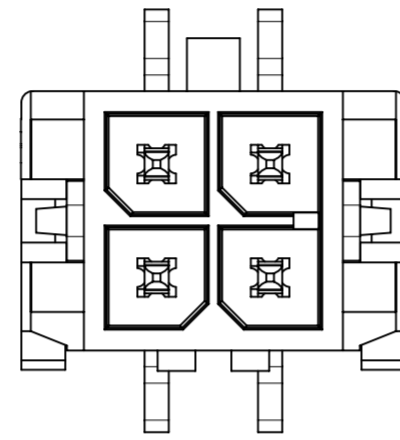


SHOWN WITH DISPOSABLE CAP (43555-000*)
SEE NOTE 5

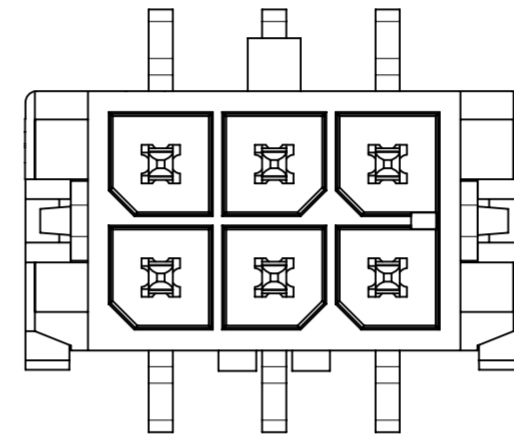
THIS DRAWING CONTAINS INFORMATION THAT IS PROPRIETARY TO MOLEX ELECTRONIC TECHNOLOGIES, LLC AND SHOULD NOT BE USED WITHOUT WRITTEN PERMISSION																	
DIMENSION UNITS		SCALE		CURRENT REV DESC:													
mm		NTS															
GENERAL TOLERANCES (UNLESS SPECIFIED)				EC NO: 724761 DRWN: ZIXUAQ 2022/09/07 CHK'D: XQZHANG 2022/10/17 APPR: XQZHANG 2022/10/17 INITIAL REVISION: DRWN: ZIXUAQ 2022/09/07 APPR: XQZHANG 2022/10/17						MICRO-FIT PLUS DUAL ROW VERTICAL SMT HEADER WITH PRESS CLIP							
ANGULAR TOL ± 3.0°										PRODUCT CUSTOMER DRAWING							
4 PLACES ±										DOCUMENT NUMBER		DOC TYPE		DOC PART		REVISION	
3 PLACES ±										2182160030-SD		PSD		000		A	
2 PLACES ± 0.25										MATERIAL NUMBER		CUSTOMER		SHEET NUMBER			
1 PLACE ± 0.36				SEE TABLE		GENERAL MARKET		1 OF 2									
0 PLACES ±																	
DRAFT WHERE APPLICABLE MUST REMAIN WITHIN DIMENSIONS				THIRD ANGLE PROJECTION		DRAWING		SERIES									
				A2-SIZE		218216											



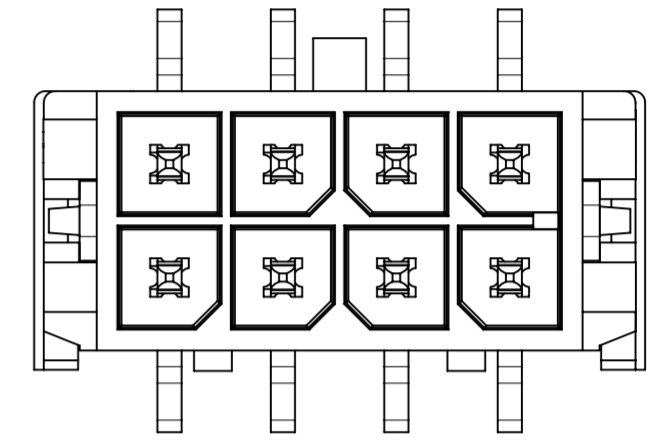
2CKT



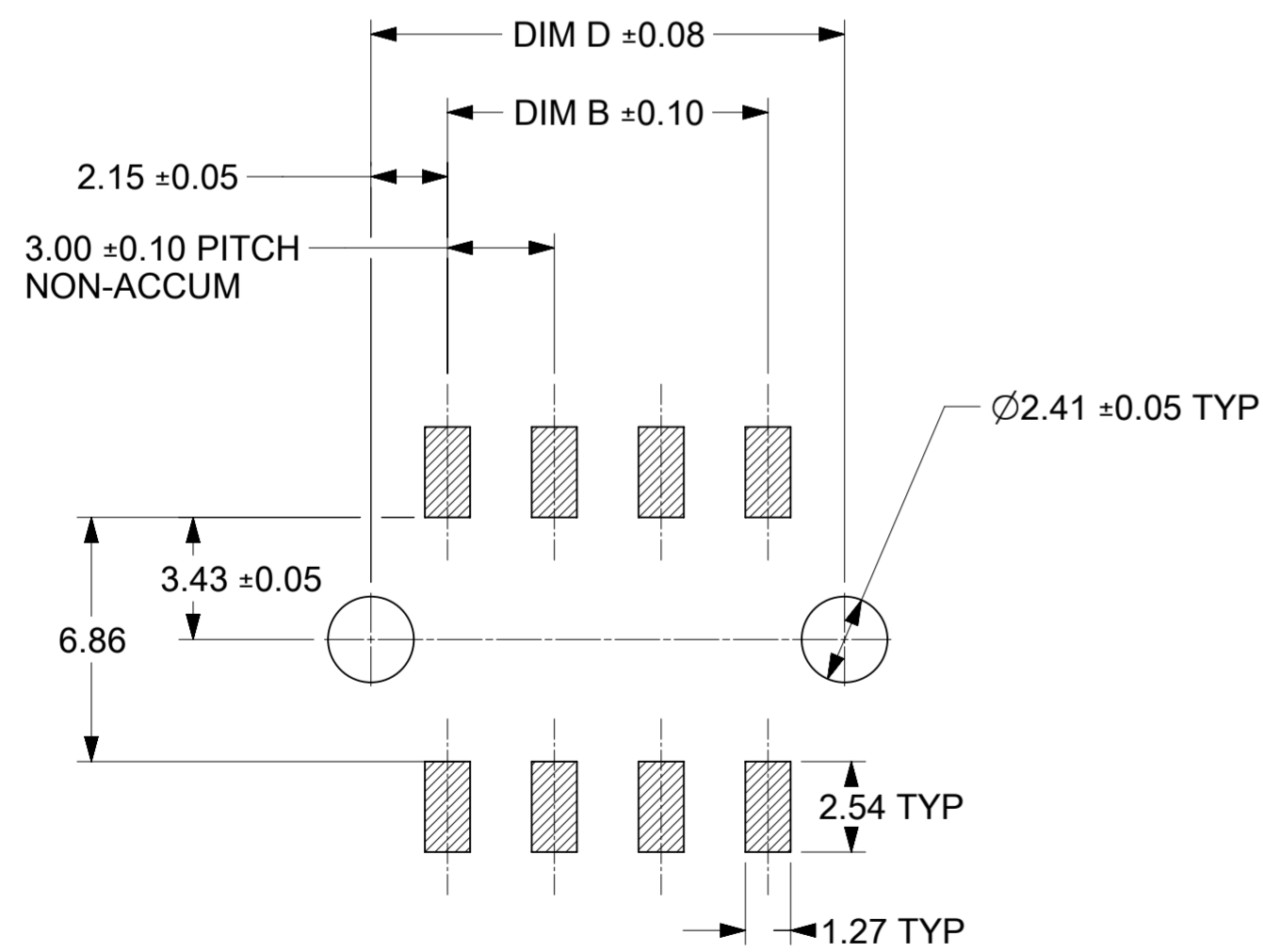
4CKT



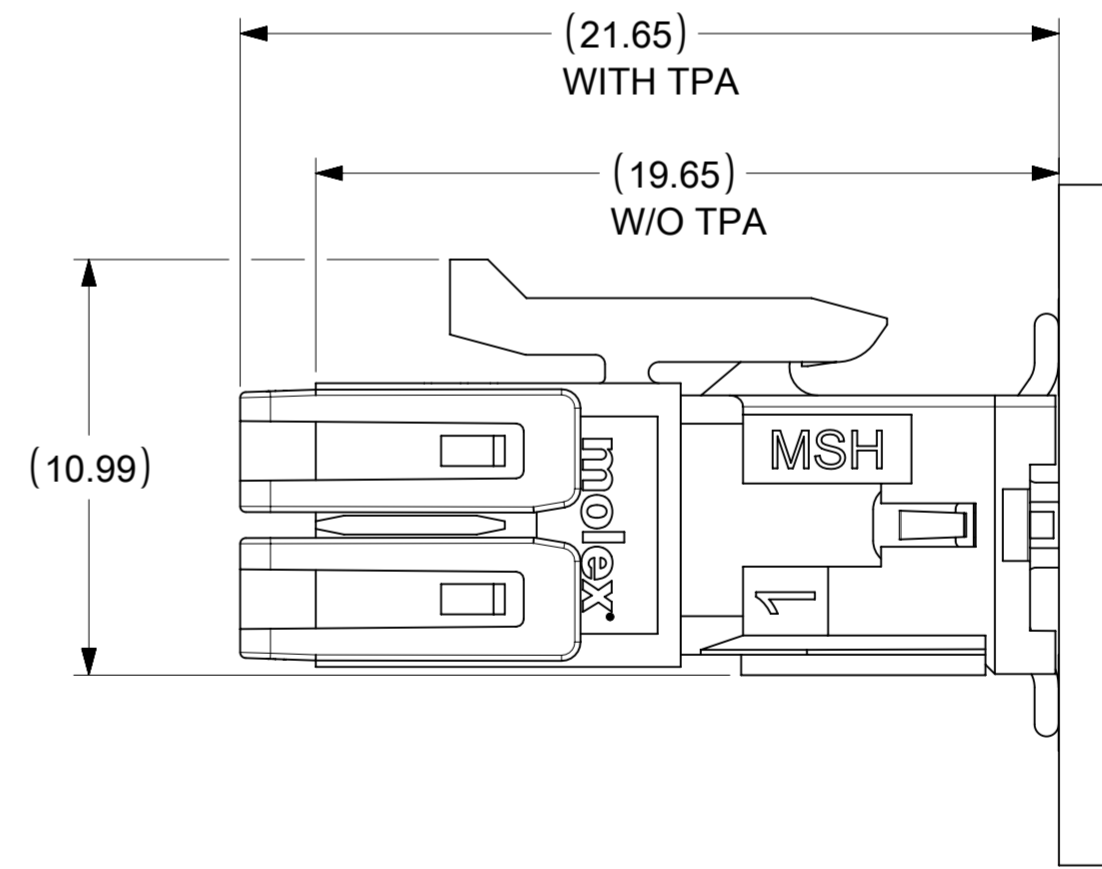
6CKT



8CKT



PCB LAYOUT: COMPONENT SIDE
 RECOMMENDED THICKNESS : 1.60 ± 0.05 MM



THIS DRAWING CONTAINS INFORMATION THAT IS PROPRIETARY TO MOLEX ELECTRONIC TECHNOLOGIES, LLC AND SHOULD NOT BE USED WITHOUT WRITTEN PERMISSION

DIMENSION UNITS	SCALE	CURRENT REV DESC:					
mm	NTS						
GENERAL TOLERANCES (UNLESS SPECIFIED)				MICRO-FIT PLUS DUAL ROW VERTICAL SMT HEADER WITH PRESS CLIP			
ANGULAR TOL	$\pm 3.0^\circ$						
4 PLACES	\pm	EC NO: 724761	2022/09/07	PRODUCT CUSTOMER DRAWING			
3 PLACES	\pm	DRWN: ZIXUAQ	2022/10/17				
2 PLACES	± 0.25	CHK'D: XQZHANG	2022/10/17	DOCUMENT NUMBER: 2182160030-SD DOC TYPE: PSD DOC PART: 000 REVISION: A			
1 PLACE	± 0.36	APPR: XQZHANG	2022/10/17				
0 PLACES	\pm	INITIAL REVISION:		MATERIAL NUMBER: SEE TABLE CUSTOMER: GENERAL MARKET SHEET NUMBER: 2 OF 2			
DRAFT WHERE APPLICABLE MUST REMAIN WITHIN DIMENSIONS		DRWN: ZIXUAQ	2022/09/07				
		APPR: XQZHANG	2022/10/17	DRAWING: A2-SIZE		SERIES: 218216	