

THIS DRAWING IS UNPUBLISHED.

RELEASED FOR PUBLICATION MARCH , 2006.

© COPYRIGHT 2006 By -

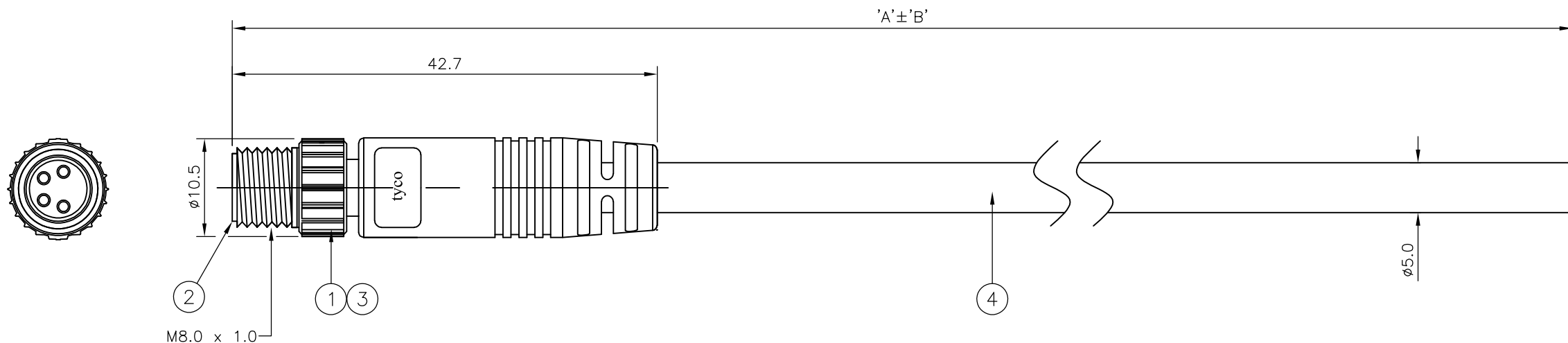
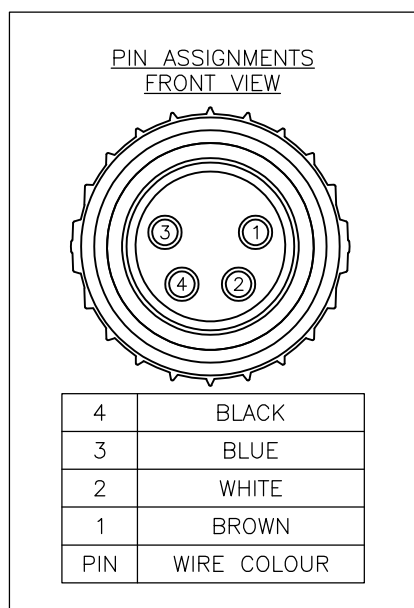
ALL RIGHTS RESERVED.

LOC	DIST	REVISIONS			
P	LTR	DESCRIPTION	DATE	DWN	APVD
E	B	C2	REVISED PER ECO-11-005294	02APR11	RK HMR
		C3	ECR-11-022038	16DEC11	RK JK

NOTES:

- ELECTRICAL DATA: CONTACT RESISTANCE: 10 mOhm MAX  
INSULATION RESISTANCE: 100 MOhm MIN at 500VDC  
CURRENT RATING: 5 AMPS  
BREAKDOWN VOLTAGE: 500 VAC MIN PER MINUTE
- ENVIRONMENTAL: OPERATING TEMPERATURE: -20°C TO +80°C  
SEALING REQUIREMENTS: IP67
- PROD SPEC: 108-3641
- PACKAGING: 107-3334
- FOR TECHNICAL DATA REFER TO YOUR LOCAL TE CONNECTIVITY SALES OFFICE
- ALL DIMENSIONS ARE NOMINAL FOR REFERENCE ONLY UNLESS OTHERWISE STATED

ITEM	DESCRIPTION	MATERIAL	FINISH/COLOUR	QTY
1	SCREW NUT	ZINC DIE CAST	2.5µm NICKEL PLATED	1
2	CONNECTOR BODY	POLYURETHANE	BLACK	1
3	PIN CONTACT	BRASS	0.15µm GOLD OVER NICKEL	4
4	4 CORE CABLE (CORES 22AWG TO UL2464)	PVC JACKET UV RESISTANT	BLACK	1



OBSOLETE	500	40 mm	M8 STRAIGHT MALE CONNECTOR 0.5m CABLE	1-1838288-1
OBSOLETE	10000	500 mm	M8 STRAIGHT MALE CONNECTOR 10.0m CABLE	1838288-5
OBSOLETE	7000	350 mm	M8 STRAIGHT MALE CONNECTOR 7.0m CABLE	1838288-4
	5000	250 mm	M8 STRAIGHT MALE CONNECTOR 5.0m CABLE	1838288-3
OBSOLETE	3000	150 mm	M8 STRAIGHT MALE CONNECTOR 3.0m CABLE	1838288-2
	2000	100 mm	M8 STRAIGHT MALE CONNECTOR 2.0m CABLE	1838288-1
	DIM A	TOL 'B'	DESCRIPTION	PART NUMBER

THIS DRAWING IS A CONTROLLED DOCUMENT.		DWN MANJUNATH.T.N 29MAR06	<b>STE</b> TE Connectivity	
DIMENSIONS: mm		CHK F.WHEELER-KING 07AUG06		
TOLERANCES UNLESS OTHERWISE SPECIFIED:		APVD F.WHEELER-KING 07AUG06	NAME M8 STRAIGHT MALE CONNECTOR WITH STRAIN RELIEF 4 POSITION, PVC CABLE	
0 PLC ± - 1 PLC ± - 2 PLC ± - 3 PLC ± - 4 PLC ± - ANGLES ± -		PRODUCT SPEC -	-	
MATERIAL -		FINISH -	APPLICATION SPEC -	RESTRICTED TO -
		WEIGHT -	SIZE A3	CAGE CODE 00779
			DRAWING NO C-1838288	
		CUSTOMER DRAWING	SCALE NTS	SHEET 1 OF 1
				REV C3