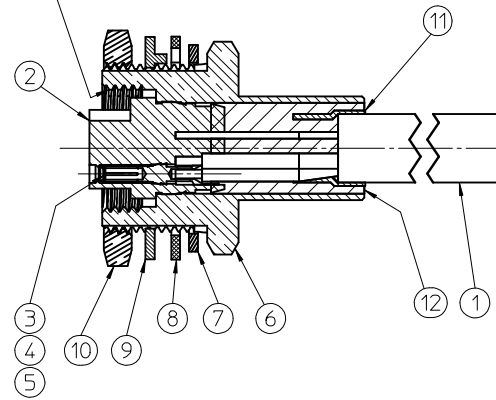
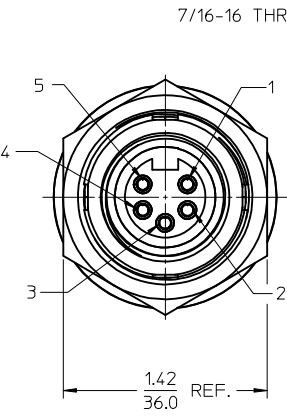
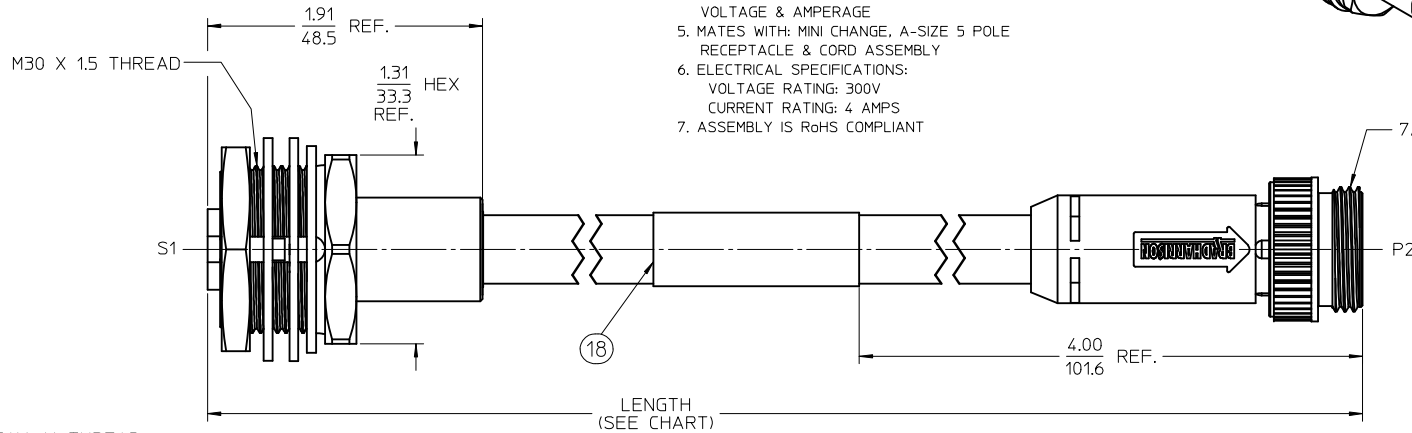
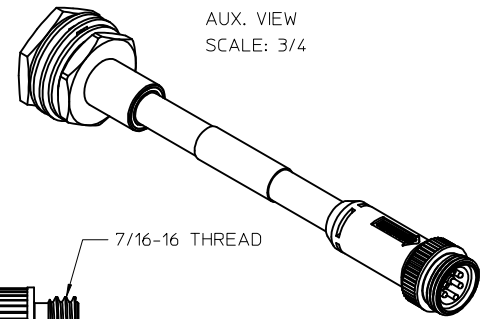
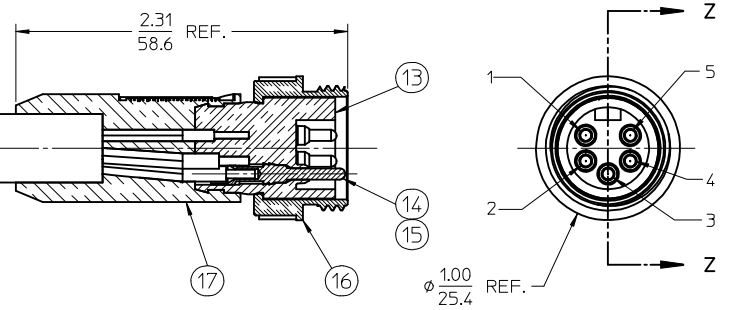


PART NUMBER	ENGINEERING NO.	LENGTH
1300390095	DN5210A-M005	1' 7.68" +1.75 - 0 [ 0.5M +44.5 - 0 ]
1300390096	DN5210A-M010	3' 3.00" +2.19 - 0 [ 1.0M +55.6 - 0 ]
1300390097	DN5210A-M020	6' 6.72" +3.50 - 0 [ 2.0M +88.9 - 0 ]

- NOTES:
1. MATERIAL: SEE TABLE
  2. FINISHES: SEE TABLE
  3. CABLE ASSEMBLIES ARE BAGGED SEPARATELY IN POLY BAGS WITH BARCODE LABEL ATTACHED TO OUTSIDE OF BAG
  4. WRAP LABEL IS MARKED WITH P/N, DATE CODE VOLTAGE & AMPERAGE
  5. MATES WITH: MINI CHANGE, A-SIZE 5 POLE RECEPTACLE & CORD ASSEMBLY
  6. ELECTRICAL SPECIFICATIONS:  
VOLTAGE RATING: 300V  
CURRENT RATING: 4 AMPS
  7. ASSEMBLY IS RoHS COMPLIANT



Section Z-Z



SI		P2
1	DRAIN	1
2	RED +V	2
3	BLACK -V	3
4	WHITE CAN H	4
5	BLUE CAN L	5

WIRING DIAGRAM

ITEM	QTY.	DESCRIPTION	MATERIAL	FINISH
18	1	LABEL	PLASTIC FILM	BLACK/YELLOW
17	1	OVERMOLD	PVC	GRAY
16	1	COUPLING NUT, MALE	ZINC DIE CAST	BLACK
15	3	CONTACT PIN, 18 AWG	BRASS	GOLD PLATED
14	2	CONTACT PIN, 16 AWG	BRASS	GOLD PLATED
13	1	INSERT, MALE, 5 POLE	PVC	GRAY
12	1	POTTING	EPOXY	BLACK
11	1	SHRINK TUBE	POLYOLEFIN	
10	1	HEXNUT	BRASS	NICKEL PLATED
9	1	THRUST WASHER	ZINC	NICKEL PLATED
8	1	FLAT WASHER	NYLON	WHITE
7	1	GASKET	NITRILE	BLACK
6	1	RECEPTACLE SHELL	BRASS	NICKEL PLATED
5	5	SOCKET SLEEVE	ST. STEEL	
4	3	CONTACT SOCKET, 18 AWG	BRASS	GOLD PLATED
3	2	CONTACT SOCKET, 16 AWG	BRASS	GOLD PLATED
2	1	INSERT, FEMALE, 5 POLE	PVC	GRAY
1	1	CABLE, DEV-NET, TRUNK, 18/2, 15/2	PVC JACKET	GRAY

RELEASED	EC NO: MNA2009-0778	DRWNR:STONE	2009/05/29
	CHKD:R. WOODMAN	APPR:J.MURPHY	2009/06/10
	DESCRIPTION		
	QUALITY SYMBOLS		
	GENERAL TOLERANCES (UNLESS SPECIFIED)		
		mm	INCH
	4 PLACES	± ---	± ---
	3 PLACES	± ---	± ---
	2 PLACES	± ---	± .01
	1 PLACE	± 0.3	± ---
	ANGULAR ± 1/2°		
	DRAFT WHERE APPLICABLE MUST REMAIN WITHIN DIMENSIONS		
	MATERIAL NO.		
	SEE CHART		
	SIZE		

DIMENSION STYLE		SCALE	DESIGN UNITS	THIRD ANGLE PROJECTION
IN/MM		1.5:1	INCH	
DRAWN BY	DATE	TITLE		
R.STONE	2009/05/27	MINI-CHANGE, CORD/RECEPT M/F STRAIGHT		
CHECKED BY	DATE	DEV-NET, TRUNK CABLE		
B.WOODMAN	2009/05/29	MOLEX INCORPORATED		
APPROVED BY	DATE	DOCUMENT NO.		
J.MURPHY	2009/06/05	SD-130039-005		
SHEET NO.		1 OF 1		

THIS DRAWING CONTAINS INFORMATION THAT IS PROPRIETARY TO MOLEX INCORPORATED AND SHOULD NOT BE USED WITHOUT WRITTEN PERMISSION	
---	--