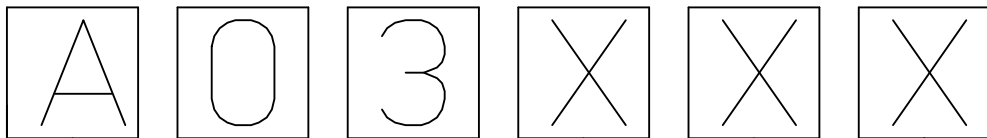


10 9 8 7 6 5 4 3 2 1



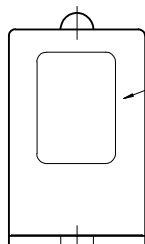
RODZAJ POLACZENIA/INTERNAL CIRCUIT  
PATRZ SCHEMATY POLACZEN/WIRING CONFIGURATION  
NAPIECIE ORAZ KOLOR DIODY/VOLTAGE AND LED COLOUR:

1= 12V	A= 12V	G= 12V
2= 24V	B= 24V	H= 24V
3= 48V	C= 48V	K= 48V
4= 115V	D= 115V	L= 115V
5= 230V	E= 230V	M= 230V

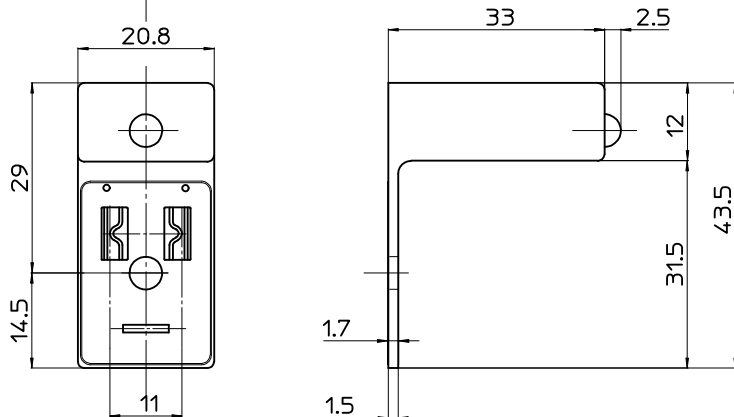
CZERWONA DIODA  
RED LED

ZIELONA DIODA  
GREEN LED

ZOLTA DIODA  
YELLOW LED

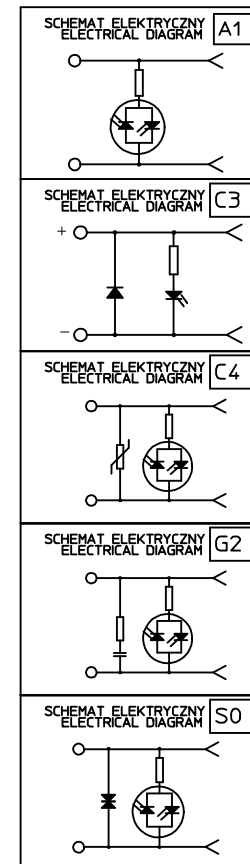


TAMPONADRUK SCHEMATU (BIALY)  
CIRCUIT PRINTOUT (WHITE)



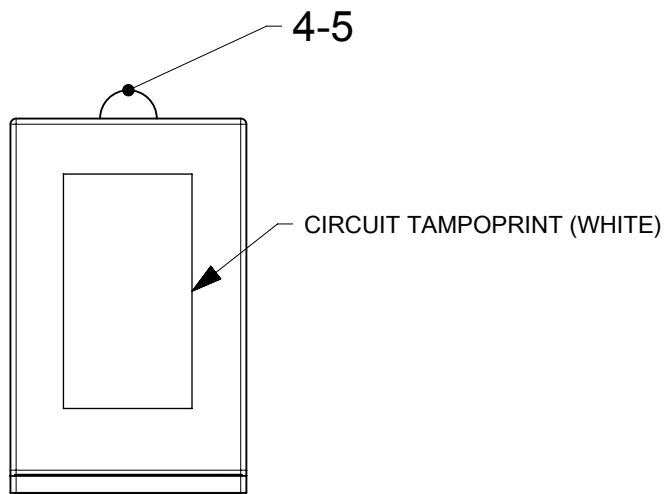
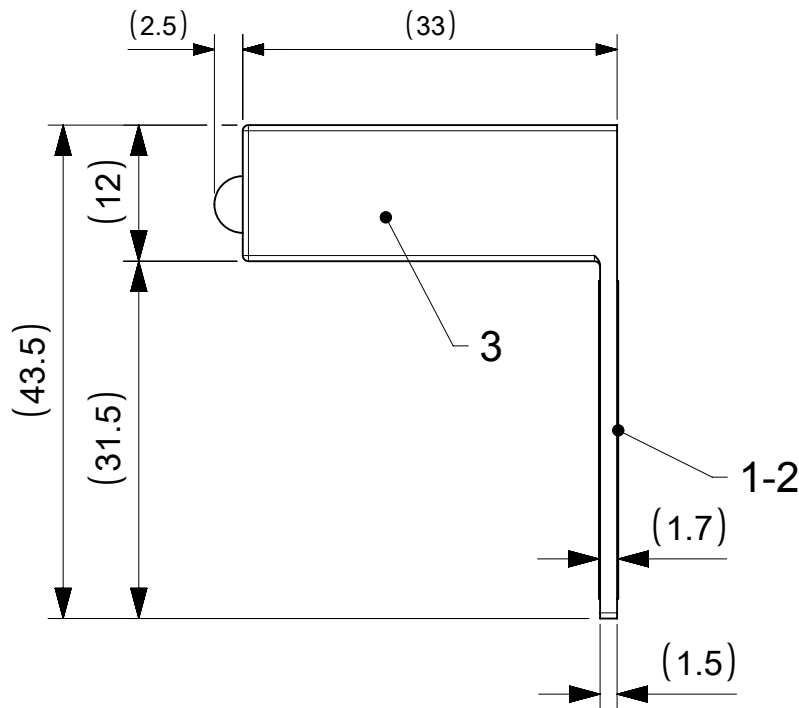
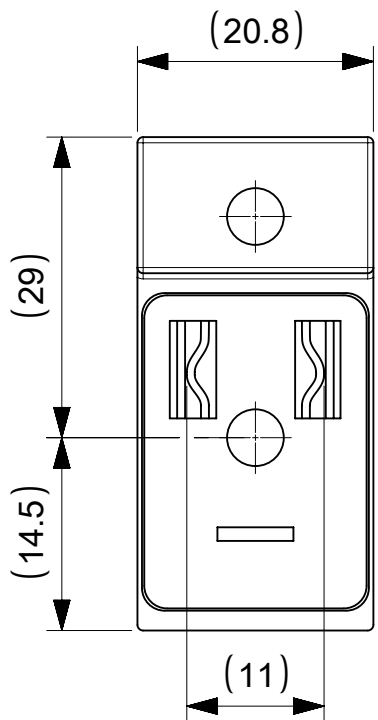
MOLEX PN	MPM PN	MOLEX PN	MPM PN
1210010077	A03A12	1210010107	A03G2D
1210010079	A03A14	1210010109	A03G2H
1210010089	A03C3B	1210010110	A03G2L
1210010091	A03C42	1210010081	A03A1H
1210010093	A03C44	1210010085	A03C32
1210010094	A03C45	1210010424	A03C3H
1210010095	A03C4B	1210010099	A03C4L
1210010098	A03C4H	1210010100	A03C4M
1210010102	A03G22		

SCHEMATY POLACZEN  
/WIRING CONFIGURATION

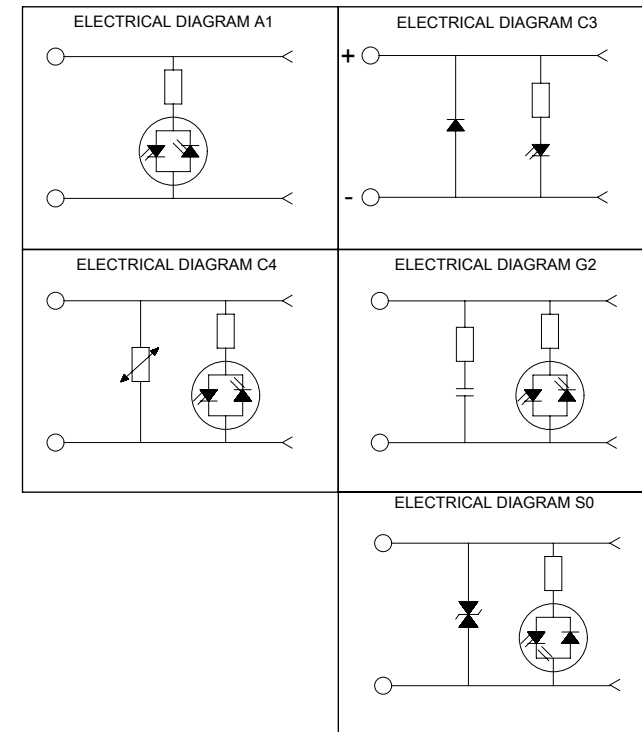


ORIGINAL RELEASE EC NO: WEU2009-0479 DRWIN: MWOLSZCZAK 2009/05/20 CHYKD: MDABROWSKA 2009/05/20 APPR: GOGRODNIK 2009/05/20	QUALITY SYMBOLS	GENERAL TOLERANCES (UNLESS SPECIFIED)	DIMENSION STYLE MM ONLY	SCALE ---	DESIGN UNITS METRIC	FIRST ANGLE PROJECTION
	DESCRIPTION	mm INCH	DRAWN BY DATE	TITLE	MPM A03 ADAPTORS	
	REV	4 PLACES ± --- ± ---	MLEVYTSKYY 2009/05/05	MOLEX INCORPORATED		
		3 PLACES ± --- ± ---	CHECKED BY DATE	DOCUMENT NO.	A03XXX	
		2 PLACES ± --- ± ---	MDABROWSKA 2009/05/05	SHEET NO. 1 OF 1		
	1 PLACE ± --- ± ---	APPROVED BY DATE	THIS DRAWING CONTAINS INFORMATION THAT IS PROPRIETARY TO MOLEX INCORPORATED AND SHOULD NOT BE USED WITHOUT WRITTEN PERMISSION			
	ANGULAR ± --- °	MWOLSZCZAK 2009/05/05				
		MATERIAL NO.				
	DRAFT WHERE APPLICABLE MUST REMAIN WITHIN DIMENSIONS	SIZE A3				

9 8 7 6 5 4 3 2 1



### WIRING CONFIGURATION



THIS DRAWING CONTAINS INFORMATION THAT IS PROPRIETARY TO MOLEX ELECTRONIC TECHNOLOGIES, LLC AND SHOULD NOT BE USED WITHOUT WRITTEN PERMISSION											
SYMBOLS		DIMENSION UNITS	SCALE	CURRENT REV DESC:							
$\nabla$ = 0	mm	1:1	<b>molex</b> A03XXX ADAPTORS SERIES A03XXX FOR DIN INDUSTRIAL PRODUCT CUSTOMER DRAWING								
$\nabla$ = 0	GENERAL TOLERANCES (UNLESS SPECIFIED)										
$\nabla$ = 0	ANGULAR TOL ± °										
$\nabla$ = 0	4 PLACES	±									
$\nabla$ = 0	3 PLACES	±									
$\nabla$ = 0	2 PLACES	±									
$\nabla$ = 0	1 PLACE	±	EC NO: 606094			DOCUMENT NUMBER			DOC TYPE	DOC PART	REVISION
$\nabla$ = 0	0 PLACES	±	DRWN: MCELEJEWSKI 2018/10/17			SD-121001-003			PSD	001	A1
$\nabla$ = 0	DRAFT WHERE APPLICABLE MUST REMAIN WITHIN DIMENSIONS		THIRD ANGLE PROJECTION		DRAWING	SERIES	MATERIAL NUMBER	CUSTOMER		SHEET NUMBER	
$\nabla$ = 0			A4-SIZE		121001	SEE SHEET 2	GENERAL MARKET		1 OF 2		

DOCUMENT STATUS	P1	RELEASE DATE	2018/10/18	15:25:52
-----------------	----	--------------	------------	----------

PART No MATRIX

A 0 3 X X X

INTERNAL CIRCUIT

VOLTAGE AND LED COLOR

1= 12V	A= 12V	G= 12V
2= 24V	B= 24V	H= 24V
3= 48V	C= 48V	K= 48V
4= 115V	D= 115V	L= 115V
5= 230V	E= 230V	M= 230V

RED LED      GREEN LED      YELLOW LED


PART LIST

MOLEX PN	ENG. NO	CIRCUIT TYPE	LED COLOR
1210010077	A03A12	A1 24V	RED
1210010079	A03A14	A1 115V	RED
1210010081	A03A1H	A1 24V	YELLOW
1210010082	A03A1L	A1 115V	YELLOW
1210010085	A03C32	C3 24V	RED
1210010089	A03C3B	C3 24V	GREEN
1210010091	A03C42	C4 24V	RED
1210010093	A03C44	C4 115V	RED
1210010094	A03C45	C4 230V	RED
1210010095	A03C4B	C4 24V	GREEN
1210010098	A03C4H	C4 24V	YELLOW
1210010099	A03C4L	C4 115V	YELLOW
1210010100	A03C4M	C4 230V	YELLOW
1210010102	A03G22	G2 24V	RED
1210010107	A03G2D	G2 115V	GREEN
1210010109	A03G2H	G2 24V	YELLOW
1210010110	A03G2L	G2 115V	YELLOW
1210010402	A03G2M	G2 230V	YELLOW
1210010424	A03C3H	C3 24V	YELLOW
1210010432	A03S0H	S0 24V	YELLOW

BOM

ITEM	QTY	DESCRIPTION	MATERIAL	FINISH/COLOR
5	1	DISTANZIALE LED	-	-
4	1	PCB WITH COMPONENT	-	SEE PART LIST
3	1	CORPO STAMPATO	-	BLACK
2	-	EPOXY ER2188K5K	-	BLACK
1	-	EPOXY ER2188B	-	BLACK

DOCUMENT STATUS	P1	RELEASE DATE	2018/10/18	15:25:52
-----------------	----	--------------	------------	----------

SYMBOLS										THIS DRAWING CONTAINS INFORMATION THAT IS PROPRIETARY TO MOLEX ELECTRONIC TECHNOLOGIES, LLC AND SHOULD NOT BE USED WITHOUT WRITTEN PERMISSION																			
DIMENSION UNITS		SCALE		CURRENT REV DESC:										 <p>A03XXX ADAPTORS SERIES A03XXX FOR DIN INDUSTRIAL</p> <p>PRODUCT CUSTOMER DRAWING</p> <p>DOCUMENT NUMBER: SD-121001-003    DOC TYPE: PSD    DOC PART: 001    REVISION: A1</p> <p>MATERIAL NUMBER: SEE SHEET 2    CUSTOMER: GENERAL MARKET    SHEET NUMBER: 2 OF 2</p>															
mm		1:1		EC NO: 606094																									
GENERAL TOLERANCES (UNLESS SPECIFIED)										DRWN: MCELEJEWSKI    2018/10/17																			
ANGULAR TOL ± °										CHK'D: DSTACHOWIAK    2018/10/18																			
▽ = 0				APP: DSTACHOWIAK    2018/10/18										INITIAL REVISION:															
▽ = 0				DRWN: JMARSZALEK    2013/02/08										DRWN: JMARSZALEK    2013/02/08															
▽ = 0				APP: MIWASIECZKO    2013/02/12										APP: MIWASIECZKO    2013/02/12															
▽ = 0				DRAFT WHERE APPLICABLE MUST REMAIN WITHIN DIMENSIONS										THIRD ANGLE PROJECTION															
▽ = 0				DRAWING										SERIES															
▽ = 0				A4-SIZE										121001															