

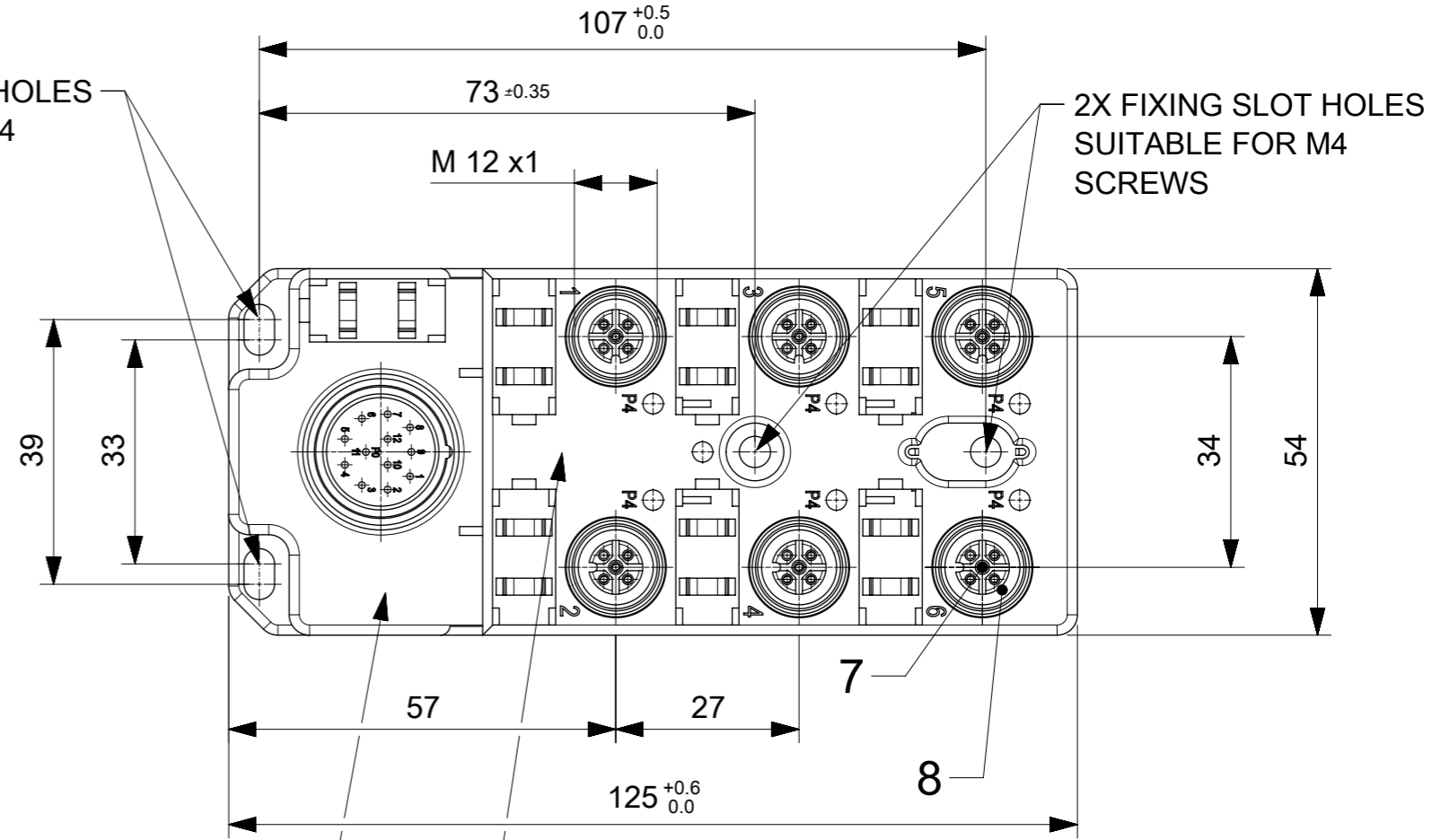
TABLE 1

MOLEX P/N	ENG. NO.	LED
1202480057	BTB6010-FBC	NO
1202480058	BTB601P-FBC	YES
1202480131	BTB601N-FBC	YES

TABLE 2 BILL OF MATERIAL

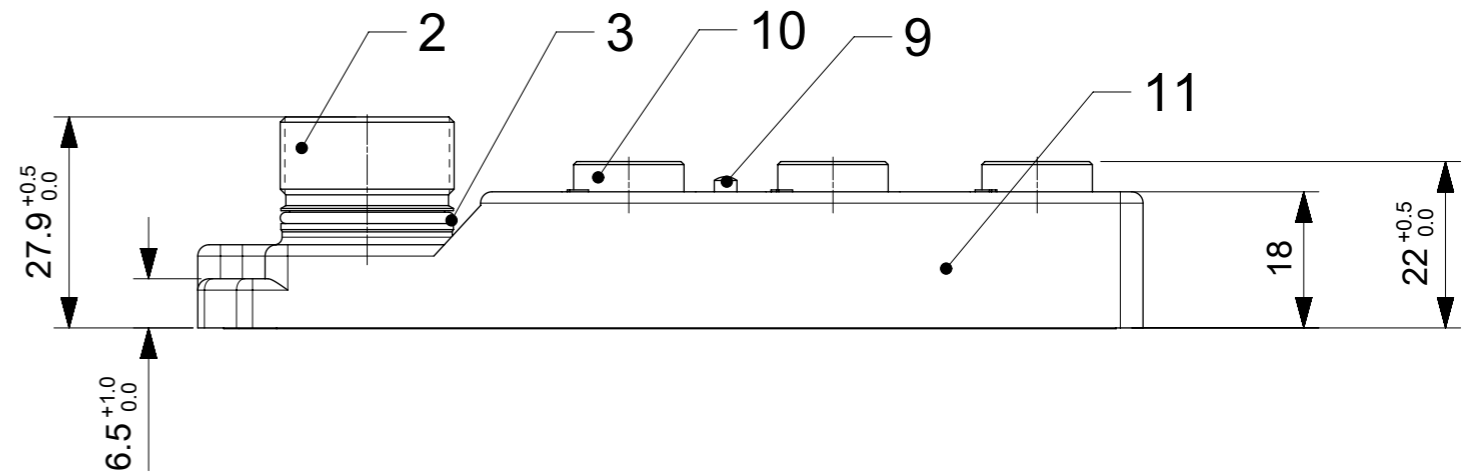
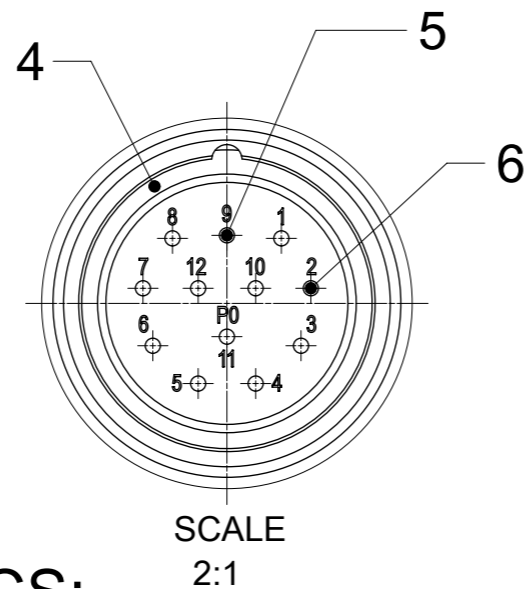
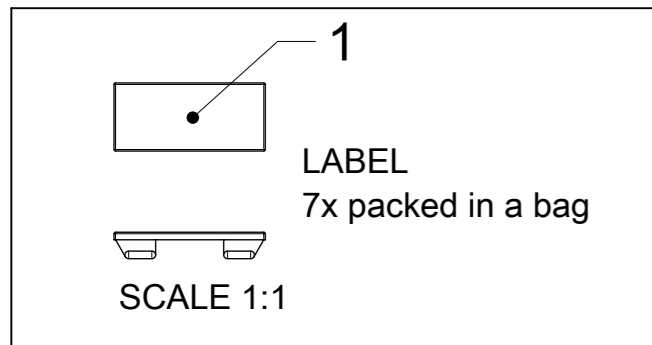
ITEM	DESCRIPTION	MATERIAL	FINISH
1	LABEL	ABS	WHITE
2	SHELL	BRASS	NICKEL PLATED
3	O-RING	NBR	BLACK
4	O-RING	NBR	BLACK
5	CONTACT	BRASS	GOLD OVER NICKEL
6	CONTACT	BRASS	GOLD OVER NICKEL
7	CONTACT	BRONZE	GOLD OVER NICKEL
8	O-RING	FPM	RED
9	LED	NO LED = PA	BLACK
		WITH LED = PA	TRANSPARENT
10	SHELL	BRASS	NICKEL PLATED
11	HOUSING	PBT	BLACK

2X FIXING SLOT HOLES
SUITABLE FOR M4
SCREWS



LASER PRINTING:
BRAD LOGO

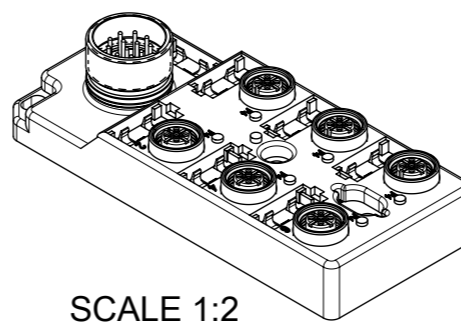
LASER PRINTING:
PN: 120248XXXX
ENG.: BTB601X-FBC
PO: XXXXXXXXXX



GENERAL CHARACTERISTICS:

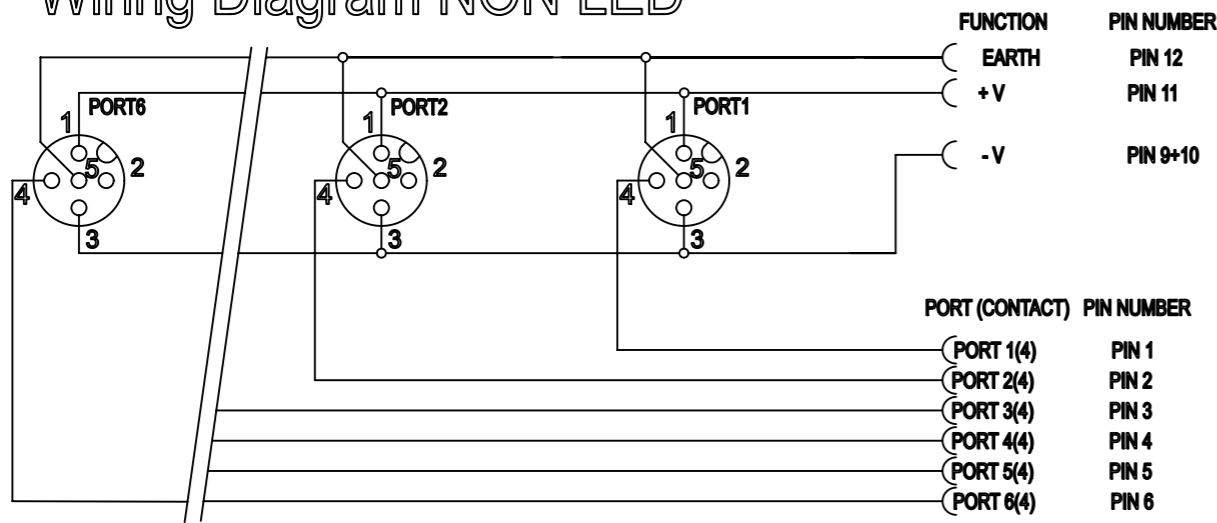
ELECTRICAL AND MECHANICAL DATA ACC. TO IEC 61076-2-101

NOMINAL VOLTAGE: 10-30 V DC
 AMPERE RATING: 4 A PER PORT / 12 A MAX
 AMPERE RATING WITH UL REGISTRATION: 3 A PER PORT / 9 A MAX
 IP DEGREE OF PROTECTION: IP 67
 TEMPERATURE RANGE: -25°C to + 85°C

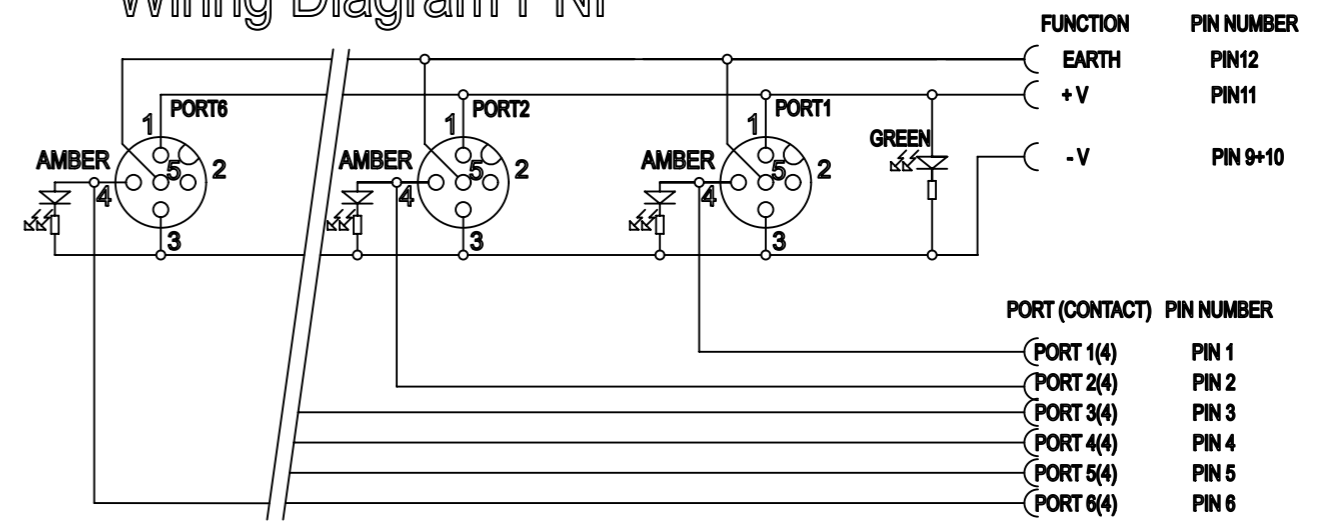


SYMBOLS	DIMENSION UNITS	SCALE	CURRENT REV DESC: LASER PRINT UPDATE		
▽ = 0	mm	1:1	molex MPIS M12 PNP NPN NOS 4P 6PT 12P M23 BK MPIS M12 PNP NPN NOS 4P 6PT 12P M23 BK XM STA SINGLE		
▽ = 0	GENERAL TOLERANCES (UNLESS SPECIFIED)				
▽ = 0	ANGULAR TOL	± °	EC NO: 606042	2018/08/30	PRODUCT CUSTOMER DRAWING DOCUMENT NUMBER: 1202480057 DOC TYPE: PSD DOC PART: 000 REVISION: B
▽ = 0	4 PLACES	±	DRWN: SSM	2018/10/18	
▽ = 0	3 PLACES	±	CHK'D: RSILLER	2018/10/18	
▽ = 0	2 PLACES	±	APPR: RSILLER	2018/10/18	
▽ = 0	1 PLACE	±	INITIAL REVISION:		
▽ = 0	0 PLACES	± 0.25	DRWN: AAHLERS	2015/04/07	
▽ = 0	DRAFT WHERE APPLICABLE MUST REMAIN WITHIN DIMENSIONS		APPR: RSILLER	2016/09/07	
▽ = 0	THIRD ANGLE PROJECTION	DRAWING	SERIES	MATERIAL NUMBER	CUSTOMER
▽ = 0		A3-SIZE	120248	SEE TABLE 1	GENERAL MARKET

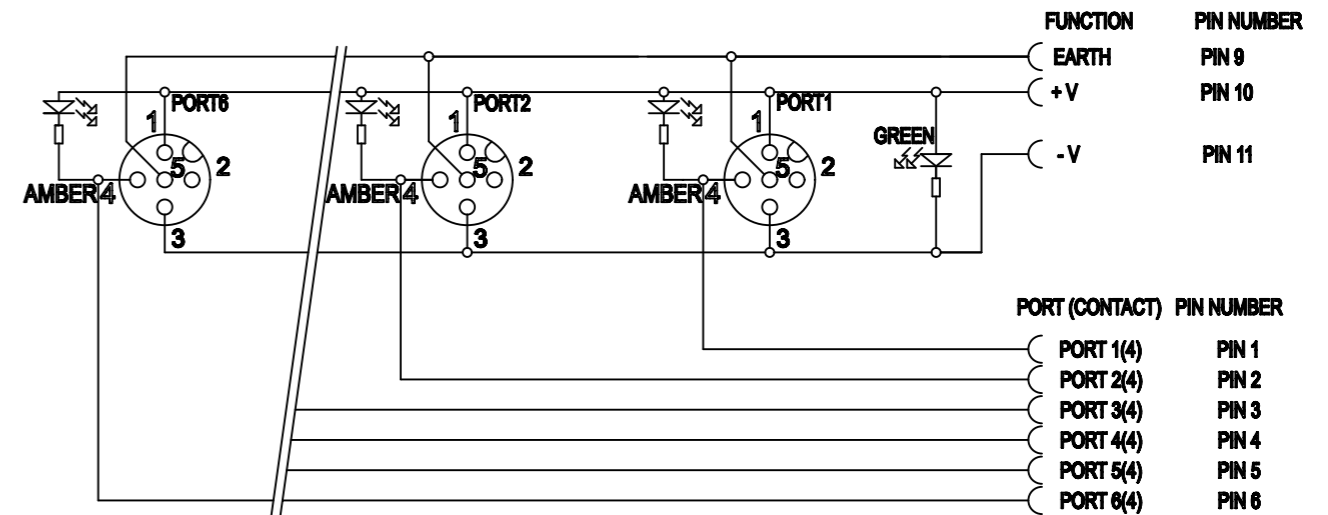
Wiring Diagram NON LED



Wiring Diagram PNP



Wiring Diagram NPN Single



SYMBOLS DIMENSION UNITS: mm SCALE: 1:1 GENERAL TOLERANCES (UNLESS SPECIFIED) ANGULAR TOL ± ° 4 PLACES ± 3 PLACES ± 2 PLACES ± 1 PLACE ± 0 PLACES ± 0.25 DRAFT WHERE APPLICABLE MUST REMAIN WITHIN DIMENSIONS THIRD ANGLE PROJECTION	THIS DRAWING CONTAINS INFORMATION THAT IS PROPRIETARY TO MOLEX ELECTRONIC TECHNOLOGIES, LLC AND SHOULD NOT BE USED WITHOUT WRITTEN PERMISSION CURRENT REV DESC: LASER PRINT UPDATE			
	EC NO: 606042 DRWN: SSM 2018/08/30 CHK'D: RSILLER 2018/10/18 APPR: RSILLER 2018/10/18			
INITIAL REVISION: DRWN: AAHLERS 2015/04/07 APPR: RSILLER 2016/09/07			PRODUCT CUSTOMER DRAWING	
DOCUMENT NUMBER: 1202480057			DOC TYPE: PSD	DOC PART: 000
MATERIAL NUMBER: SEE SHEET 1		CUSTOMER: GENERAL MARKET	SHEET NUMBER: 2 OF 2	