

DESCRIPTION: 0.085 RIBBON - DIP SOLDER

36 PIN  
SHOWN

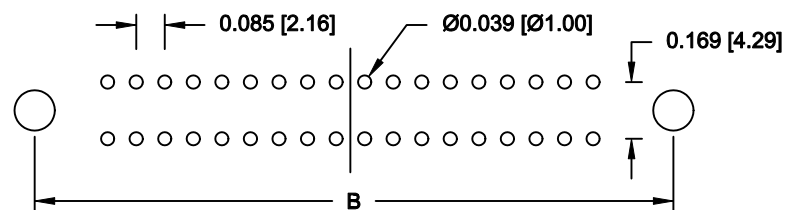
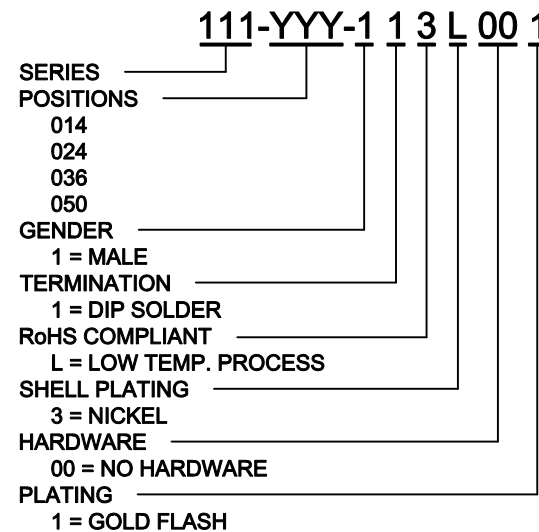
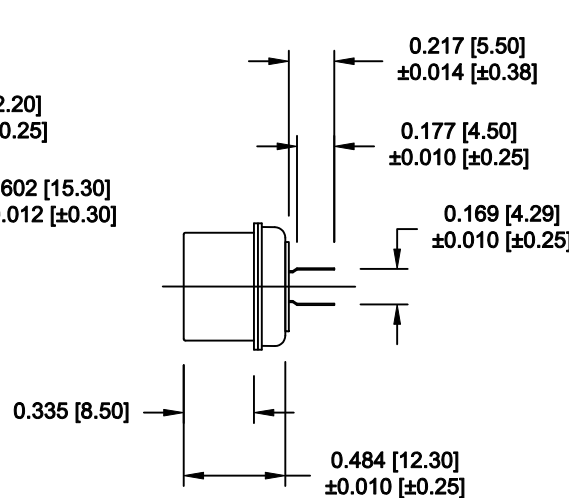
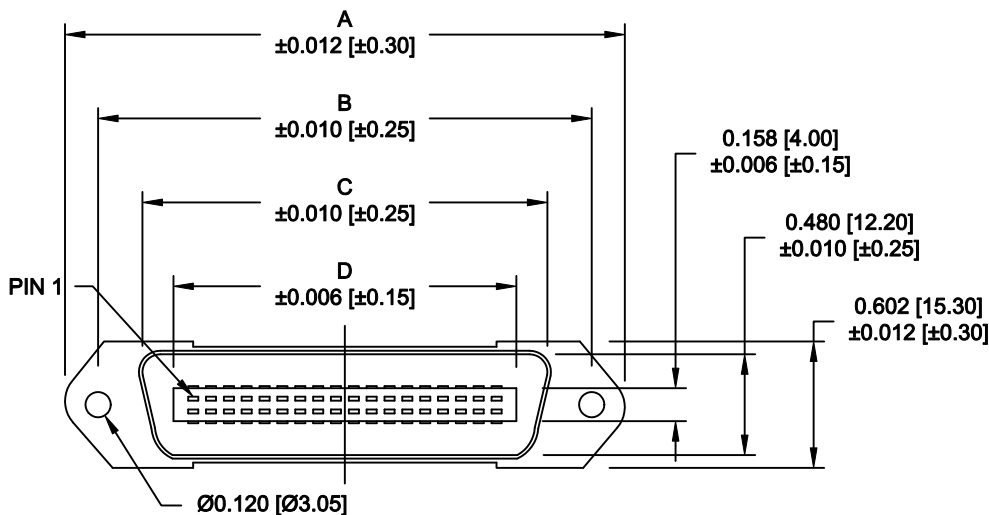
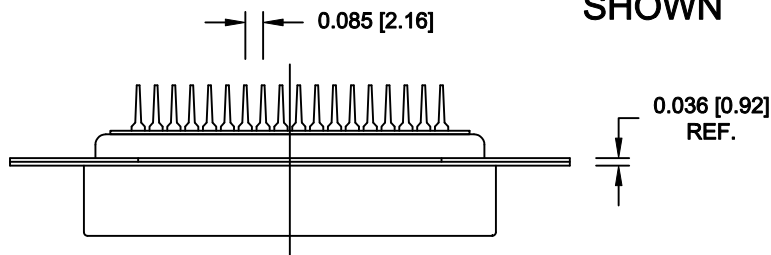
	014	024	036	050
A	1.728	2.154	2.667	3.272
	43.90	54.70	67.75	83.10
B	1.417	1.843	2.352	2.947
	36.00	46.80	59.74	74.85
C	1.004	1.429	1.929	2.538
	25.50	36.30	49.00	64.47
D	0.689	1.102	1.634	2.207
	17.50	28.00	41.50	56.05

**MATERIAL:**

INSULATION: PBT - UL 94V-0 RATED  
 CONTACTS: PHOSPHOR BRONZE  
 CONTACT PLATING: GOLD FLASH IN THE MATING AREA  
 BRIGHT TIN IN THE SOLDER AREA  
 SHELL: STEEL, NICKEL PLATED

**ELECTRICAL:**

CURRENT RATING: 1 AMPS  
 VOLTAGE RATING: 1,000V AC r.m.s.  
 INSULATION RESISTANCE: 1,000MegOhms Min. @ 500VDC  
 CONTACT RESISTANCE: 30Milliohms Max.  
 OPERATING TEMPERATURE: -55°C TO +125°C



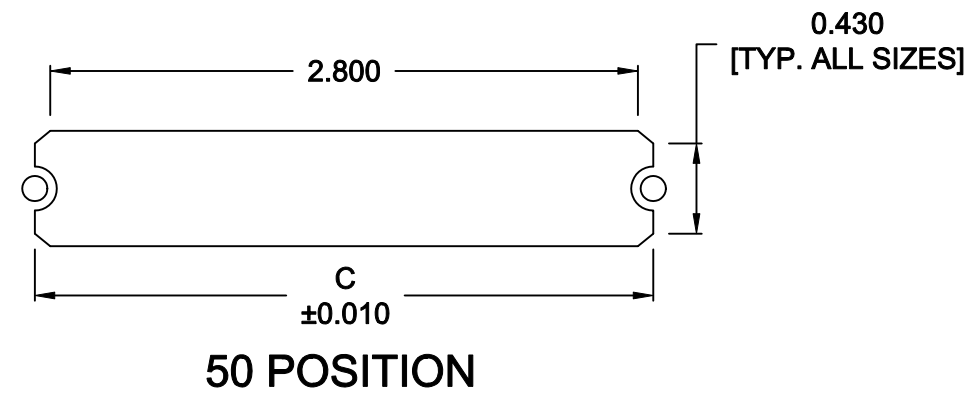
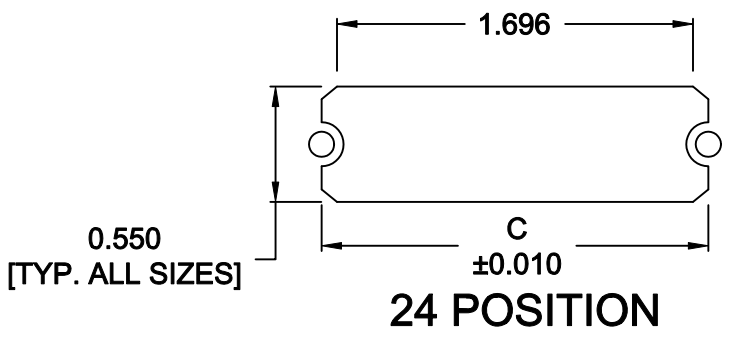
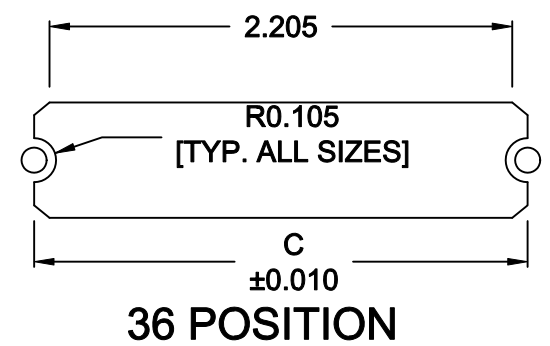
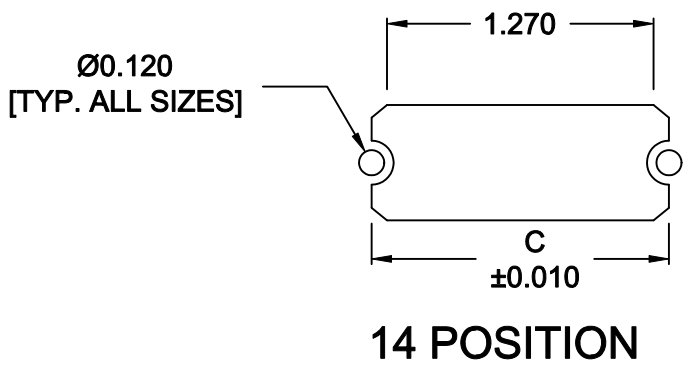
RECOMMENDED PCB LAYOUT  
SCALE = 2 : 1

RoHS COMPLIANT

DO NOT SCALE FROM DRAWING

	THESE DRAWINGS AND SPECIFICATIONS ARE THE PROPERTY OF NorComp AND SHALL NOT BE REPRODUCED, COPIED OR USED AS THE BASIS FOR THE MANUFACTURE OF SALE OF APPARATUS WITHOUT WRITTEN PERMISSION.		DRAWN: <b>WAYNE ROBBINS</b>	DATE: <b>09-21-98</b>
			CHECKED:	DATE:
<b>NorComp</b>		SCALE: <b>1 : 1</b>	SHEET <b>1</b> OF <b>2</b>	REV <b>10</b>
		DWG NO. <b>111-YYY-113L001</b>		


	014	024	036	050
C	1.417	1.843	2.352	2.947
	36.00	46.80	59.74	74.85



\*\*\*NOTE\*\*\* DIMENSION "C" =  
 CENTER TO CENTER OF MOUNTING HOLES  
 CENTER OF RADI  
 OVERALL LENGTH OF CUTOUT

RoHS COMPLIANT

DO NOT SCALE FROM DRAWING

	THESE DRAWINGS AND SPECIFICATIONS ARE THE PROPERTY OF NorComp AND SHALL NOT BE REPRODUCED, COPIED OR USED AS THE BASIS FOR THE MANUFACTURE OF SALE OF APPARATUS WITHOUT WRITTEN PERMISSION.		DRAWN: <b>M. SIGMON</b>	DATE: <b>01-14-11</b>
				CHECKED:
<h1>NorComp</h1>		SCALE: NONE	SHEET 2 OF 2	REV 10
		DWG NO. <b>111-YYY-113L001</b>		