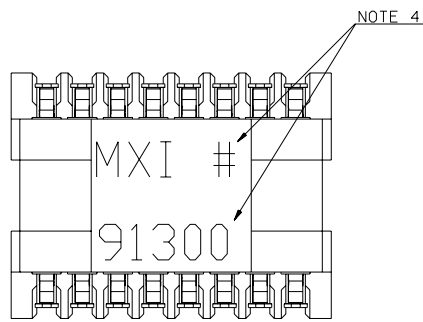
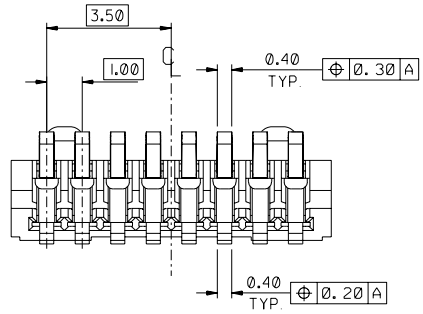


RECOMMENDED PCB LAYOUT  
(MATING BOARD)  
VIEWED FROM MATING SIDE



NOTES:

- MATERIALS:  
HOUSING: NYLON 46, 45% GLASS FILL. COLOUR BLACK  
CONTACT: BERYLLIUM COPPER 0.10 REF THICK
- PLATING: 1.27um MIN NICKEL UNDERCOAT OVERALL  
CONTACT AREA: 0.76um Au MIN OVER NICKEL UNDERCOAT  
SMT TAIL AREA: 0.10-0.20um Au OVER NICKEL UNDERCOAT
- ALL SMT TAILS ARE TO LIE WITHIN A 0.10 TOLERANCE BAND FROM EACH OTHER
- MOLEX FAMILY NUMBER 91300 AND CAVITY ID (MXI #) TEXT CHARACTER SIZE TO BE 1.0 HIGH. TEXT TO BE RECESSED 0.05 MAX BELOW SURFACE OF HOUSING
- PARTS TO BE SUPPLIED IN BLISTER PACK TAPE & REEL
- CLEARANCE FROM EDGE OF SOLDER-MASK
- WEEK No. AND YEAR CODE TO BE LASER ETCHED IN THIS AREA TEXT TO BE 1.5 HIGH, COLOUR BLACK
- TERMINAL PULL-OUT FORCE RANGES FROM 0.5N TO 4.5N

PART No	PEGS
91300-0002	YES
91300-0003	NO

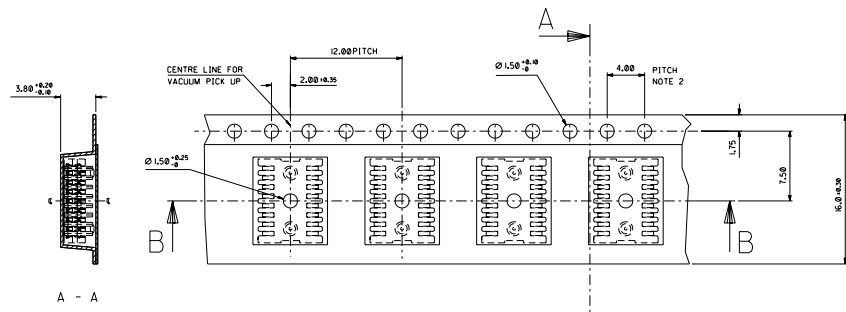
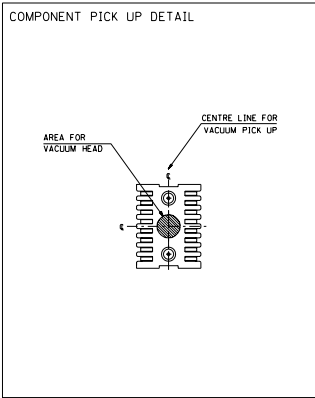
MOD Au CONTACT	QUALITY SYMBOLS
EC NO. E2004-0957	MAJOR
DRWN: DCARTON 04/03/31	CRITICAL
CHK: / / /	C
APPR: / / /	
REV	DESCRIPTION
D	

GENERAL TOLERANCES: (UNLESS SPECIFIED)	
mm	INCH
4 PLACES ±0.1	±.
3 PLACES ±0.1	±.
2 PLACES ±0.05	±.
1 PLACE ±0.10	±.
ANGULAR: ± 1/2 °	
DRAFT WHERE APPLICABLE MUST REMAIN WITHIN DIMENSIONS	

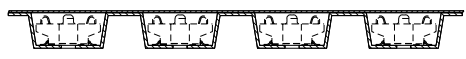
SCALE 10:1	DESIGN UNITS <input checked="" type="checkbox"/> mm <input type="checkbox"/> INCH
DRAWN BY & DATE JFLYNN 98/03/24	
CHECKED BY & DATE PGRIFFIN 98/03/24	
APPROVED BY & DATE MWILHITE 98/03/24	
CAD FILENAME S91300XI.DGN	

DIMENSIONS: <input type="checkbox"/> mm <input type="checkbox"/> INCH <input checked="" type="checkbox"/> mm <input type="checkbox"/> ONLY		SHT	REV
THIRD ANGLE PROJECTION		REVISE ON CAD ONLY	
TITLE: 16 CCT BOARD TO BOARD CONNECTOR			
MATERIAL NO. SEE CHART			
DRAWING NO. SD-91300-002			
SHEET NO. 1 OF 1			
THIS DRAWING CONTAINS INFORMATION THAT IS PROPRIETARY TO MOLEX INCORPORATED AND SHOULD NOT BE USED WITHOUT WRITTEN PERMISSION.			
SIZE C			

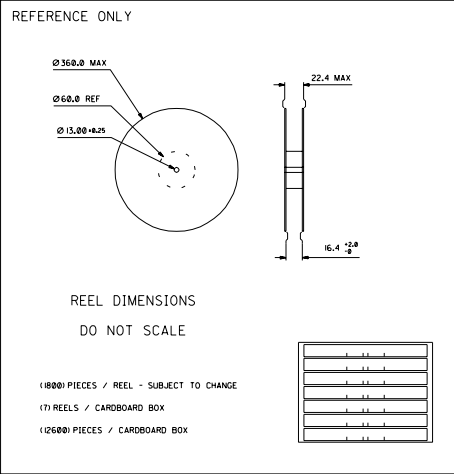
PART NO. 91300-0002  
DWG NO. SD-91300-002



DIRECTION OF UNREELING →



PART No.	PEGS
91300-0002	YES
91300-0003	NO



- NOTES:**
- MATERIALS:
    - CARRIER TAPE: VOLVINE CONDUCTIVE POLYSTYRENE, 0.40 REF THICK, BLACK
    - COVER TAPE: COLD SEAL POLYESTER, 0.06 REF THICK, TRANSPARENT
  - PITCH TOLERANCE OVER ANY 10 PITCHES: ±0.20
  - PEEL FORCE OF THE COVER TAPE IS 0.8N TO 1.0N AT A MAXIMUM PEEL SPEED OF 300/min. ±10%
  - PACKAGING SPEC. TBA.
  - REFERENCE TO IEC 286-3 EXCEPT WHERE NOTED

ADD PART NO. ECN NO. 18 MANUFACTURING 04/09/08 DATE: 08/09/08 APPR:	QUALITY SYMBOLS 4 PLACES ±0.1 3 PLACES ±0.1 2 PLACES ±0.10 1 PLACE ±0.20 ANGULAR: ±1/2°	GENERAL TOLERANCES: UNLESS SPECIFIED DIM INCH 4 PLACES ±0.1 3 PLACES ±0.1 2 PLACES ±0.10 1 PLACE ±0.20 ANGULAR: ±1/2°	SCALE: 1:1 DESIGN UNITS: DIM INCH DRAWN BY & DATE: MKEANE 98/09/18 CHECKED BY & DATE: FJOLAN 98/09/18 APPROVED BY & DATE: MWHLHITE 98/09/18	DIMENSIONS: DIM INCH DIM M M THIRD ANGLE PROJECTION DIM INCH DIM M ONLY	SHT REV REVISION ON CAD ONLY	TITLE: BLISTER PACKAGING FOR 16CCT B/B CONNECTOR MOLEX INCORPORATED	CAD FILENAME: S91300X2.DGN MATERIAL NO.: SD-91300-004 DRAWING NO.: 10F1	SHEET NO. 1 OF 1

SHT. 1 OF 1		MRI-SD-91300-004		
MODIFICATION RECORD INDEX				
ECN	ISS.	DATE INIT	SHTS. AFFECTED	DESCRIPTION OF MOD.
E90143	A	98.10.09 MK	1	ORIGINAL ISSUE
E90276	B	99.01.20 MK	1	TOOLING STATUS REMOVED AS PER FPIR 2894 SUB 1

MOLEX EUROPE	REVISE ONLY ON CAD SYSTEM
<small>THIS DRAWING CONTAINS INFORMATION THAT IS PROPRIETARY TO MOLEX INCORPORATED AND SHOULD NOT BE USED WITHOUT WRITTEN PERMISSION. (UF 6028)</small>	<small>OWNER FILENAME: S91300X2 .DGN</small>
DATE: 08/09/08	BY: B

**LEVEL CHART**

1	17	33	49
2	18	34	50
3	19	35	51 LEVEL INDEX
4	20	36	52 RESERVED
5	21	37	53 RESERVED
6	22	38	54 RESERVED
7	23	39	55 DIMENSIONS
8	24	40	56 TABLES/CHARTS
9	25	41	57 REVISION TEXT & MRI
10	26	42	58 NOTES/TEXT
11	27	43	59
12	28	44	60 RESERVED
13	29	45	61
14	30	46	62
15	31	47	63 RESERVED
16	32	48	