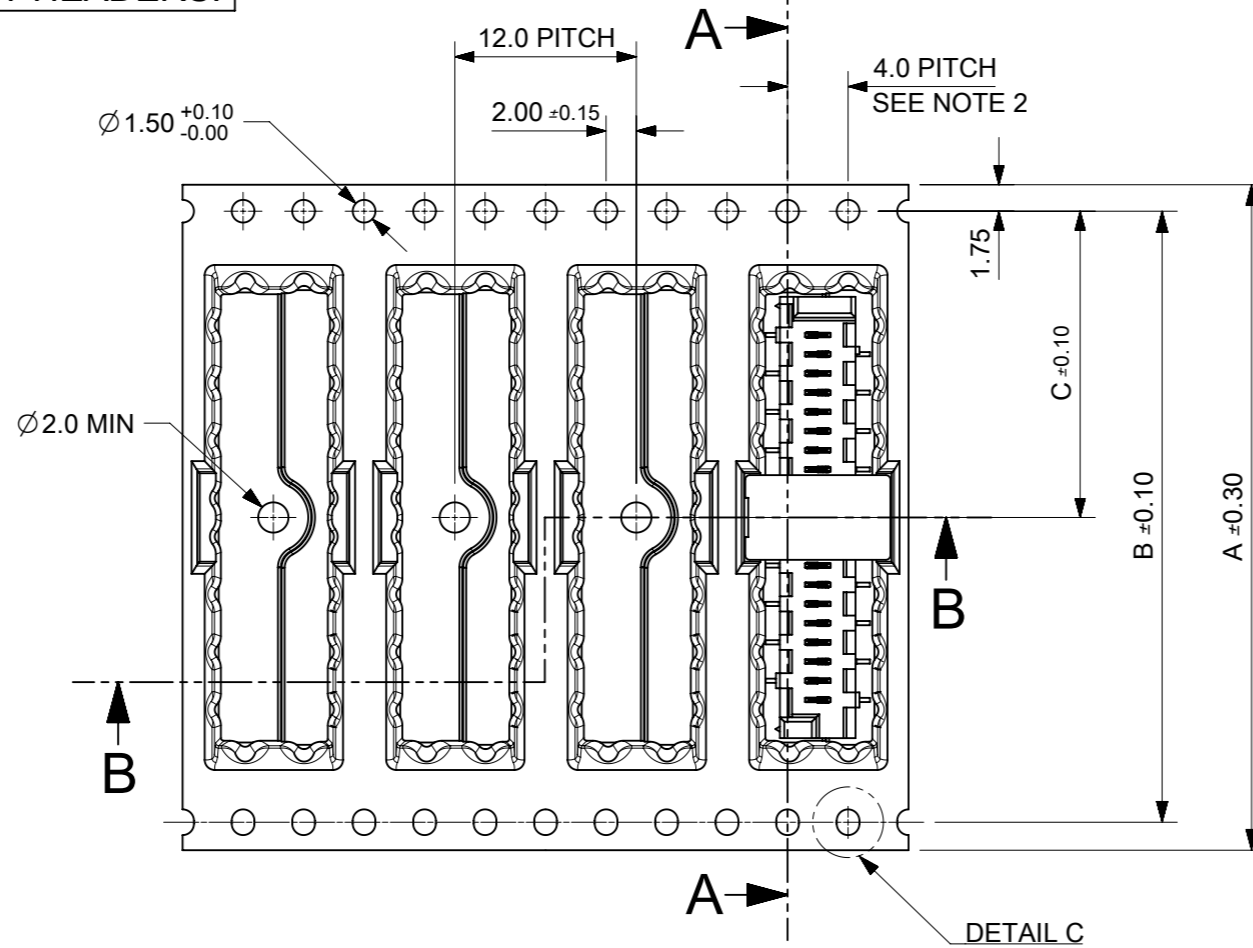


**CARRIER TAPE FOR STANDARD SMT HEADERS.**

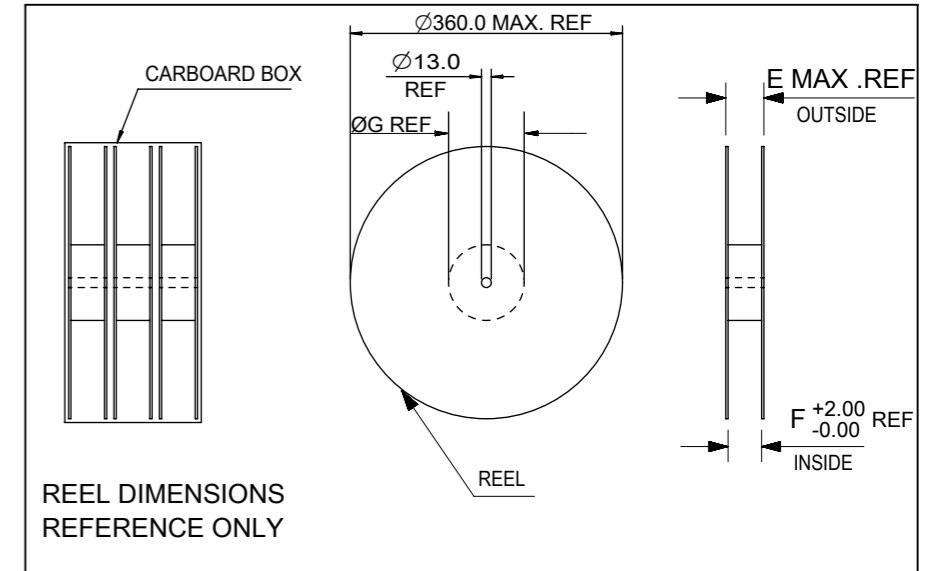


SECTION A-A



DETAIL C

PART NUMBER	NO. OF CKTS	DIM A	DIM B	DIM C	DIM D	DIM E	DIM F	DIM G	PIECES PER BOX	REELS PER BOX	PIECES PER REEL
90814-*220/*520	20										
90814-*218/*518	18										
90814-*216/*516	16										
90814-*214/*514	14										
90814-*212/*512	12	44.0	40.4	20.2	29.5	50.4	44.4	100.0	1800	3	600
90814-*210/*510	10										
90814-*208/*508	8										
90814-*206/*506	6										
90814-*204/*504	4										

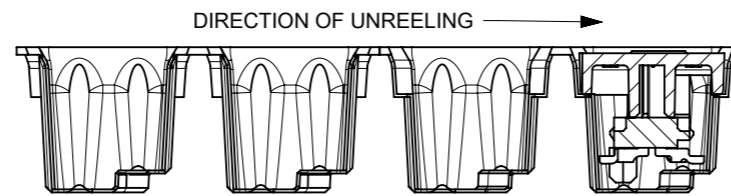
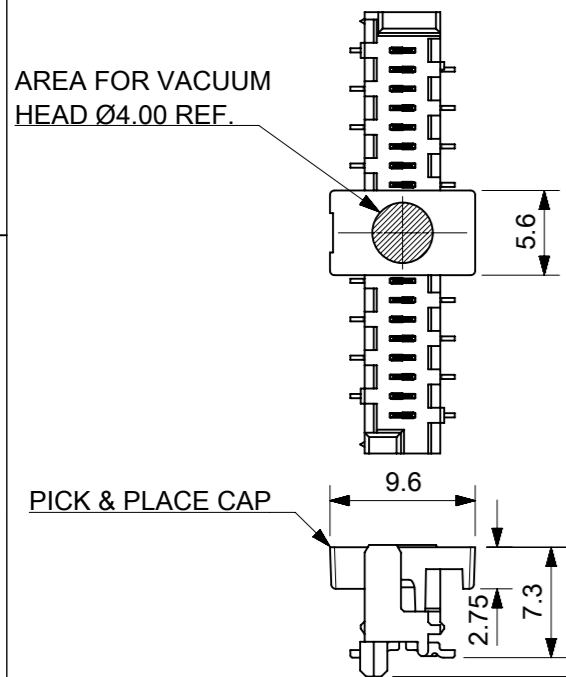


STANDARD SMT PICOFLEX COMPONENT & CAP DETAIL  
PART NUMBERS 90814-\*2\*\*/\*5\*\*

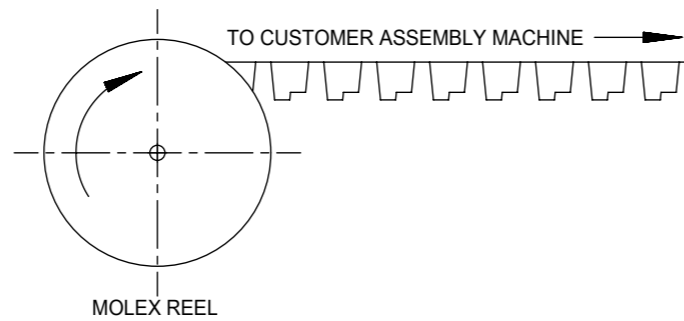
SEE DRAWING NO. SDA-90814 FOR COMPONENT DETAIL

AREA FOR VACUUM HEAD  $\varnothing 4.00$  REF.

PICK & PLACE CAP



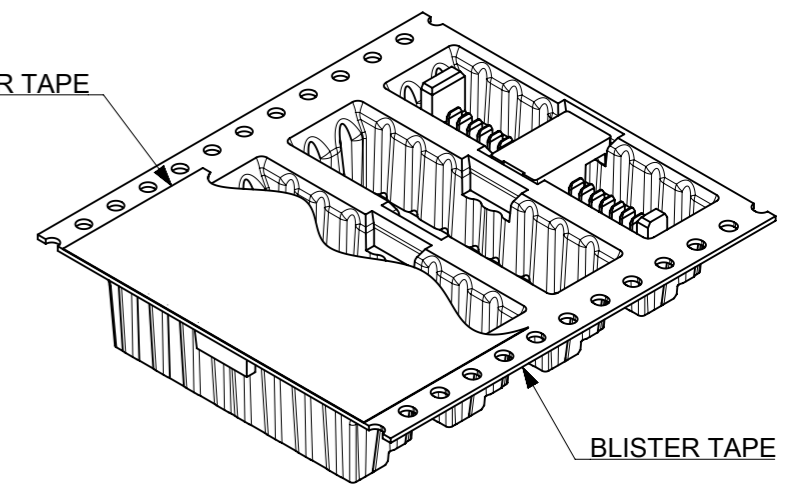
SECTION B-B



DETAIL C  
SCALE 10:1

COVER TAPE

BLISTER TAPE



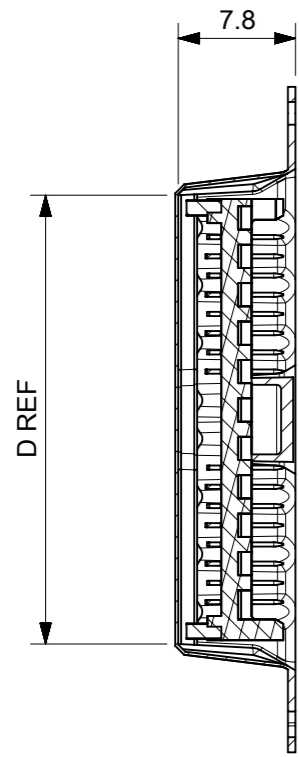
NOTES:

- MATERIAL:  
CARRIER TAPE: VOLUME NON-CONDUCTIVE ANTISTATIC COATED POLYSTYRENE, 0.4 mm REF. THICK, CLEAR.  
COVER TAPE: COLD SEAL POLYESTER, 0.06 mm REF. THICK, TRANSPARENT.
- PITCH TOLERANCE OVER ANY 10 PITCHES  $\pm 0.2$  mm.
- ALL CAVITY WALLS HAVE DRAFT ANGLE UNLESS STATED OTHERWISE.
- ALL INTERNAL RADII R0.3 MAX.
- PEEL FORCE OF THE COVER TAPE IS 0.1 N TO 1.3 N AT MAXIMUM PEEL SPEED OF 300 mm/MIN,  $\pm 10\%$ .
- REFERENCE TO IEC 60286-3.

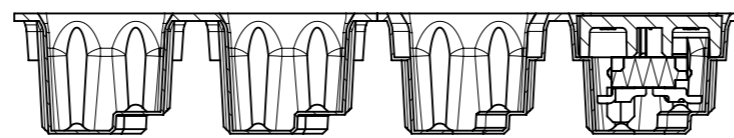
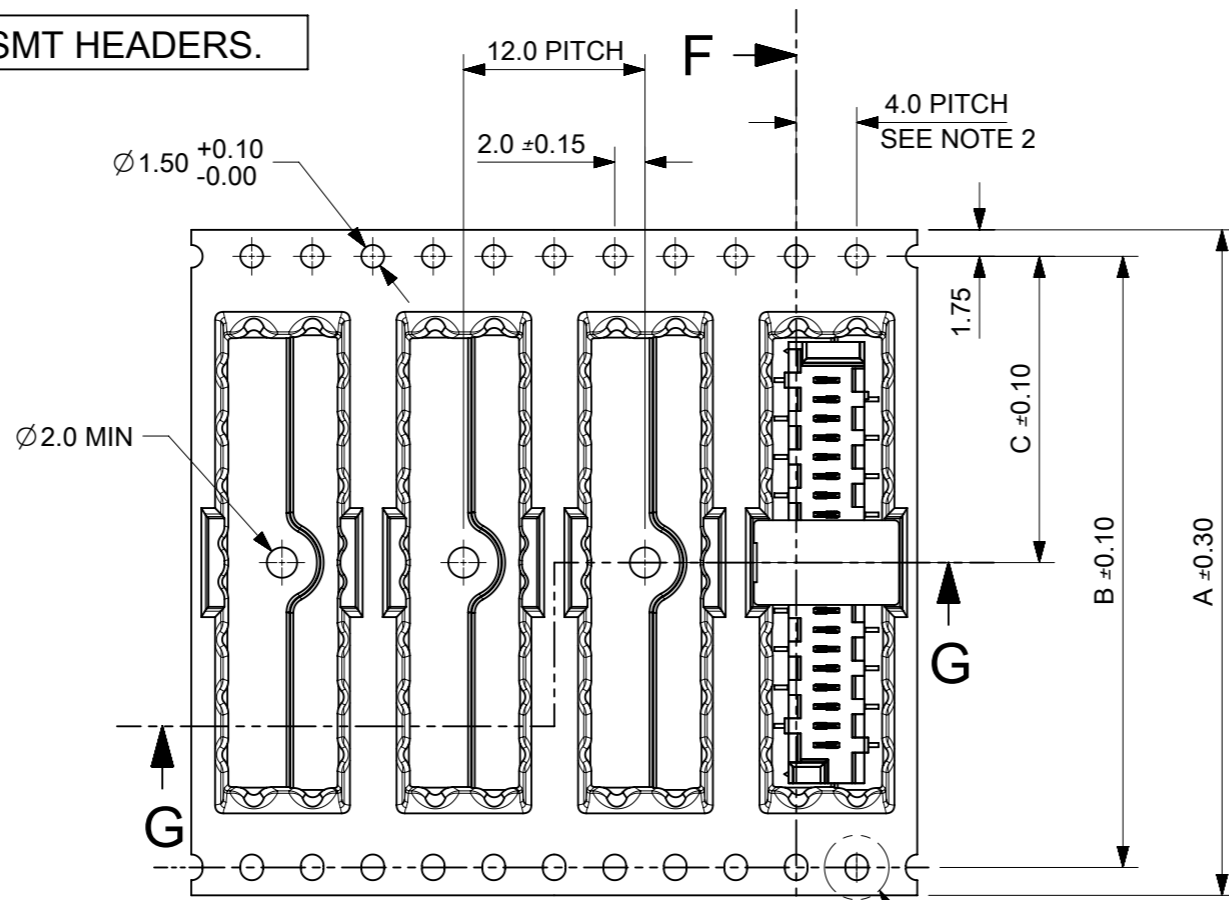
THIS DRAWING CONTAINS INFORMATION THAT IS PROPRIETARY TO MOLEX ELECTRONIC TECHNOLOGIES, LLC AND SHOULD NOT BE USED WITHOUT WRITTEN PERMISSION		CURRENT REV DESC: REVISED		<b>molex</b>	
DIMENSION UNITS	SCALE				
mm	1.5:1			PICOFLEX SMT HEADER BLISTER TAPE	
GENERAL TOLERANCES (UNLESS SPECIFIED)				PRODUCT CUSTOMER DRAWING	
ANGULAR TOL	$\pm 2.0^\circ$	EC NO:	169568		
4 PLACES	$\pm$	DRWN:	BPMURPHY	2017/12/05	
3 PLACES	$\pm$	CHK'D:	DSHEA	2018/04/13	
2 PLACES	$\pm 0.1$	APPR:	DBYRNES	2018/04/18	
1 PLACE	$\pm 0.2$	INITIAL REVISION:			
0 PLACES	$\pm$	DRWN:	BPMURPHY	2017/09/25	
DRAFT WHERE APPLICABLE MUST REMAIN WITHIN DIMENSIONS		THIRD ANGLE PROJECTION	DRAWING	SERIES	MATERIAL NUMBER
			A3-SIZE	90814	SEE TABLE
		CUSTOMER	GENERAL MARKET		
		DOCUMENT NUMBER	908149002		DOC TYPE DOC PART REVISION
				PSD	000 B
				SHEET NUMBER	
				1 OF 2	

**CARRIER TAPE FOR LOW PROFILE SMT HEADERS.**

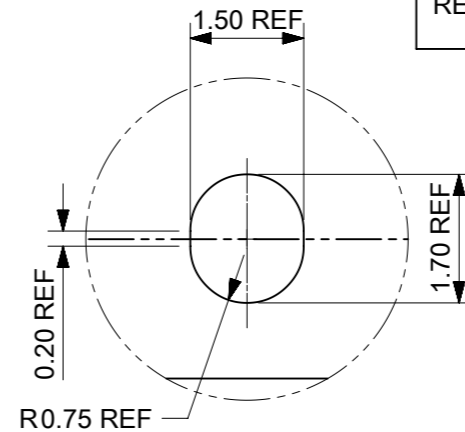
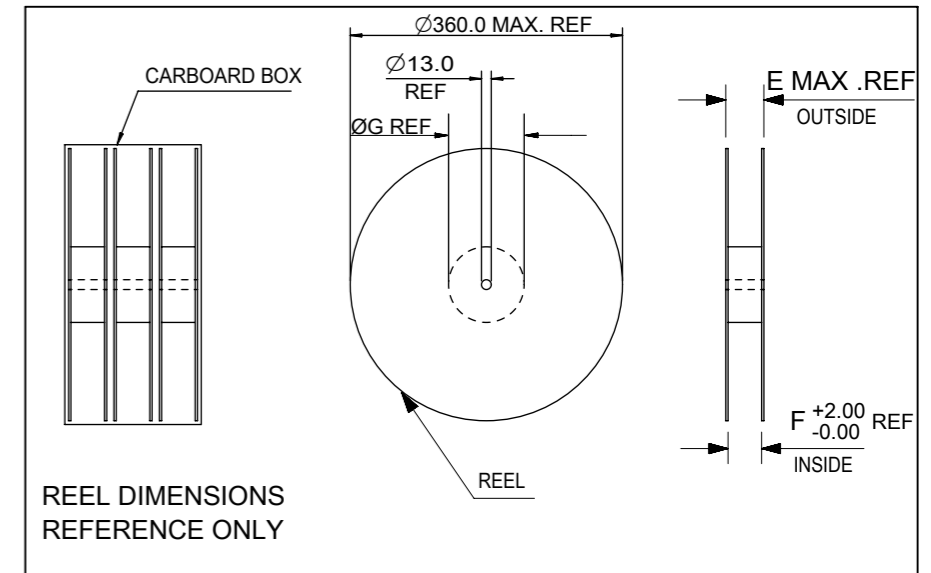
PART NUMBER	NO. OF CKTS	DIM A	DIM B	DIM C	DIM D	DIM E	DIM F	DIM G	PIECES PER BOX	REELS PER BOX	PIECES PER REEL
90814-*720/*920	20										
90814-*718/*918	18										
90814-*716/*916	16										
90814-*714/*914	14										
90814-*712/*912	12	44.0	40.4	20.2	29.5	50.4	44.4	100.0	1800	3	600
90814-*710/*910	10										
90814-*708/*908	8										
90814-*706/*906	6										
90814-*704/*904	4										



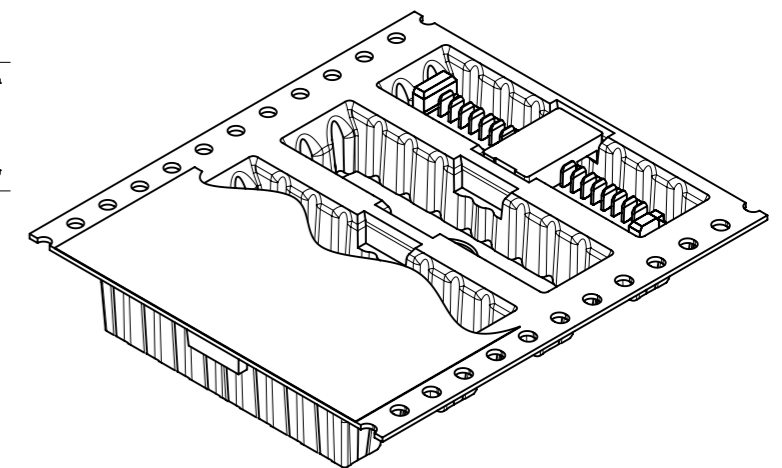
SECTION F-F



SECTION G-G

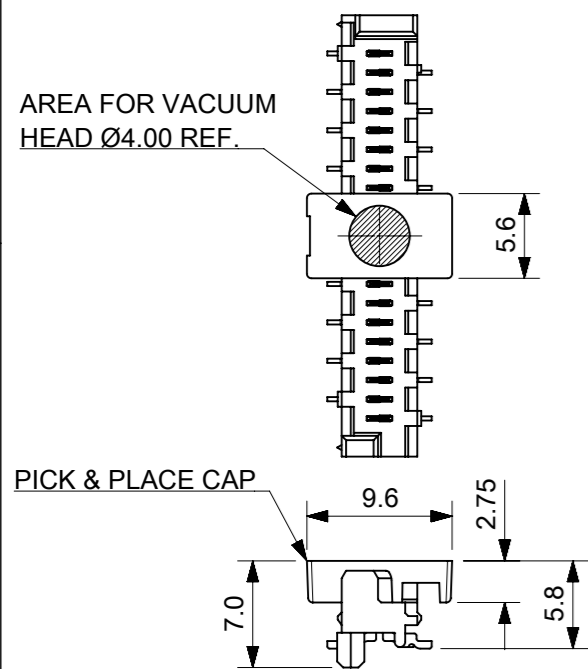


DETAIL H  
SCALE 10:1



LOW-PROFILE SMT PICOFLEX COMPONENT & CAP DETAIL  
PART NUMBERS 90814-\*7\*\*/\*9\*\*

SEE DRAWING NO. SDA-90814 FOR COMPONENT DETAIL



PICK & PLACE CAP

NOTES:

- MATERIAL:  
CARRIER TAPE: VOLUME NON-CONDUCTIVE ANTISTATIC COATED POLYSTYRENE, 0.4 mm REF. THICK, CLEAR.  
COVER TAPE: COLD SEAL POLYESTER, 0.06 mm REF. THICK, TRANSPARENT.
- PITCH TOLERANCE OVER ANY 10 PITCHES ±0.2 mm.
- ALL CAVITY WALLS HAVE DRAFT ANGLE UNLESS STATED OTHERWISE.
- ALL INTERNAL RADII R0.3 MAX.
- PEEL FORCE OF THE COVER TAPE IS 0.1 N TO 1.3 N AT MAXIMUM PEEL SPEED OF 300 mm/MIN, ±10%.
- REFERENCE TO IEC 60286-3.

THIS DRAWING CONTAINS INFORMATION THAT IS PROPRIETARY TO MOLEX ELECTRONIC TECHNOLOGIES, LLC AND SHOULD NOT BE USED WITHOUT WRITTEN PERMISSION		CURRENT REV DESC: REVISED		<b>molex</b>		
DIMENSION UNITS	SCALE					PICOFLEX SMT HEADER BLISTER TAPE
mm	1.5:1			PRODUCT CUSTOMER DRAWING		
GENERAL TOLERANCES (UNLESS SPECIFIED)		EC NO: 169568		DOCUMENT NUMBER		
ANGULAR TOL	± 2.0°	DRWN: BPMURPHY 2017/12/05		908149002		
4 PLACES	±	CHK'D: DSHEA 2018/04/13		DOC TYPE DOC PART REVISION		
3 PLACES	±	APPR: DBYRNES 2018/04/18		PSD 000 B		
2 PLACES	± 0.1	INITIAL REVISION:		SHEET NUMBER		
1 PLACE	± 0.2	DRWN: BPMURPHY 2017/09/25		2 OF 2		
0 PLACES	±	APPR: DBYRNES 2017/11/17				
DRAFT WHERE APPLICABLE MUST REMAIN WITHIN DIMENSIONS		THIRD ANGLE PROJECTION	DRAWING	SERIES	MATERIAL NUMBER	CUSTOMER
			A3-SIZE	90814	SEE TABLE	GENERAL MARKET



- NOTES:
- 1) MATERIAL: HOUSING: NYLON (PA) GLASS FILLED. UL94 V-0, NATURAL (BEIGE)  
TERMINAL - CARTRIDGE BRASS 0.28 REF THICK
  - 2) PLATING:  
TIN: TIN (Sn) 3-5 MICROMETRE OVER 1.27 MICROMETRE MIN NICKEL(Ni).  
GOLD : UNDERPLATED 1.27µm MIN NICKEL  
3-5µm TIN SELECTIVE  
0.76µm MIN. SELECTIVE GOLD
  - 3) MATES WITH MOLEX 90327 PART SERIES.
  - 4) ALL SMT TAILS TO LIE WITHIN A COPLANARITY BAND OF 0.0 - 0.10 REF. FROM EACH OTHER.
  - 5) FOR TAPE AND REEL PACKAGING SEE 908149001 PSD AND 908149002 PSD.  
FOR TUBE PACKAGING SEE PK-90814-001
  - 6) PCB PEGS ARE OPTIONAL.
  - 7) PCB LAYOUT SHOWN ON SHEET 2.
  - 8) PRODUCT SPECIFICATION: PS-99020-0011
  - 9) FOR RECOMMENDED REFLOW PROFILES, REFER TO PS-99020-0011 APPENDIX B

INSPECTION NUMBERS USED ON SHEET 1: 1-50  
LAST INSPECTION NUMBER: 16

90814 - \* \* \*  
CIRCUIT SIZE

	PCB PEGS	TUBE PACKED	TAPE & REEL PACKED	POLARIZING PEG HEIGHT DIMN. E	
0	YES	YES	NO	6.40	STANDARD
2	YES	NO	YES	6.40	PROFILE
3	NO	YES	NO	6.40	REFLOW
5	NO	NO	YES	6.40	NOTE 9
6	NO	YES	NO	4.10	LOW
7	NO	NO	YES	4.10	PROFILE
8	YES	YES	NO	4.10	REFLOW
9	YES	NO	YES	4.10	NOTE 9

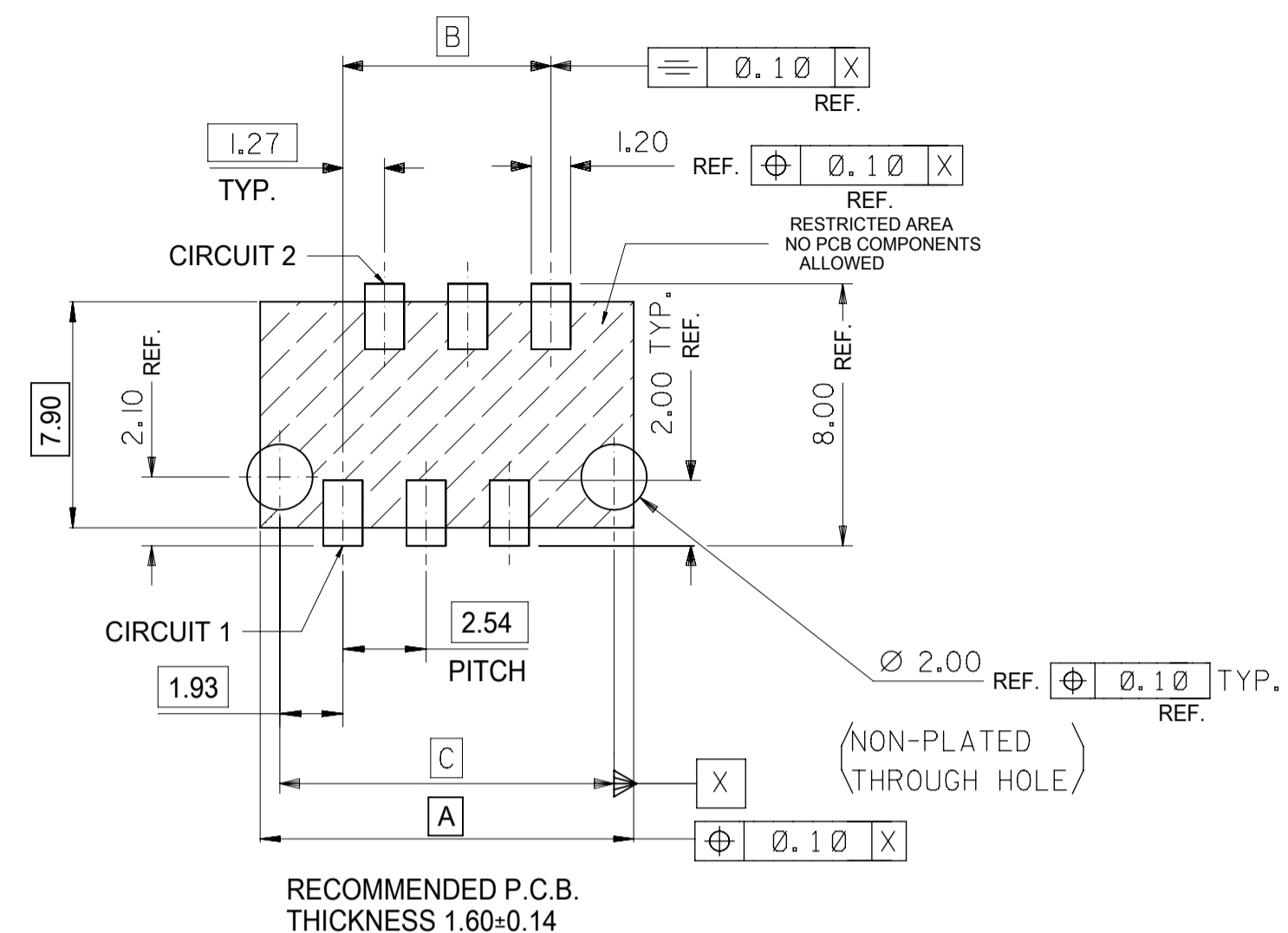
0= 3-5 MICROMETRE TIN VERSION  
3= 0.76µm GOLD PLATING

90814-**-26	26	36.80	31.75	35.60	14	YES
90814-**-24	24	34.26	29.21	33.06	15	YES
90814-**-22	22	31.72	26.67	30.52	16	YES
90814-**-20	20	29.18	24.13	27.98	18	YES
90814-**-18	18	26.64	21.59	25.44	20	YES
90814-**-16	16	24.10	19.05	22.90	22	YES
90814-**-14	14	21.56	16.51	20.36	25	YES
90814-**-12	12	19.02	13.97	17.82	28	YES
90814-**-10	10	16.48	11.43	15.28	32	YES
90814-**-08	8	13.94	8.89	12.74	38	YES
90814-**-06	6	11.40	6.35	10.20	46	YES
90814-**-04	4	8.86	3.81	7.66	60	YES
PART NO.	NUMBER OF CKTS	DIMN. A	DIMN. B	DIMN. C	QUANTITY OF PARTS PER TUBE (-*0**/-*3**/-*6** & -*8** VERSIONS)	TOOLED

THIS DRAWING CONTAINS INFORMATION THAT IS PROPRIETARY TO MOLEX ELECTRONIC TECHNOLOGIES, LLC AND SHOULD NOT BE USED WITHOUT WRITTEN PERMISSION									
DIMENSION UNITS		SCALE		CURRENT REV DESC:					
mm		5:1		<p><b>molex</b></p> <p>PICOFLEX SMT HEADER</p> <p>PRODUCT CUSTOMER DRAWING</p> <p>DOCUMENT NUMBER: <b>SDA-90814</b>   DOC TYPE: PSD   DOC PART: 001   REVISION: AE1</p> <p>MATERIAL NUMBER: SEE CHART   CUSTOMER: GENERAL MARKET   SHEET NUMBER: 1 OF 2</p>					
GENERAL TOLERANCES (UNLESS SPECIFIED)									
ANGULAR TOL ± 0.5°									
4 PLACES ±									
3 PLACES ±									
2 PLACES ± 0.1									
1 PLACE ±									
0 PLACES ±				INITIAL REVISION:		DRWN: DMCNAMAR 2001/08/16		APPR: EFOLEN 2010/11/04	
DRAFT WHERE APPLICABLE MUST REMAIN WITHIN DIMENSIONS				THIRD ANGLE PROJECTION		DRAWING: A2-SIZE		SERIES: 90814	



PCB LAYOUT FOR TRANSITION FIT WITH PCB PEGS  
 HEADER VERSIONS 90814-*x*0*x*/*-x*2*x*/*-x*8*x*/*-x*9*x*,  
 VIEWED FROM COMPONENT SIDE



PCB LAYOUT FOR CLEARANCE FIT WITH PCB PEGS  
 HEADER VERSIONS 90814-*x*0*x*/*-x*2*x*/*-x*8*x*/*-x*9*x*,  
 VIEWED FROM COMPONENT SIDE



PCB LAYOUT FOR HEADERS WITHOUT PCB PEGS  
 HEADER VERSIONS 90814-*x*3*x*/*-x*5*x*/*-x*6*x*/*-x*7*x*,  
 VIEWED FROM COMPONENT SIDE

90814- <i>**</i> 26	26	36.80	31.75	35.60
90814- <i>**</i> 24	24	34.26	29.21	33.06
90814- <i>**</i> 22	22	31.72	26.67	30.52
90814- <i>**</i> 20	20	29.18	24.13	27.98
90814- <i>**</i> 18	18	26.64	21.59	25.44
90814- <i>**</i> 16	16	24.10	19.05	22.90
90814- <i>**</i> 14	14	21.56	16.51	20.36
90814- <i>**</i> 12	12	19.02	13.97	17.82
90814- <i>**</i> 10	10	16.48	11.43	15.28
90814- <i>**</i> 08	8	13.94	8.89	12.74
90814- <i>**</i> 06	6	11.40	6.35	10.20
90814- <i>**</i> 04	4	8.86	3.81	7.66
PART NO.	NUMBER OF CKTS	DIMN. A	DIMN. B	DIMN. C

THIS DRAWING CONTAINS INFORMATION THAT IS PROPRIETARY TO MOLEX ELECTRONIC TECHNOLOGIES, LLC AND SHOULD NOT BE USED WITHOUT WRITTEN PERMISSION

DIMENSION UNITS	SCALE	CURRENT REV DESC:		<b>molex</b>			
mm	5:1			PICOFLEX SMT HEADER			
GENERAL TOLERANCES (UNLESS SPECIFIED)		EC NO: 738955		PRODUCT CUSTOMER DRAWING			
ANGULAR TOL	± 0.5°	DRWN: GOWTHP	2023/02/02	DOCUMENT NUMBER			
4 PLACES	±	CHK'D: GOWTHP	2023/02/16	SDA-90814		DOC TYPE	DOC PART
3 PLACES	±	APPR: ISHWARG	2023/02/20	PSD		001	AE1
2 PLACES	± 0.1	INITIAL REVISION:		SHEET NUMBER			
1 PLACE	±	DRWN: DMCNAMAR	2001/08/16	SEE CHART		GENERAL MARKET	
0 PLACES	±	APPR: EFOLEN	2010/11/04	CUSTOMER		2 OF 2	
DRAFT WHERE APPLICABLE MUST REMAIN WITHIN DIMENSIONS		THIRD ANGLE PROJECTION	DRAWING	SERIES	MATERIAL NUMBER	SHEET NUMBER	
			A2-SIZE	90814	SEE CHART	2 OF 2	