

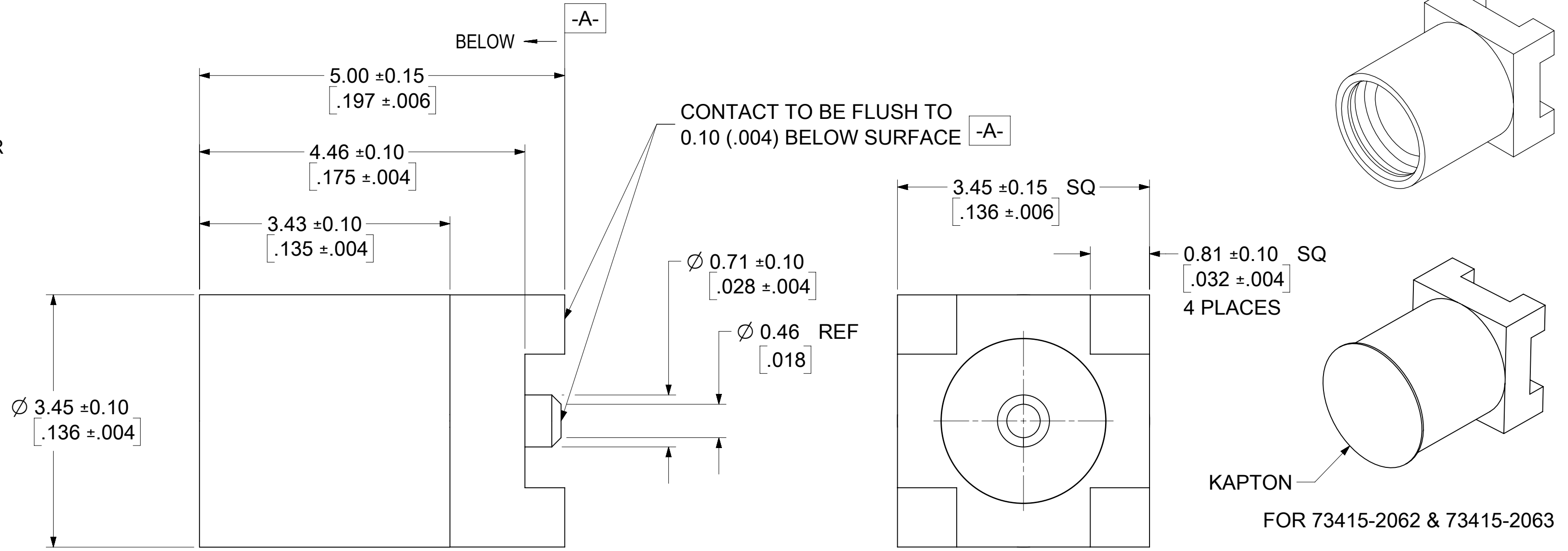
MATERIALS AND FINISHES

BODY BRASS
PLATED GOLD

CENTER CONTACT BERYLLIUM COPPER
PLATED GOLD

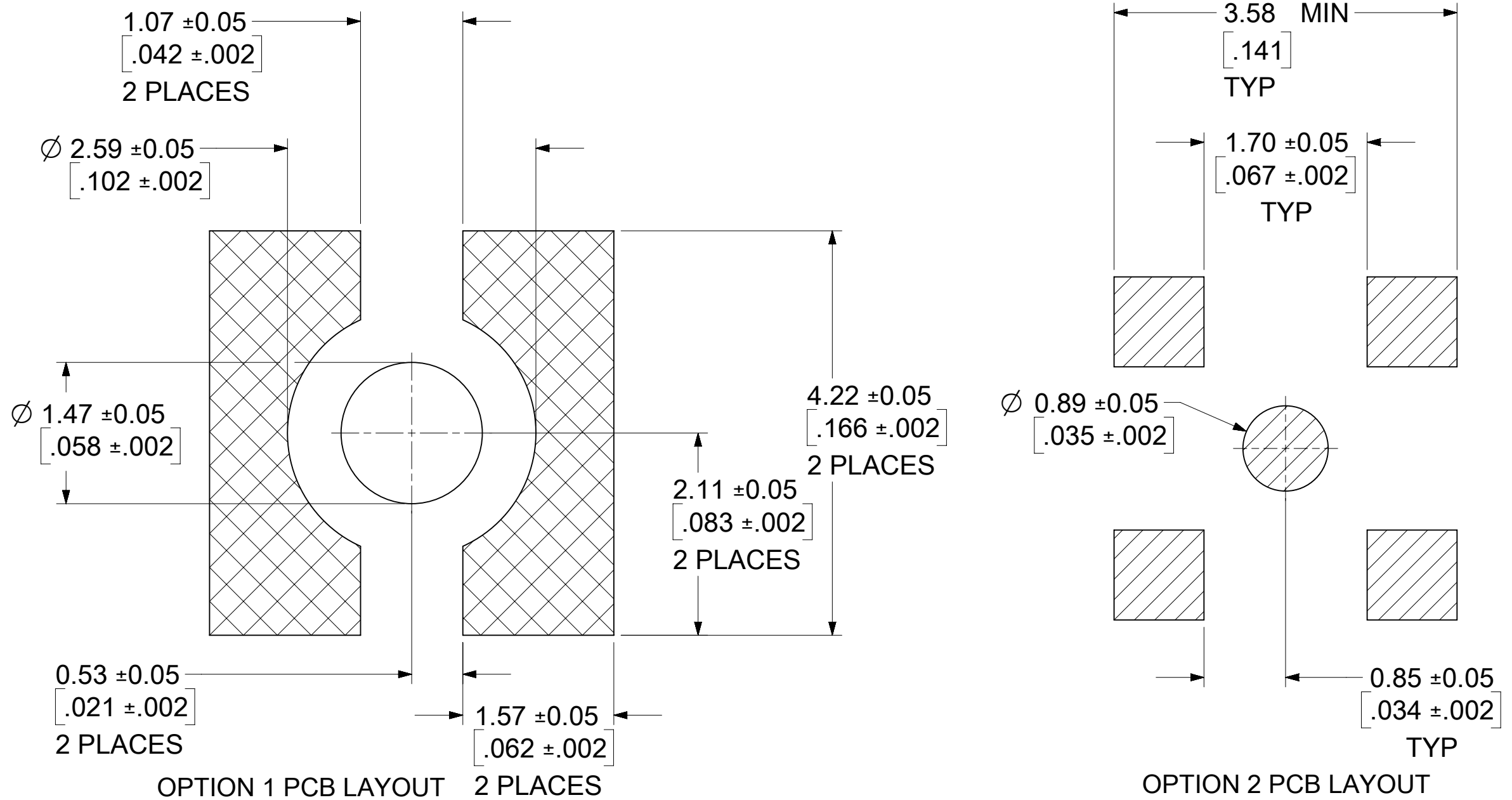
INSULATOR TEFLON

KAPTON
COLOR AMBER

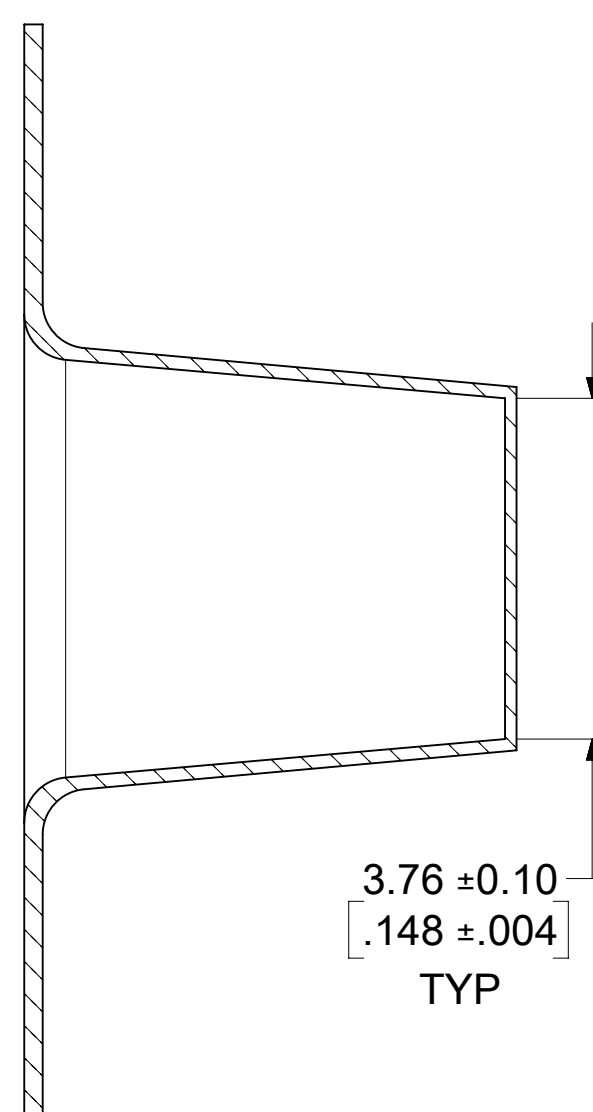
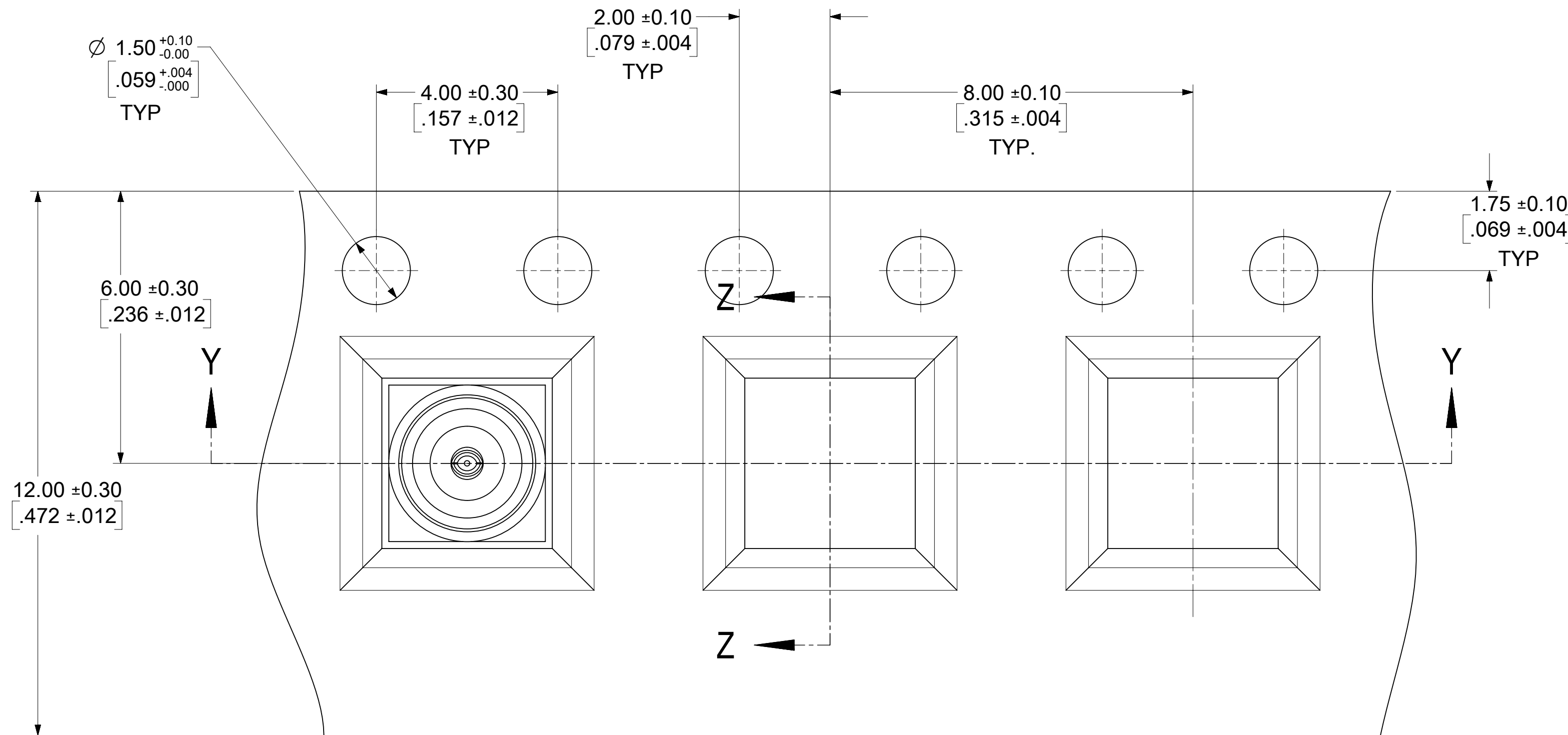


PS-89675-1920	ELECTRO/MECH PERFORM.
SPECIFICATION	DESCRIPTION

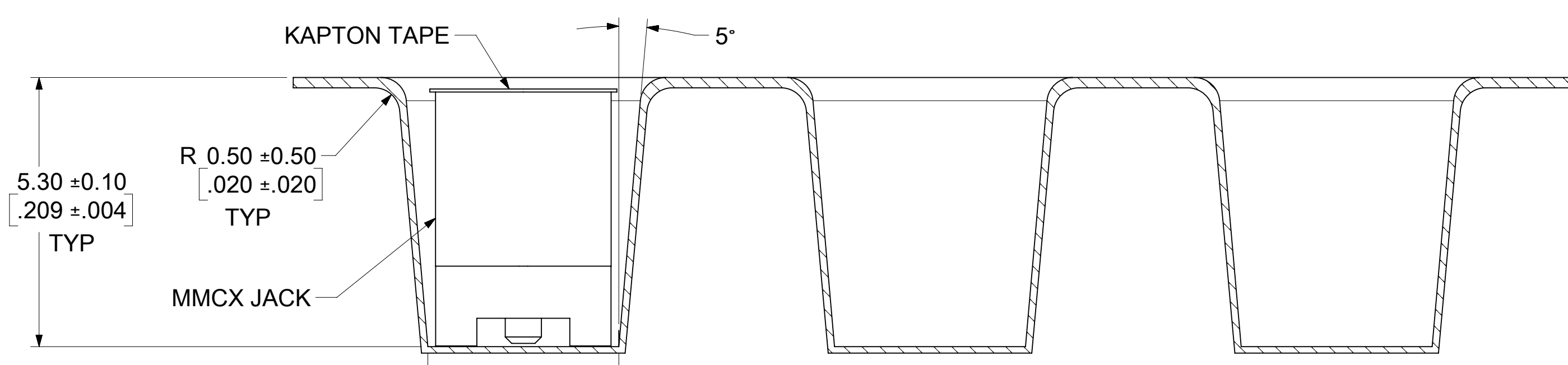
73415-2065	73415-2061 WITH TAPE & REEL WITHOUT KAPTON
73415-2064	73415-2061. ONE PER BAG
73415-2063	73415-2061 WITH TAPE & REEL/KAPTON
73415-2062	73415-2060 WITH TAPE & REEL/KAPTON
73415-2061	PER COMMERCIAL REQUIREMENTS, PACKING TRAY
73415-2060	PER MILITARY REQUIREMENTS, PACKING TRAY
PART NO.	PLATING



FUNCTIONAL SYMBOLS FA = 0 EC = 0 EP = 0 DIVISIONAL SYMBOLS 4 PLACES ± 3 PLACES ± 2 PLACES ± 1 PLACE ± 0 PLACES ±	THIS DRAWING CONTAINS INFORMATION THAT IS PROPRIETARY TO MOLEX ELECTRONIC TECHNOLOGIES, LLC AND SHOULD NOT BE USED WITHOUT WRITTEN PERMISSION		SCALE MM/INCH NTS		CURRENT REV DESC: EWR # 15708-A : ADDED PACKAGING SPEC FOR -2060 & -2061 PART NO					
	GENERAL TOLERANCES (UNLESS SPECIFIED) ANGULAR TOL ± 2.0°		EC NO: 740907 DRWN: JSU18 CHK'D: YCHENG APPR: YCHENG		2023/03/02 2023/03/16 2023/03/16				MMX JACK, VERTICAL PCB/SMT 50 OHMS MMX-J/PCB	
	DRAFT WHERE APPLICABLE MUST REMAIN WITHIN DIMENSIONS		THIRD ANGLE PROJECTION		DRAWING C-SIZE		SERIES 73415		PRODUCT CUSTOMER DRAWING	
	DOCUMENT NUMBER SD-73415-206		DOC TYPE PSD		DOC PART 001		REVISION B2		MATERIAL NUMBER CUSTOMER GENERAL MARKET	



SECTION Z-Z



SECTION Y-Y

FUNCTIONAL SYMBOLS $\nabla_A = 0$ $\nabla_C = 0$ $\nabla_P = 0$ DIVISIONAL SYMBOLS	THIS DRAWING CONTAINS INFORMATION THAT IS PROPRIETARY TO MOLEX ELECTRONIC TECHNOLOGIES, LLC AND SHOULD NOT BE USED WITHOUT WRITTEN PERMISSION									
	DIMENSION UNITS	SCALE	CURRENT REV DESC: EWR # 15708-A : ADDED PACKAGING SPEC FOR -2060 & -2061 PART NO							
	MM/INCH	NTS	EC NO: 740907 DRWN: JSU18 CHK'D: YCHENG APPR: YCHENG INITIAL REVISION: DRWN: TFLAHERTY APPR: JWIENER							
	GENERAL TOLERANCES (UNLESS SPECIFIED)									
ANGULAR TOL $\pm 2.0^\circ$		4 PLACES \pm		2023/03/02		2023/03/16		2023/03/16		
3 PLACES \pm		3 PLACES \pm		2006/02/09		2006/02/09		2006/02/09		
2 PLACES \pm		1 PLACE \pm		0 PLACES \pm		DRAFT WHERE APPLICABLE MUST REMAIN WITHIN DIMENSIONS		THIRD ANGLE PROJECTION		
DRAWING		SERIES		MATERIAL NUMBER		CUSTOMER		SHEET NUMBER		
C-SIZE		73415		SD-73415-206		GENERAL MARKET		2 OF 5		

molex

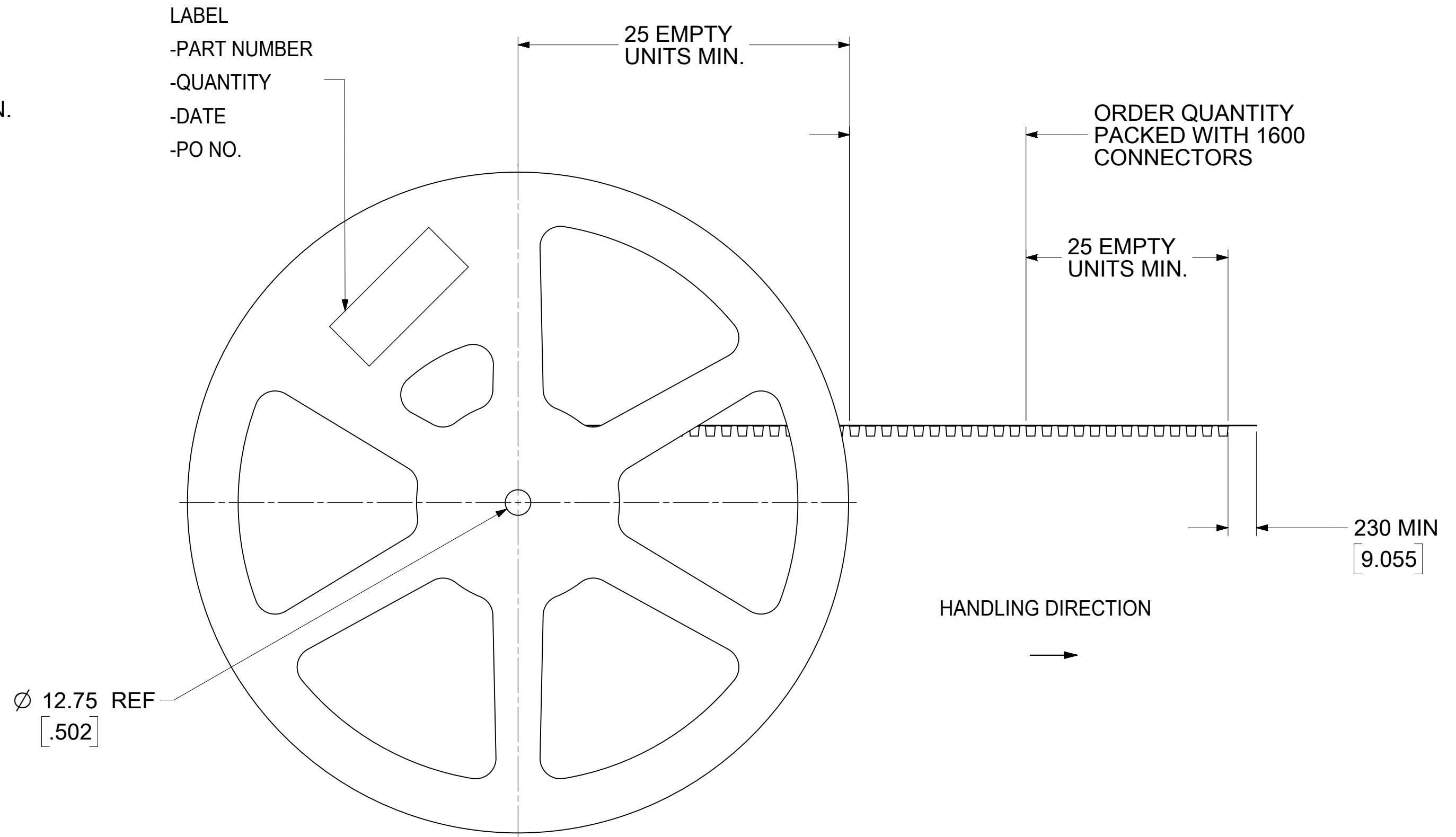
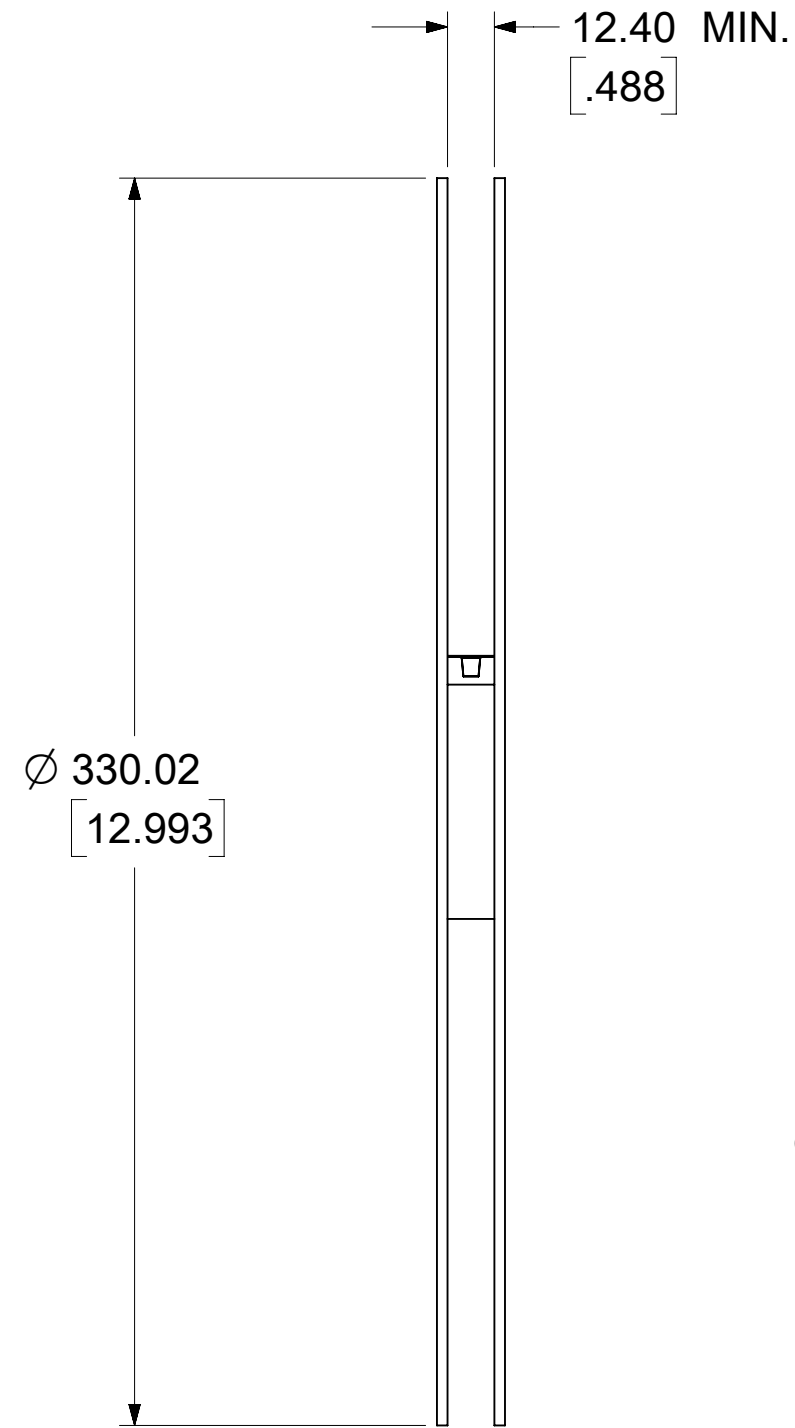
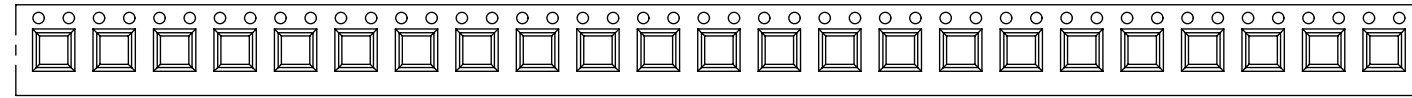
MMCX JACK, VERTICAL PCB/SMT 50 OHMS MMCX-J/PCB

PRODUCT CUSTOMER DRAWING

SD-73415-206

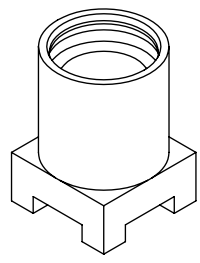
PSD 001 B2

NOTE:
13" REEL SIZE FOR 1600 PIECES

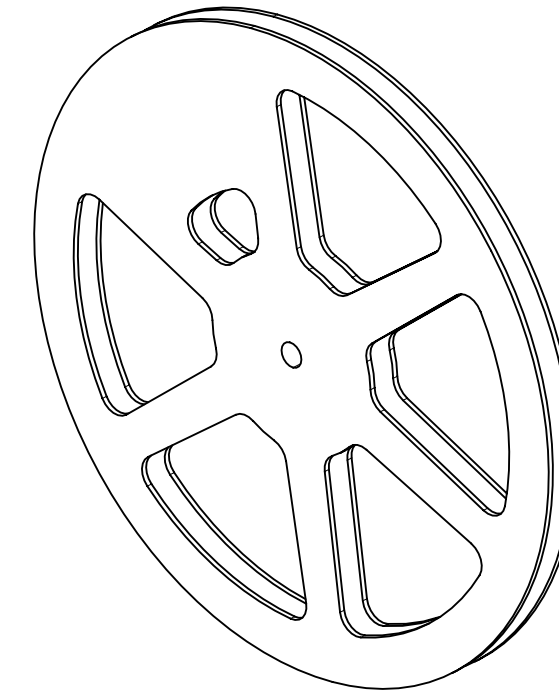
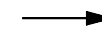
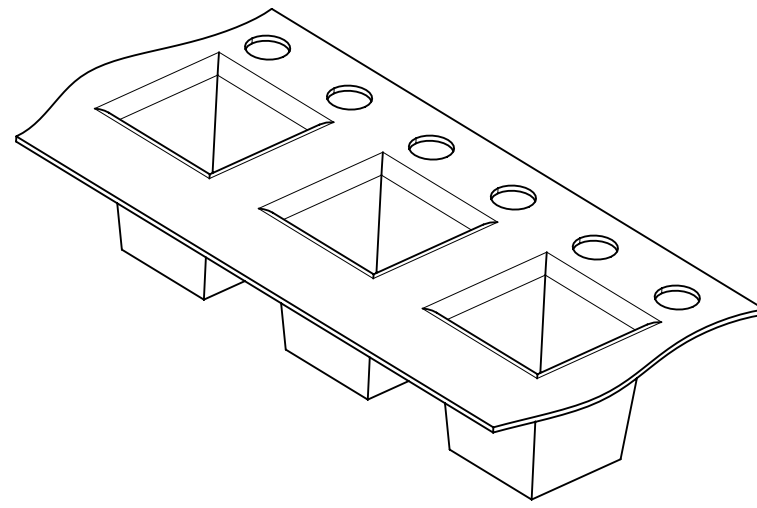
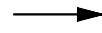


FUNCTIONAL SYMBOLS	THIS DRAWING CONTAINS INFORMATION THAT IS PROPRIETARY TO MOLEX ELECTRONIC TECHNOLOGIES, LLC AND SHOULD NOT BE USED WITHOUT WRITTEN PERMISSION										
	DIMENSION UNITS	SCALE	CURRENT REV DESC: EWR # 15708-A : ADDED PACKAGING SPEC FOR -2060 & -2061 PART NO								molex
$\frac{F}{A} = 0$	MM/INCH	NTS	EC NO: 740907								
$\frac{F}{C} = 0$	GENERAL TOLERANCES (UNLESS SPECIFIED)		DRWN: JSU18 2023/03/02								
$\frac{F}{P} = 0$	ANGULAR TOL $\pm 2.0^\circ$		CHK'D: YCHENG 2023/03/16								
DIVISIONAL SYMBOLS	4 PLACES \pm		APPR: YCHENG 2023/03/16								PRODUCT CUSTOMER DRAWING
	3 PLACES \pm		INITIAL REVISION:								DOCUMENT NUMBER
	2 PLACES \pm		DRWN: TFLAHERTY 2006/02/09								SD-73415-206
	1 PLACE \pm		APPR: JWIENER 2006/02/09								PSD 001 B2
0 PLACES \pm		DRAFT WHERE APPLICABLE MUST REMAIN WITHIN DIMENSIONS		THIRD ANGLE PROJECTION		DRAWING	SERIES	MATERIAL NUMBER	CUSTOMER	SHEET NUMBER	
				C-SIZE	73415			GENERAL MARKET		3 OF 5	

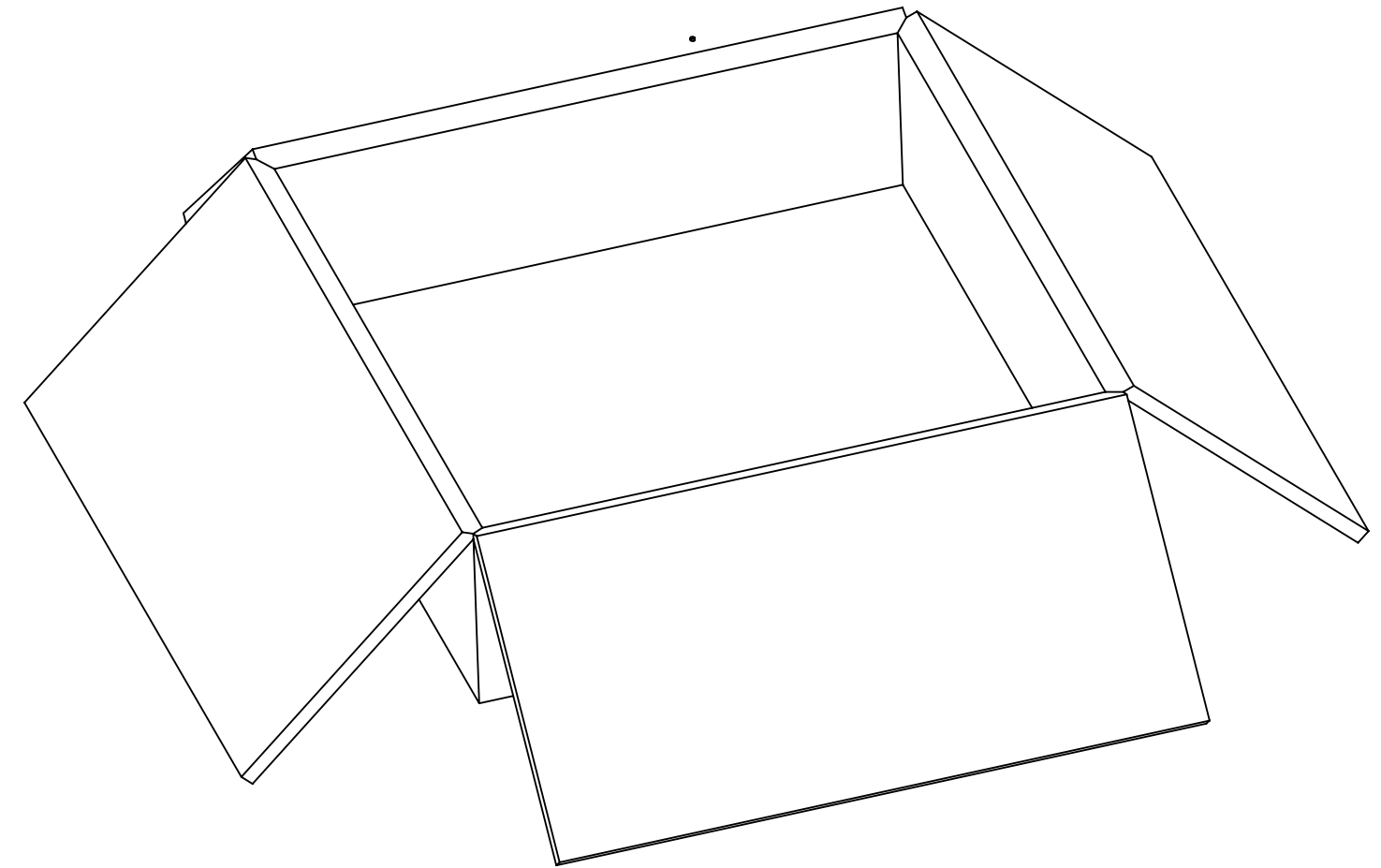
DOCUMENT STATUS	P1	RELEASE DATE	2023/03/16	04:28:02
-----------------	----	--------------	------------	----------



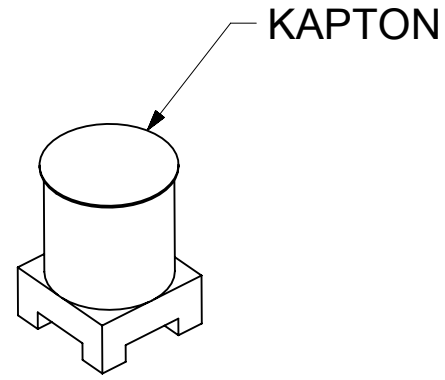
PART NO. 73415-2065



1600 SET PER 13" REEL



8000 CONNECTORS PER
OUTER CARTON BOX
339 X 339 X 100 REF.

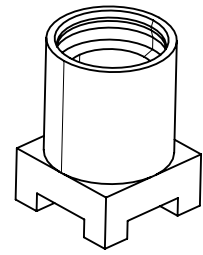


KAPTON

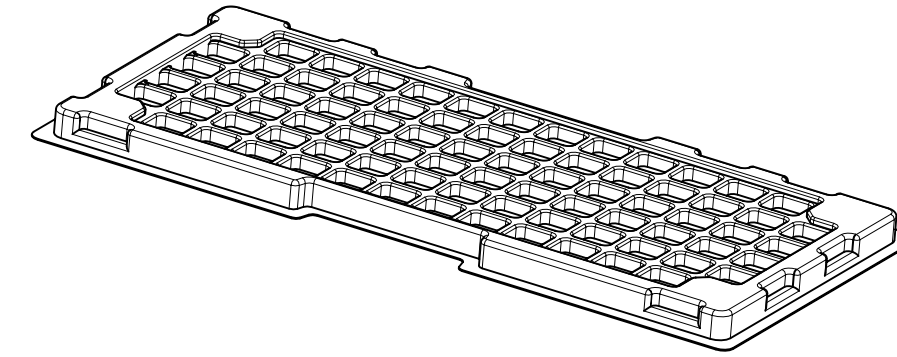
PART NO 73415-2062
PART NO 73415-2063

FUNCTIONAL SYMBOLS	THIS DRAWING CONTAINS INFORMATION THAT IS PROPRIETARY TO MOLEX ELECTRONIC TECHNOLOGIES, LLC AND SHOULD NOT BE USED WITHOUT WRITTEN PERMISSION											
	DIMENSION UNITS	SCALE	CURRENT REV DESC: EWR # 15708-A : ADDED PACKAGING SPEC FOR -2060 & -2061 PART NO								molex	
$\frac{F}{A} = 0$	MM/INCH	NTS	GENERAL TOLERANCES (UNLESS SPECIFIED)									
$\frac{F}{C} = 0$	ANGULAR TOL $\pm 2.0^\circ$		EC NO: 740907								PRODUCT CUSTOMER DRAWING	
$\frac{F}{P} = 0$	4 PLACES	\pm	DRWN: JSU18 2023/03/02								DOCUMENT NUMBER	
DIVISIONAL SYMBOLS	3 PLACES	\pm	CHK'D: YCHENG 2023/03/16								DOC TYPE	
	2 PLACES	\pm	APPR: YCHENG 2023/03/16								DOC PART	
	1 PLACE	\pm	INITIAL REVISION:								REVISION	
	0 PLACES	\pm	DRWN: TFLAHERTY 2006/02/09								SD-73415-206	
DRAFT WHERE APPLICABLE MUST REMAIN WITHIN DIMENSIONS		THIRD ANGLE PROJECTION		DRAWING		SERIES		MATERIAL NUMBER		CUSTOMER		
				C-SIZE		73415		GENERAL MARKET		SHEET NUMBER		
										4 OF 5		

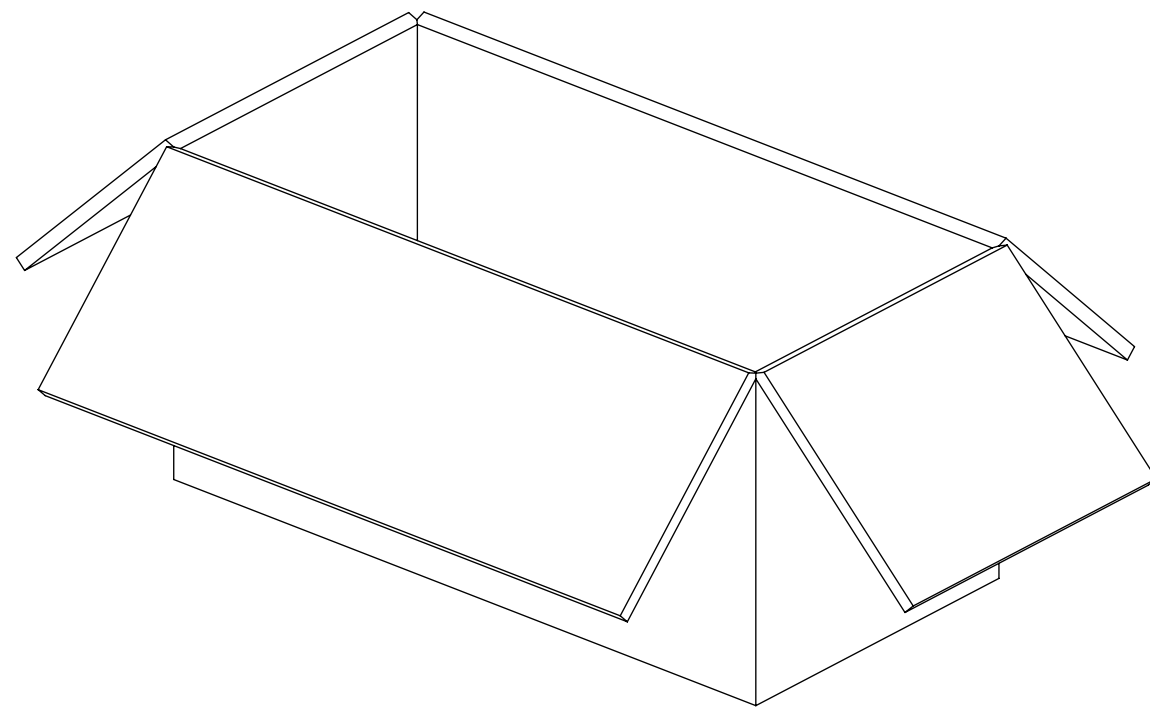
DOCUMENT STATUS	P1	RELEASE DATE	2023/03/16	04:28:02
-----------------	----	--------------	------------	----------



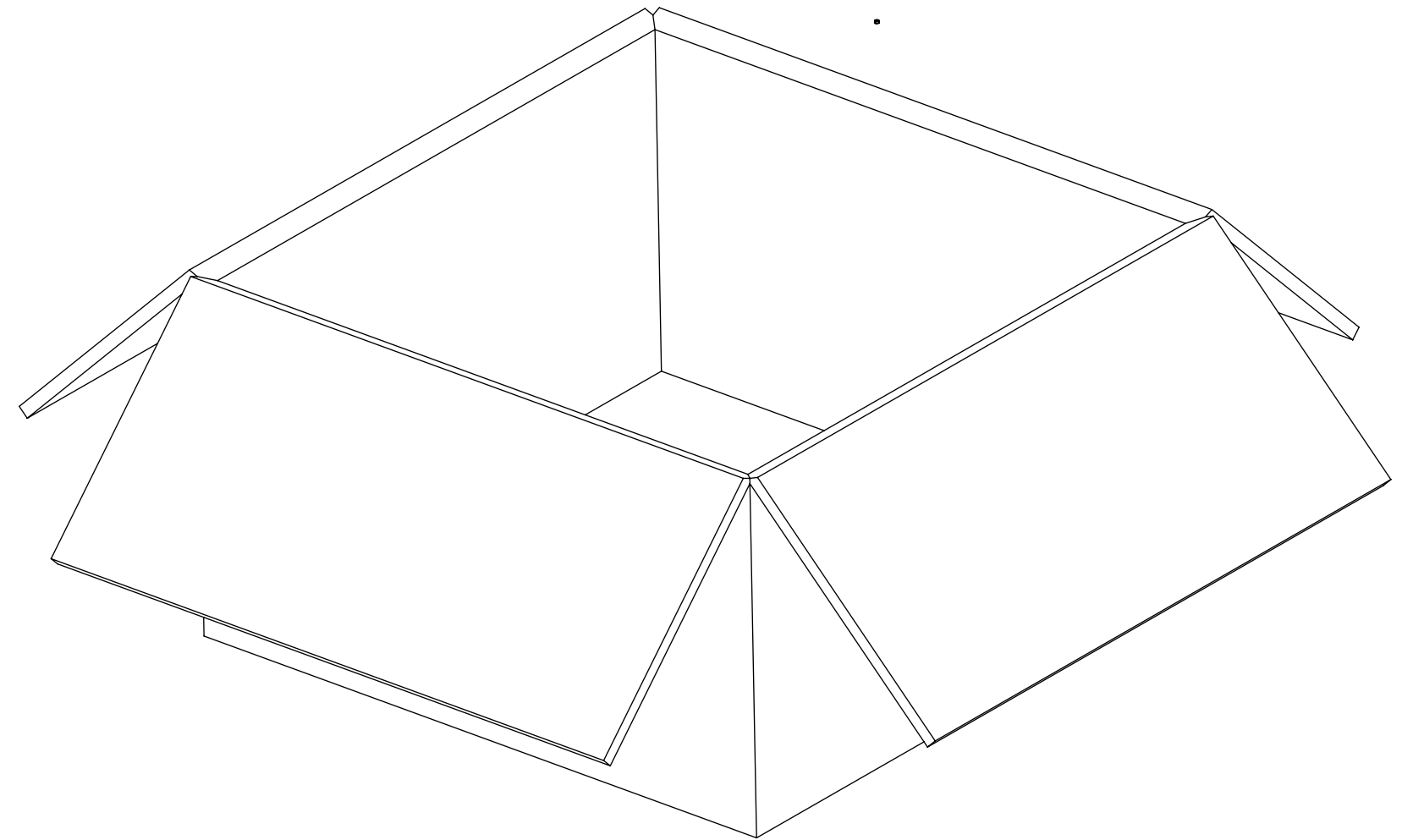
PART NO : 73415-2060
PART NO : 73415-2061



80 SET PER TRAY
P/N: 89707-0190



1600 SET PER INNER CARTON BOX
P/N: 96707-0001



3200 SET PER OUTER CARTON BOX
P/N: 96708-0005

FUNCTIONAL SYMBOLS	THIS DRAWING CONTAINS INFORMATION THAT IS PROPRIETARY TO MOLEX ELECTRONIC TECHNOLOGIES, LLC AND SHOULD NOT BE USED WITHOUT WRITTEN PERMISSION										
	DIMENSION UNITS	SCALE	CURRENT REV DESC: EWR # 15708-A : ADDED PACKAGING SPEC FOR -2060 & -2061 PART NO								molex
$\frac{F}{A} = 0$	MM/INCH	NTS	GENERAL TOLERANCES (UNLESS SPECIFIED)		EC NO: 740907		2023/03/02		MMCX JACK, VERTICAL PCB/SMT 50 OHMS MMCX-J/PCB		
$\frac{F}{C} = 0$			ANGULAR TOL $\pm 2.0^\circ$		DRWN: JSU18		2023/03/16		PRODUCT CUSTOMER DRAWING		
$\frac{F}{P} = 0$			4 PLACES \pm		CHK'D: YCHENG		2023/03/16		DOCUMENT NUMBER		
DIVISIONAL SYMBOLS			3 PLACES \pm		APPR: YCHENG		2023/03/16		DOC TYPE		
			2 PLACES \pm		INITIAL REVISION:				DOC PART		
			1 PLACE \pm		DRWN: TFLAHERTY		2006/02/09		REVISION		
			0 PLACES \pm		APPR: JWIENER		2006/02/09		SD-73415-206		
DRAFT WHERE APPLICABLE MUST REMAIN WITHIN DIMENSIONS			THIRD ANGLE PROJECTION		DRAWING		SERIES		MATERIAL NUMBER		
					C-SIZE		73415		CUSTOMER		
									GENERAL MARKET		
									SHEET NUMBER		
									5 OF 5		

DOCUMENT STATUS	P1	RELEASE DATE	2023/03/16	04:28:02
-----------------	----	--------------	------------	----------