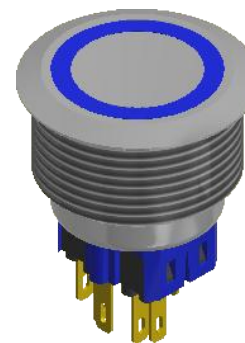
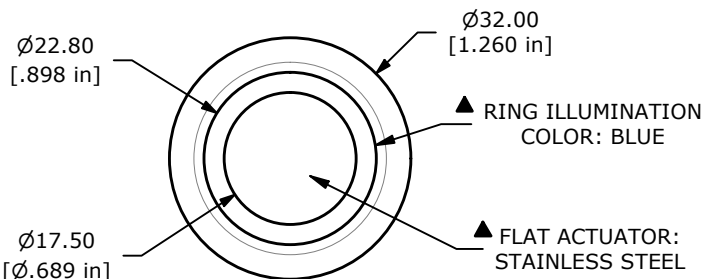
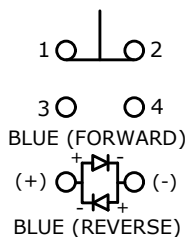


PANEL CUTOUT
MAX. PANEL THICKNESS 10mm

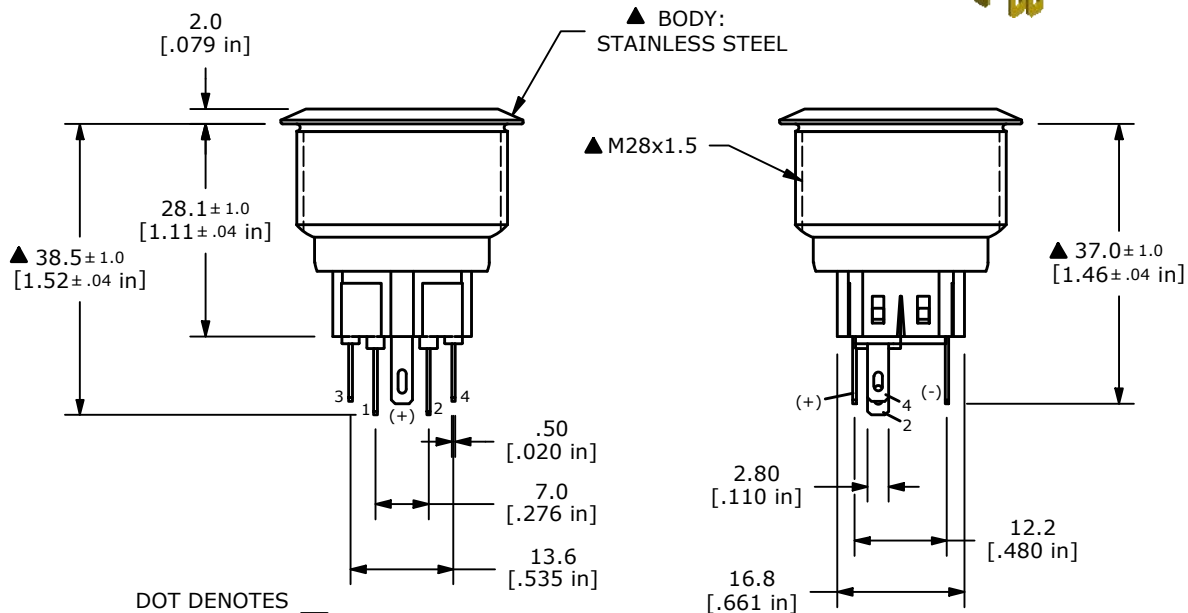


▲ SWITCH FUNCTION

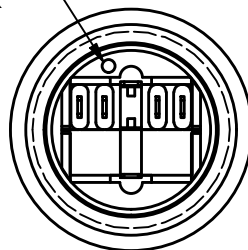
POS. 1	POS. 2
1-2 ON	1-2 (OFF)
3-4 OFF	3-4 (ON)



CONTACT CONFIGURATION
▲ SPDT ON-(OFF) / OFF-(ON)
() DENOTES MOMENTARY FUNCTION



DOT DENOTES LED COLOR



NOTE:

- ALL DIMENSIONS IN MM [INCH]
- GENERAL TOLERANCE: X.X = ± 0.4
X.XX = ± 0.25
- TERMINAL NUMBERS FOR REF. ONLY
- RATING: 2A @ 48VDC
- CONTACT RESISTANCE: 50mΩ MAX. @ 1A 12VDC
- INSULATION RESISTANCE: 1,000MΩ @ 500VDC
- DIELECTRIC STRENGTH: 2,000VAC MIN. FOR 1 MINUTE
- ELECTRICAL LIFE: 50,000 CYCLES
- OPERATING TEMPERATURE: -20°C TO 55°C
- INGRESS PROTECTION: IP66
- ▲ 11. SUPPLIED HARDWARE: O-RING AND HEXNUT
- ▲ 12. ▲ DENOTES CRITICAL PARAMETER
- ▲ 13. ILLUMINATION COLOR: BLUE
- ▲ 14. ILLUMINATION VOLTAGE: 12V

REV	PCR NO	DESCRIPTION	DATE	BY
C	24648	UPDATE THREAD LENGTH TO 15.0	12/18/20	JM
B	23841	UPDATED RATING TO IP66	4/8/19	MJR
A	22599	RELEASE FOR PRODUCTION	11/23/16	MW



TITLE PV9F2Y0SS-344				
SCALE 1:1	DATE 11/23/2016	DR MW	DWG 52-PV9F2Y0SS344	REV C