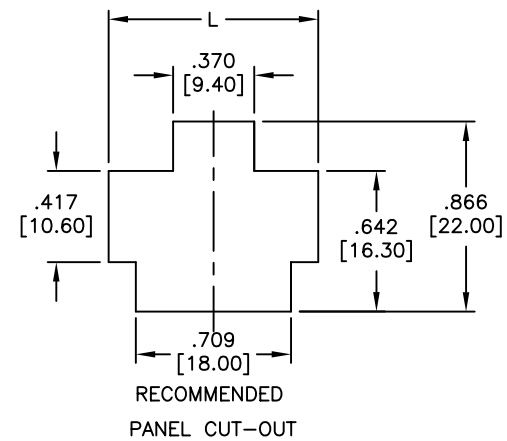
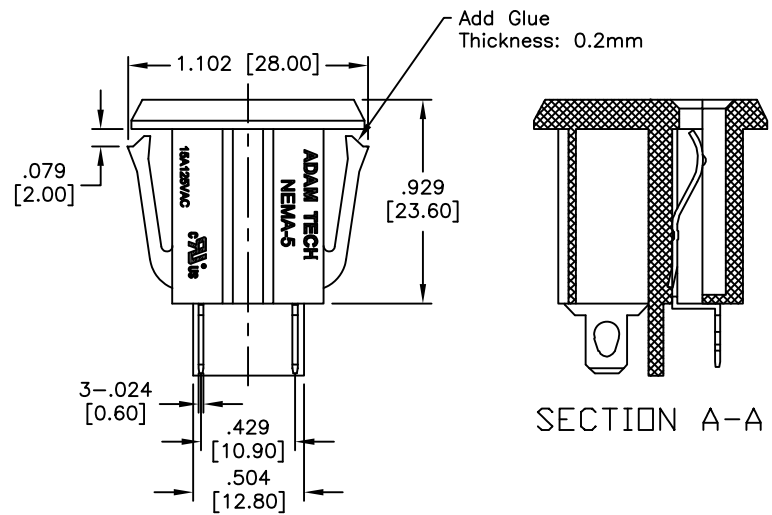
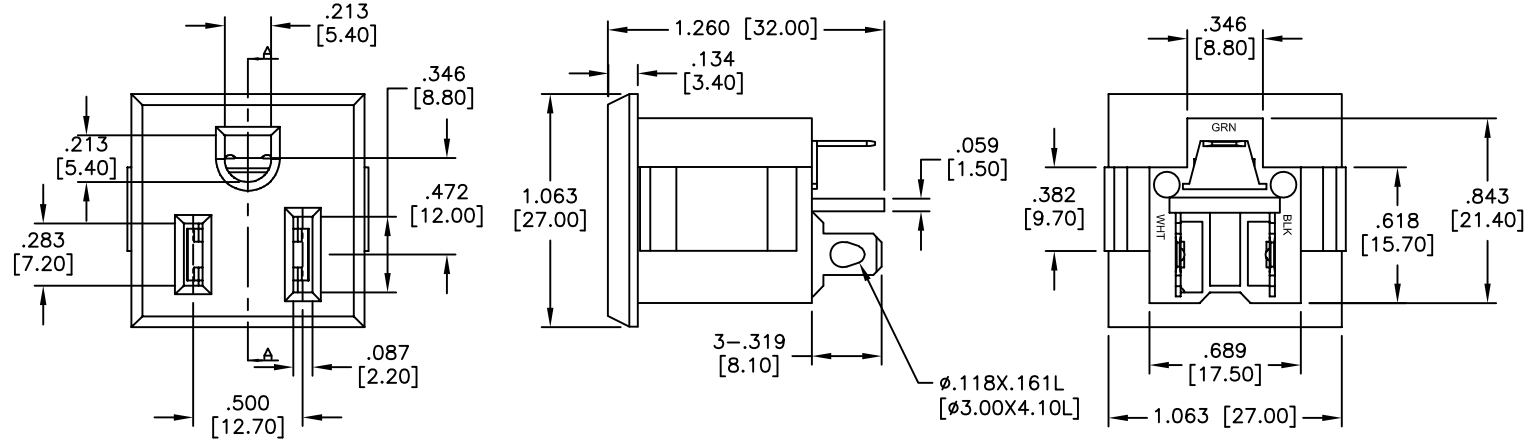


APPROVED: \_\_\_\_\_  
 DATE: \_\_\_\_\_ TITLE: \_\_\_\_\_

Rev	AWO #	Description	Date	Appr
-		RELEASED	7/31/13	
A		ADDED & REVISED DIM.	8/19/13	
B		UPDATED DRAWING	8/30/16	HR/CH
C		UPDATED DIM.	8/17/18	AY/KC
D		UPDATED DESCRIPTION	8/24/18	AY/KC



PANEL THICKNESS	DIM " L "
.031 [0.80]	.945 [24.00]
.039 [1.00]	.969 [24.60]
.047 [1.20]	.992 [25.20]
.063 [1.60]	1.031 [26.20]

**SPECIFICATIONS:**

Material:  
 Insulator: Nylon66, rated UL 94V-0  
 Insulator color: Black  
 Contacts: Copper Alloy  
 Plating:  
 Tin over Copper underplate overall  
 Electrical:  
 Rating: 15A, 125V (C-ULus)  
 Insulation resistance: 100 Mohms min @ 500 VDC  
 Dielectric withstanding voltage: 3,000 VAC for 1 minute  
 Environmental:  
 Lead free, RoHS compliant



UNLESS OTHERWISE SPECIFIED ALL DIMENSIONS ARE INCHES [MM] TOLERANCES: EXCEPT AS NOTED			
INCHES		HOLES	
.X	± .10	Ø.X	± .10
.XX	± .020	Ø.XX	± .015
.XXX	± .015	Ø.XXX	± .010
APPROVALS		DATE	
DRAWN	AY	7/31/13	
CHECKED	LW	7/31/13	
APPROVED			

**ADAM TECH INTERCONNECTS**  
 909 Rahway Avenue,  
 Union, NJ 07083  
 Phone: 908-687-5000  
 Fax: 908-687-5710

TITLE NEMA RECEPTACLE			
SIZE X	PART NO. NEMA-5-1-B	REV. D	
REF: S00087C	SCALE: NTS	SHEET 1 OF 1	