

Temperature Compensated Crystal Oscillators (TCXO) Surface Mount Type TCXO (LSI Type) KT2520 Series for GPS



2.5×2.0mm



Ph Free

RoHS Compliant

Features

- Ultra-miniature SMD type (2.5×2.0×0.8mm)
- Frequency stability : $\pm 0.5 \times 10^{-6} / -30$ to $+85^\circ\text{C}$
- 1.7 to 3.5V drive available
- Reflow compatible

Applications

- GPS Units

How to Order

KT2520F 16369 A C W 18 T xx
① ② ③ ④ ⑤ ⑥ ⑦ ⑧

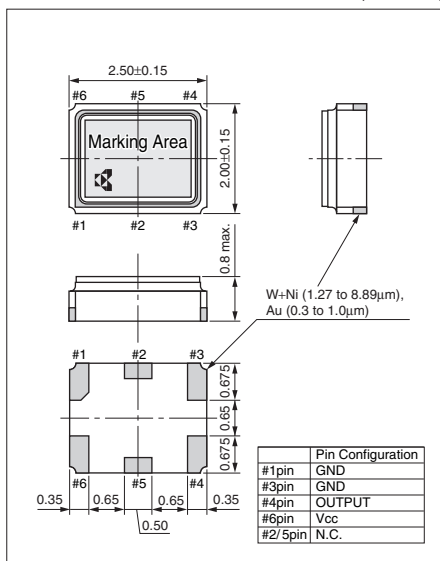
- | | |
|----------------------------|-------------------------|
| ① Series | ⑥ Supply Voltage |
| ② Output Frequency | 18 1.8V 28 2.8V |
| ③ Frequency Tolerance | ⑦ Voltage Control Range |
| A $\pm 0.5 \times 10^{-6}$ | TCXO T |
| ④ Lower Operating Temp. | ⑧ Option Code |
| C -30°C | |
| E -20°C | |
| G -10°C | |
| ⑤ Upper Operating Temp. | |
| W $+85^\circ\text{C}$ | |
| V $+80^\circ\text{C}$ | |
| U $+75^\circ\text{C}$ | |

Specifications

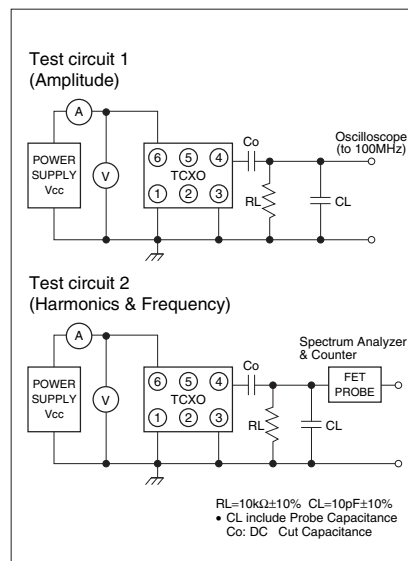
Item	Symbol	Conditions	Min.	Max.	Units
Output Frequency Range	f_o	Standard Frequency: 16.368, 16.369, 19.2, 23.104, 24.5535, 26, 27.456	—	—	MHz
Frequency Tolerance	f_{tol}	vs Temperature	-0.5	+0.5	$\times 10^{-6}$
		vs Load	-0.2	+0.2	
		vs Voltage	-0.3	+0.3	
Frequency Aging	f_{age}	Per Year	-1	+1	$\times 10^{-6}$
Storage Temperature Range	T_{stg}		-40	+85	$^\circ\text{C}$
Operating Temperature Range	T_{use}		-30	+85	$^\circ\text{C}$
Supply Voltage	V_{CC}		1.7	3.5	V
Output Level	V_{pp}	10k ohm // 10pF	0.8	—	Vp-p
Current Consumption	I_{CC}		—	2	mA
Harmonics	—		—	-5	dBc

Dimensions

(Unit: mm)



Test Circuit



Recommended Land Pattern

(Unit: mm)

