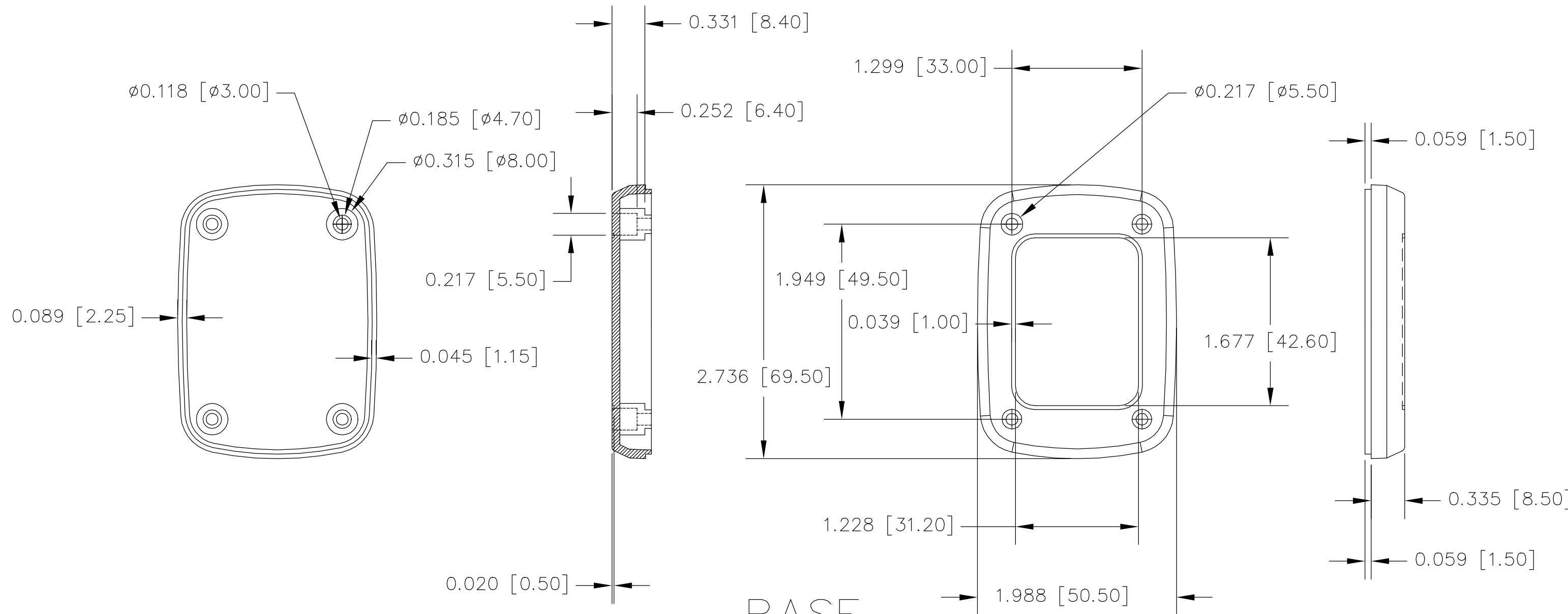
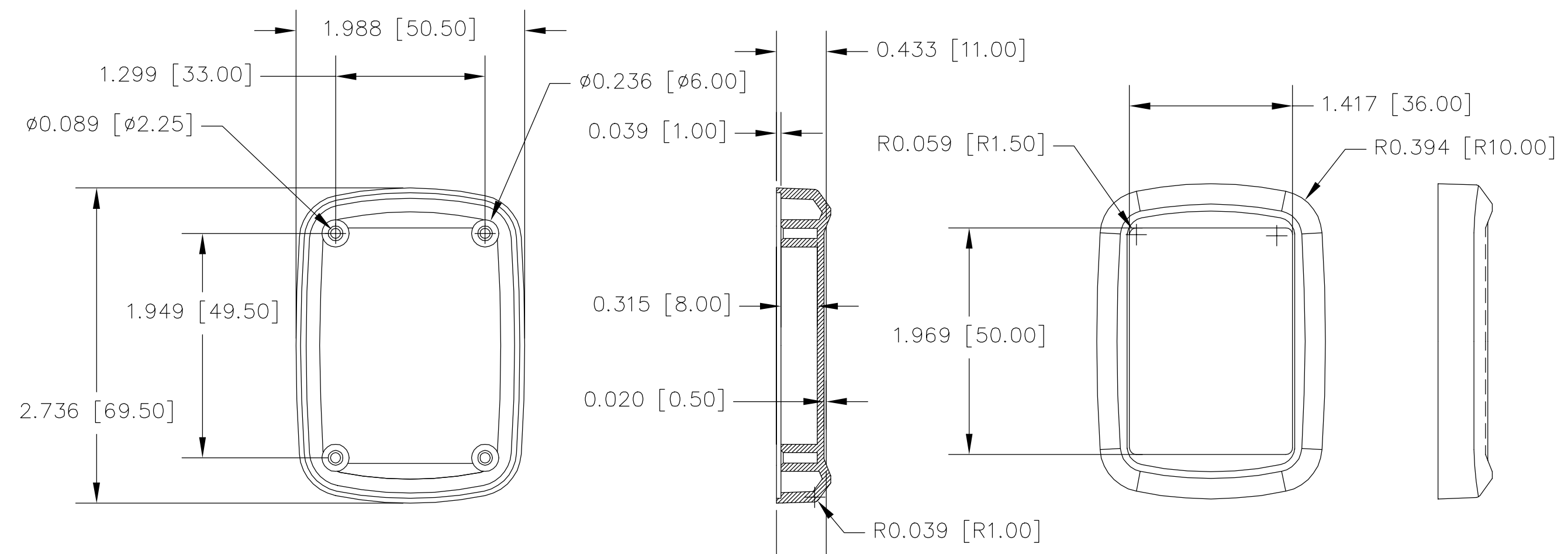


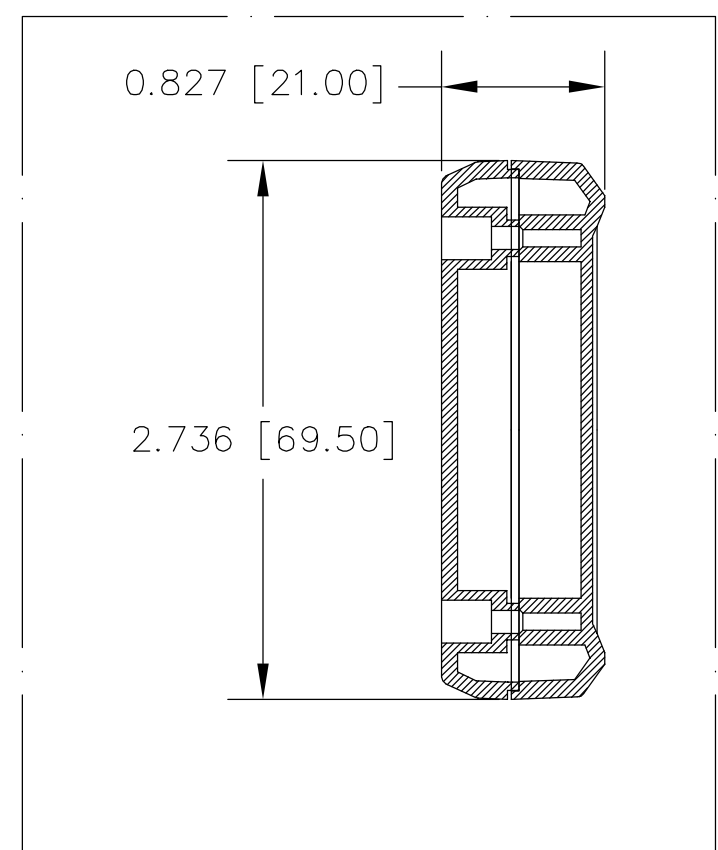
DWG. NO.	HH-3641
ISSUE	REVISIONS
(A)	SCREW DESCRIPTION ADDED 7-9-15




BASE



LID



MATERIAL : FLAME RETARDANT OF ABS (UL94-V0)
COLOR: BLACK
FINISH:
 SHELL EXTERIOR SURFACES ARE TEXTURED.
 RECESSED AREAS ON EXTERIOR ARE SMOOTH.
 FOUR (4) INTERNAL BOSSES ON EACH SHELL ARE DESIGNED TO TRAP PCB BETWEEN ASSEMBLED SHELL HALVES.
 FOUR (4) #4-24 x .375 LG. SCREWS (BLACK) ARE SUPPLIED FOR ASSEMBLING SHELL HALVES
 ALL DIMENSIONAL TOLERANCES ARE +/- .015

QTY.	USED ON	TOLERANCES:	ITEM	REQ'D.	PART NO.	DESCRIPTION	
		±.005 BETWEEN HOLE CENTERS ±.015 FROM SHEARED EDGE ±.032 FROM A BENT SURFACE ±.063 BETWEEN ASSEMBLED SURFACES UNLESS OTHERWISE SPECIFIED	MAT:	NOTED	SCALE:	NAME:	
			FINISH:	BLACK	DR. RD	10-13-08	HAND-HELD BOX STYLE P 2.74 X 1.97 X .83
			CH.		 BUD INDUSTRIES, INC. WILLOUGHBY, OHIO		DWG. NO.
			APP.				HH-3641