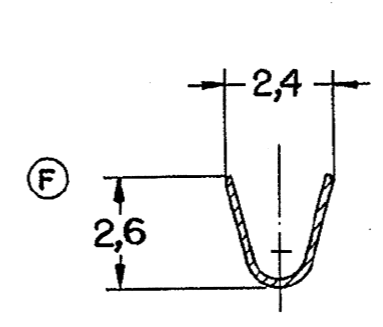
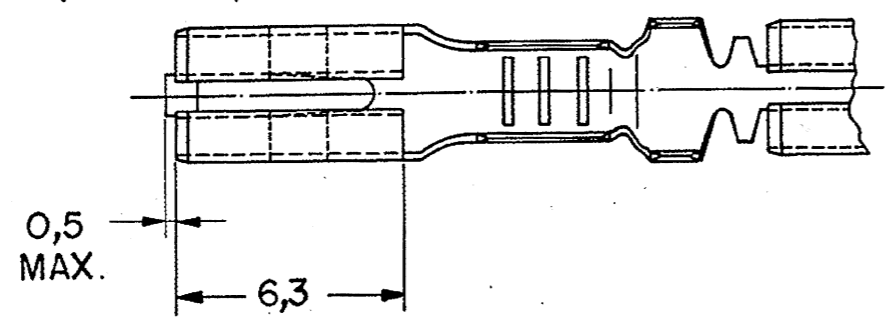
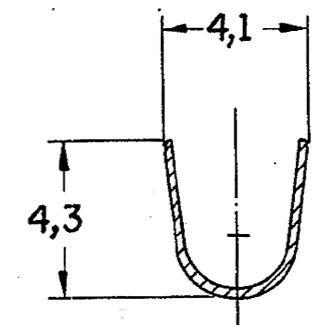


DWG NO.		DO NOT SCALE		<b>METRIC</b>		3rd ANGLE PROJECTION	
		DIMENSIONS IN mm.					
REQ. PER ASSY	ITEM	DESCRIPTION	MATERIAL	FINISH			

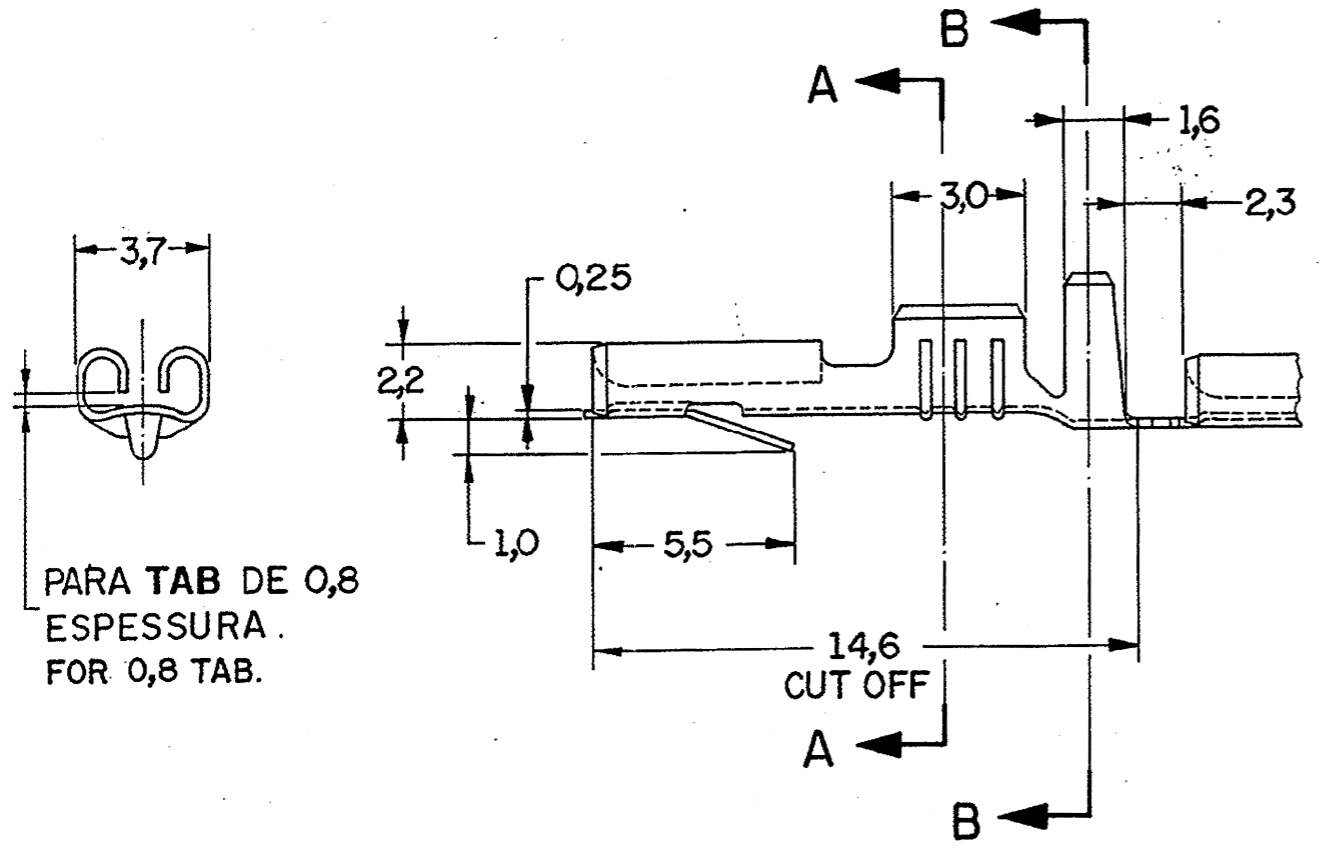


SECCÃO A-A  
SECTION



SECCÃO B-B  
SECTION

△ OBSOLETE PARTS.



<del>7</del>	<del>PRATEADO</del>	<del>LATÃO</del>	<del>△</del>	<del>7</del>
<del>6</del>	<del>PRÉ ESTANHADO</del>	<del>BRONZE FOSFOROSO</del>	<del>△</del>	<del>6</del>
<del>5</del>	<del>PRÉ ESTANHADO</del>	<del>LATÃO</del>		<del>5</del>
880679 -3	/	BRONZE FOSFOROSO		880634 -3
<del>INATIVO</del> -2	<del>ESTANHADO</del>		<del>△</del>	<del>INATIVO</del> -2
880679 -1	/	LATÃO		880634 -1
LOOSE PIECE △	FINISH	MATERIAL	PART NUMBER	

<b>CUSTOMER DWG</b> for REFERENCE ONLY		THIS DRAWING IS UNPUBLISHED RELEASED FOR PUBLICATION 19		
		© COPYRIGHT 19 BY AMP DO BRASIL LTDA S.P. ALL INTERNATIONAL RIGHTS RESERVED AMP PRODUCTS MAY BE COVERED BY U.S. AND FOREIGN PATENTS AND/OR PATENTS PENDING.		
		TOLERANCES UNLESS OTHERWISE STATED DEC. ± 0,3 ANGLES ± 1°	INS. DIA. RANGE 2,0 - 3,3 mm	WIRE RANGE 2 0,5 - 1,0 mm
		DR. N.C. LAPRESA 05 - JUL - 93		
F2 REV. BY ECO 18.009065		CHK. J.K. 20-JUL-93		
F1 REVISED PER ECO-09-026444		DESCRIPTION .110 SERIES RECEPTACLE FASTIN - FASTON		
F REVISED BY 130/00 NCL 13/F01/02		DE. H.R. 22 JUL 93		
E DIM. 2,4 ERA 2,6		ISS. REVISION RECORD ECN DR/CHK DATE APP.		
D REDRAWN WITH CHANGE 200/03 NCL 20-JUL-93		A3 DWG NO C 880634 SHEET 1 OF 1		