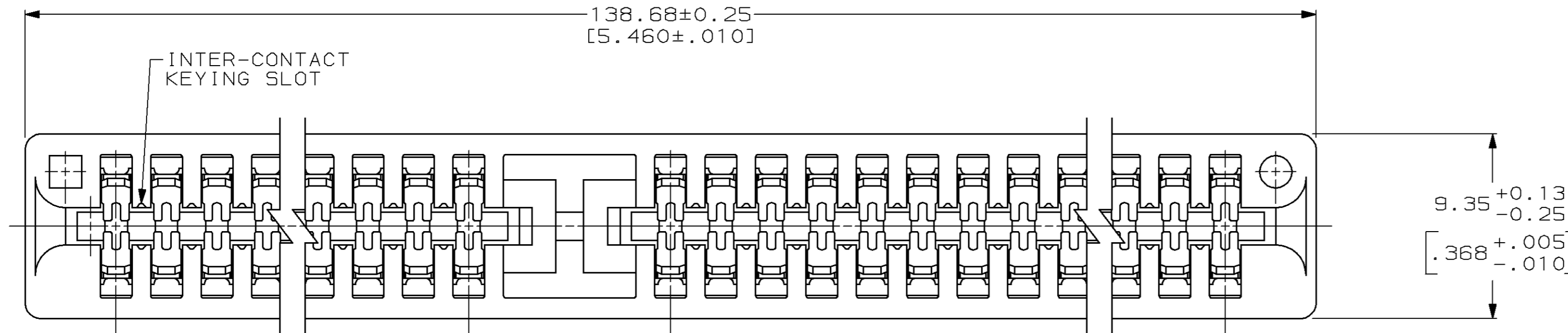
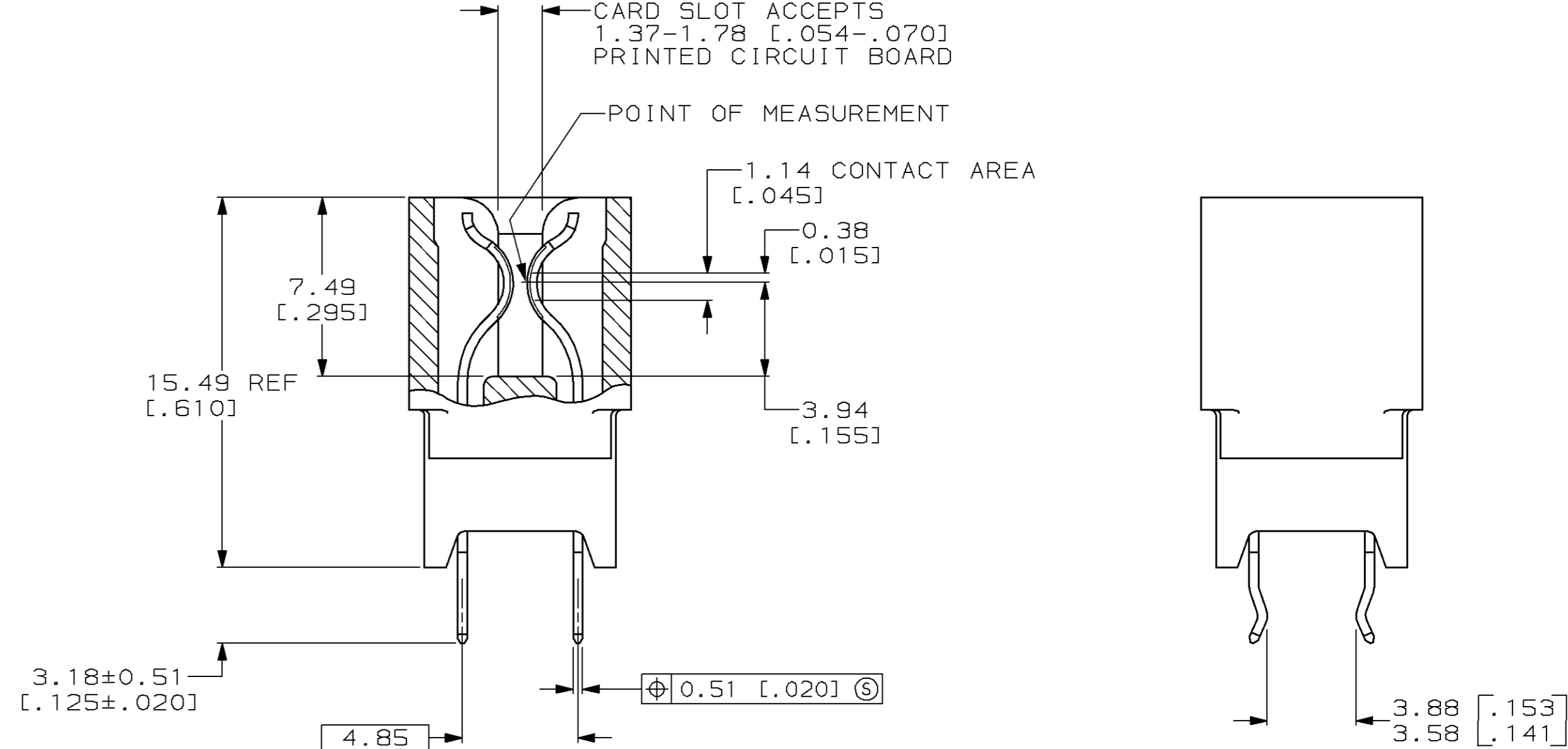
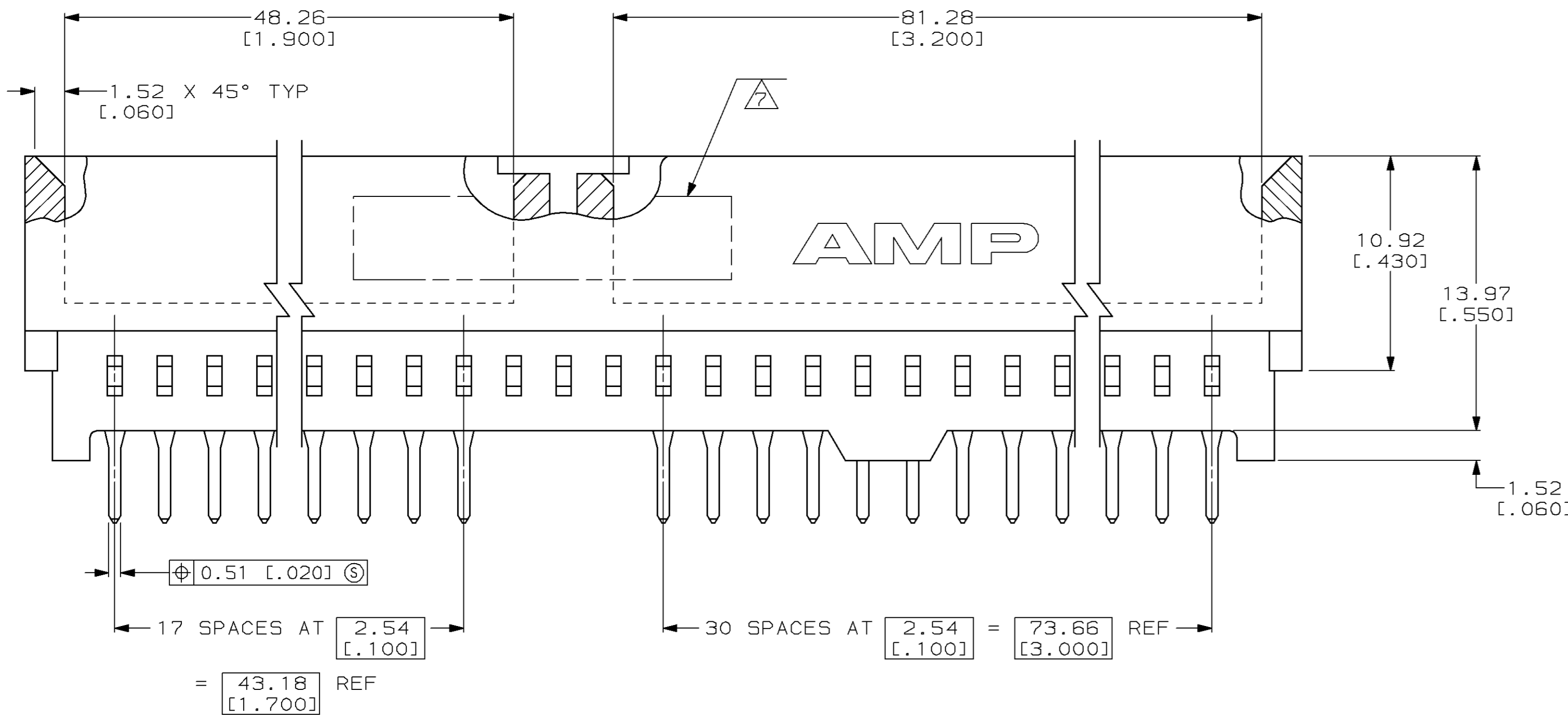


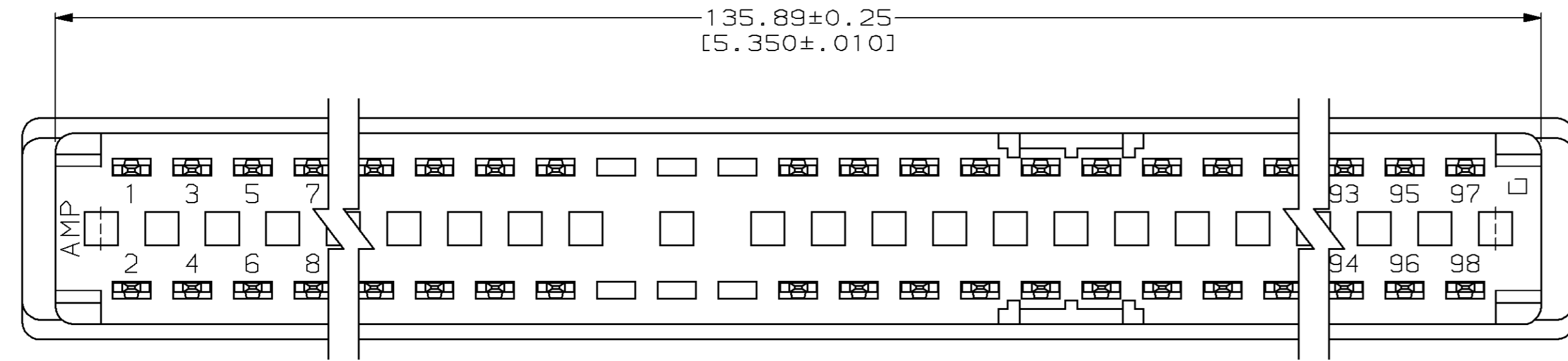
LOC	DIST	P	F	ZONE	LTR	REVISIONS			
						DESCRIPTION	DATE	APPD	
AD	14					O	DWN PER 91-5256-020	1-92	JSD
						A	REVISED PER 0010-0365-95	6/27/95	RB JD
						B	REVISED PER 0010-0901-95	9/21/95	RB JD
						C	REVISED PER 0010-1475-95	11/29/95	RB DG
						D	REVISED PER 0430-0345-97	9/23/97	RB MP
						E	REVISED PER 0430-0323-97	9/23/97	RB MP



- △ HOUSING MATERIAL: GLASS FILLED POLYESTER, IR REFLOW COMPATIBLE, COLOR: GRAY.
- △ CONTACT: PHOSPHOR BRONZE.
- △ NICKEL PLATE: 0.00127 [0.00050] MIN - ALL OVER.
- △ TIN-LEAD PLATE: 0.00254 [0.00100] MIN - SOLDER POSTS.
- △ GOLD PLATE: 0.00076 [0.00030] MIN - CONTACT AREA.
- △ NICKEL PLATE PER MIL-G-45204. GOLD PLATE PER QQ-N-290.
- △ PART NUMBER, DATE CODE AND CSA LOGO ARE MARKED IN APPROXIMATE AREA SHOWN, EITHER SIDE.
- 8. RECOMMENDED PCB FINISHED HOLE DIA: 1.02±0.08 [0.040±.003].
- 9. THE RETENTIVE FEATURE OF THIS CONNECTOR IS DESIGNED FOR FULL SEATING IN .062±.008 THICK CIRCUIT BOARDS. FOR APPLICATIONS IN BOARDS OF OTHER THICKNESSES CONTACT AMP INCORPORATED.



BOARD RETENTION FEATURE



OBsolete	TUBE	NONE	49	536128-3
OBsolete	TUBE	3-6, 41, 42, 51, 52, 93-96	49	536128-2
	TRAY	NONE	49	536128-1
	PACKAGE	BOARD RETENTION LOCATION	NO OF POSN	PART NUMBER

DO NOT SCALE PRINT. UNLESS SPECIFIED DIMENSIONS IN mm [INCHES] TOLERANCES ON: 1 2 PLC DEC ± 0.13 [0.005] 3 PLC DEC ± - ANGLES ± -	DR 10/29/91 R. SHIREY/UTA CHK 1-30-92 J DIORAZIO APPD 1-30-92 J DIORAZIO M THUMMA PRODUCT SPEC 108-9039	AMP AMP Incorporated Harrisburg, PA 17105-3608 NAME CONNECTOR ASSEMBLY, STANDARD EDGE II, 2.54 [0.100] ϕ , 18/31 POSITION HI-TEMP		
FINISH △△ △△△△	APPLICATION SPEC -	SIZE D	CAGE CODE 00779	DRAWING NO 536128
WEIGHT	-	SCALE 5:1	SHEET 1 OF 1	

