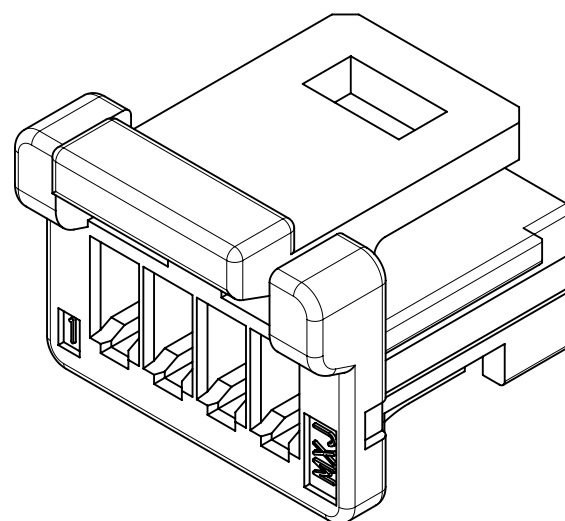
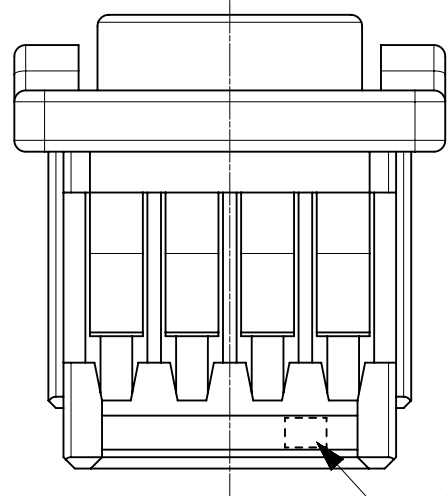
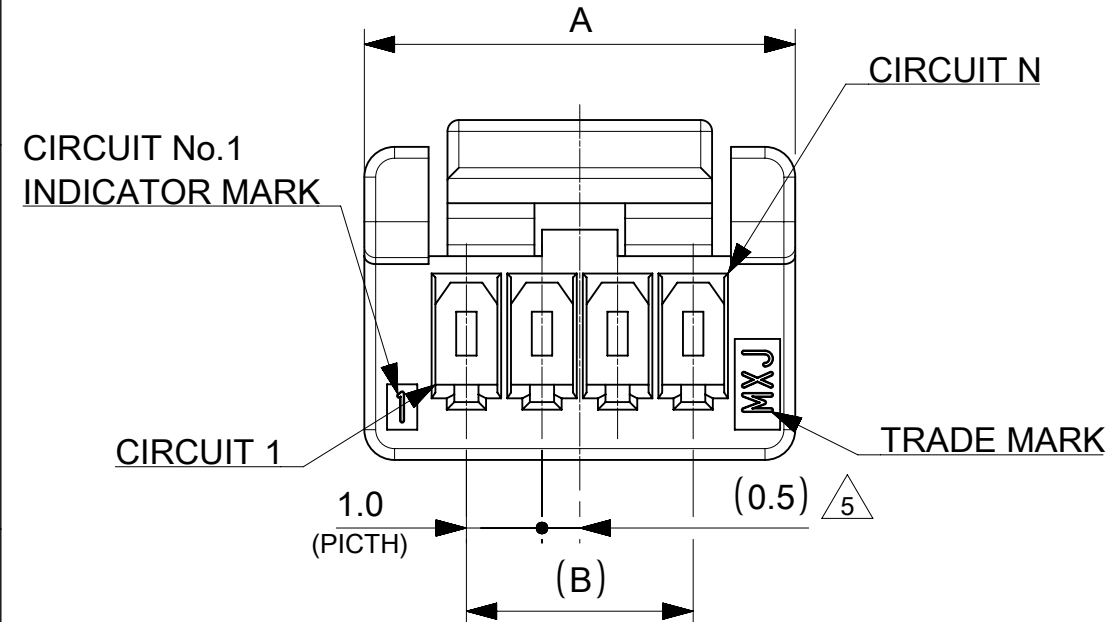
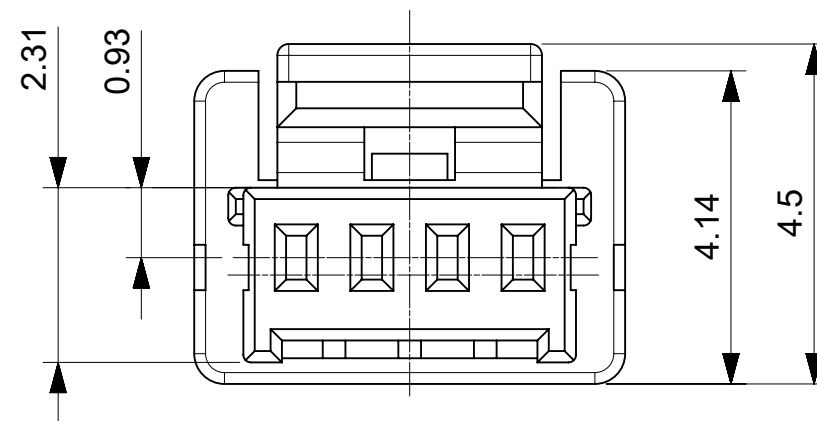
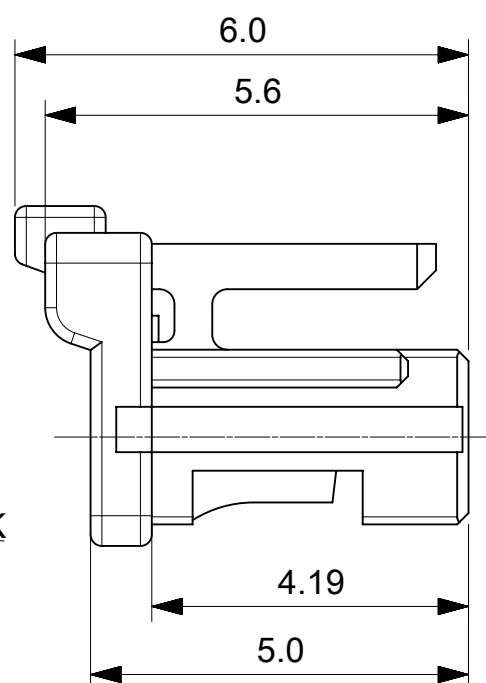
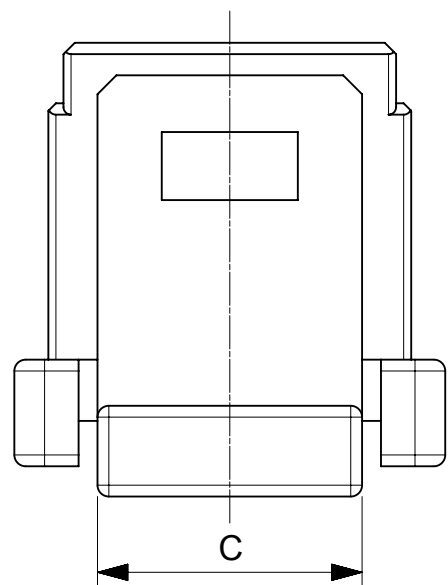


NOTES

- △1 材料 : TABLE 1 参照
MATERIAL : SEE TABLE 1
- △2 適応嵌合相手はSHEET 2を御参照下さい。
PLEASE REFER TO SHEET 2 FOR MATE PARTNER.
- 3. アプリケーション仕様書(コネクタ取扱い説明書) : 5013300000-AS A00(JAPANESE)/-A01(ENGLISH)
APPLICATION SPECIFICATION(CONNECTOR MANUAL):
- 4. 梱包形態 : SPK-501939-001
PACKAGING INFORMATION:
- △5 偶数極に適応
APPLY FOR EVEN CIRCUIT
- △6 発注番号 : SHEET 2 参照
ORDER No. : PLEASE REFER TO SHEET 2 FOR PRODUCT LIST.

501939 ** **

極数 CIRCUIT SIZE	ハウジングカラー HOUSING COLOR
	00:NATURAL(WHITE)



3.5	4.0	6.7	5
	3.0	5.7	4
2.5	2.0	4.7	3
C	B	A	極数 CIRCUIT SIZE

△1 TABLE 1

部品 PART	材質 MATERIAL
ハウジング HOUSING	ポリアミド(PA), UL94V-0, 色 : SEE SHEET 2 POLYAMIDE(PA), UL94V-0, COLOR : SEE SHEET 2
DOCUMENT STATUS	P1 RELEASE DATE 2019/04/03 09:48:44

THIS DRAWING CONTAINS INFORMATION THAT IS PROPRIETARY TO MOLEX ELECTRONIC TECHNOLOGIES, LLC AND SHOULD NOT BE USED WITHOUT WRITTEN PERMISSION		CURRENT REV DESC:		molex	
DIMENSION UNITS	SCALE	EC NO: 614802			
mm	NTS	DRWN: AISHIKAWA 2019/03/15		PICO-CLASP 1.0 W/B SINGLE ROW REC HSG OUTER LOCK	
GENERAL TOLERANCES (UNLESS SPECIFIED)		CHK'D: AIDA 2019/04/03			
ANGULAR TOL	± 3.0°	APPR: KOMURAKAMI 2019/04/03		PRODUCT CUSTOMER DRAWING	
4 PLACES	± 0.2	INITIAL REVISION:		DOCUMENT NUMBER	
3 PLACES	± 0.2	DRWN: AISHIKAWA 2019/03/15		5019390000-SD	
2 PLACES	± 0.2	APPR: KOMURAKAMI 2019/04/03		DOC TYPE DOC PART REVISION	
1 PLACE	± 0.2	DRAFT WHERE APPLICABLE MUST REMAIN WITHIN DIMENSIONS		PSD 000 A	
0 PLACES	± 0.2	THIRD ANGLE PROJECTION	DRAWING	SERIES	MATERIAL NUMBER
		⊕	A3-SIZE	501939	SEE SHEET 2
				CUSTOMER	SHEET NUMBER
					1 OF 2

△ 2 適応製品
APPLICABLE PRODUCTS

適応嵌合相手 APPLICABLE PARTNER	実装タイプ MOUNT TYPE	SMT	
	めっき仕様 PLATING	TIN PLATING	
	嵌合方向 ROW	VERTICAL	RIGHT ANGLE
	シリーズ番号 SERIES No.	501940 **07	501953 **07

適応嵌合相手 APPLICABLE PARTNER	実装タイプ MOUNT TYPE	SMT					
	めっき仕様 PLATING	GOLD PLATING					
	めっき厚 PLATING THICKNESS [micro-meter MIN.]	0.1		0.38		0.76	
	嵌合方向 ROW	VERTICAL	RIGHT ANGLE	VERTICAL	RIGHT ANGLE	VERTICAL	RIGHT ANGLE
	シリーズ番号 SERIES No.	501940 **03	501953 **05	203560 **03	203562 **05	203561 **03	203563 **05

△ 6 製品一覧 PRODUCT LIST

HOUSING COLOR	
NATURAL(WHITE)	
501939 0500	5
501939 0400	4
501939 0300	3
発注番号 ORDER No.	
梱包形態 : エンボスリール PACKAGE:EMBOSSED REEL	極数 CIRCUIT SIZE

THIS DRAWING CONTAINS INFORMATION THAT IS PROPRIETARY TO MOLEX ELECTRONIC TECHNOLOGIES, LLC AND SHOULD NOT BE USED WITHOUT WRITTEN PERMISSION									
DIMENSION UNITS	SCALE	CURRENT REV DESC:				molex			
mm	NTS								
GENERAL TOLERANCES (UNLESS SPECIFIED)		EC NO: 614802				PICO-CLASP 1.0 W/B SINGLE ROW REC HSG OUTER LOCK			
ANGULAR TOL	± 3.0 °	DRWN: AISHIKAWA 2019/03/15				PRODUCT CUSTOMER DRAWING			
4 PLACES	± 0.2	CHK'D: AIDA 2019/04/03				DOCUMENT NUMBER			
3 PLACES	± 0.2	APPR: KOMURAKAMI 2019/04/03				5019390000-SD			
2 PLACES	± 0.2	INITIAL REVISION:				DOC TYPE			
1 PLACE	± 0.2	DRWN: AISHIKAWA 2019/03/15				PSD			
0 PLACES	± 0.2	APPR: KOMURAKAMI 2019/04/03				DOC PART			
DRAFT WHERE APPLICABLE MUST REMAIN WITHIN DIMENSIONS		THIRD ANGLE PROJECTION	DRAWING	SERIES	MATERIAL NUMBER	CUSTOMER	REVISION		
			A3-SIZE	501939	SEE SHEET 2		000	A	2 OF 2