

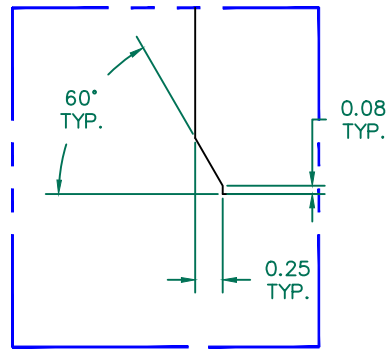
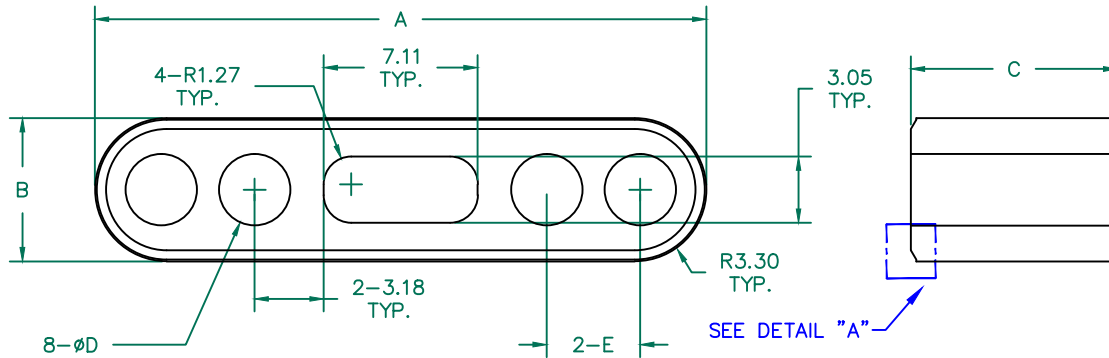
SCALE DRAWING 1:1



28N1110-000

ELECTRICAL TESTING

| TEST | NET Z | NET Z |
|-----------|--------|---------|
| # TURNS | 1 LOOP | 1 LOOP |
| AWG | 24 | 24 |
| FREQUENCY | 25 MHz | 100 MHz |
| NOMINAL | 54 Ω | 83 Ω |
| MINIMUM | - | 66 Ω |



DETAIL "A"
SCALE: 15 : 1

NOTES:

1. Cosmetic specification refer to WI-QA-015.
2. TEST Z WITH ONE TURN PASS THROUGH 1ST HOLE.
3. PARTS TO BE TUMBLED FOR REMOVE SHARP EDGES.

FERRITE CORE DIMENSIONS (SPEC):

| | | |
|---|---------------|---------------|
| A | 28.19 [1.110] | + 0.45 [.018] |
| B | 6.60 [.260] | + 0.30 [.012] |
| C | 9.53 [.375] | + 0.30 [.012] |
| D | 3.30 [.130] | + 0.20 [.008] |
| E | 4.32 [.170] | Ref. |

| DIMENSIONS ARE IN mm [INCHES]. | | | | This print is the property of Laird Tech. and is loaned in confidence subject to return upon request and with the understanding that no copies shall be made without the written consent of Laird Tech. All rights to design or invention are reserved. | | Laird | |
|--------------------------------|-------------|------|-----|---|------------|--------------|--|
| PROJECT/PART NUMBER: | | | | REV | PART TYPE: | DRAWN BY: | |
| 28N1110-000 | | | | A | BALUN | Jcai | |
| DATE: 04/18/2019 | | | | SCALE: | 3:1 | MATERIAL: | |
| A NEW RELEASE 04/18/2019 Jcai | | | | TOOL # N1110 | | FERRITE | |
| REV | DESCRIPTION | DATE | INT | 28N1110-000-A | | | |