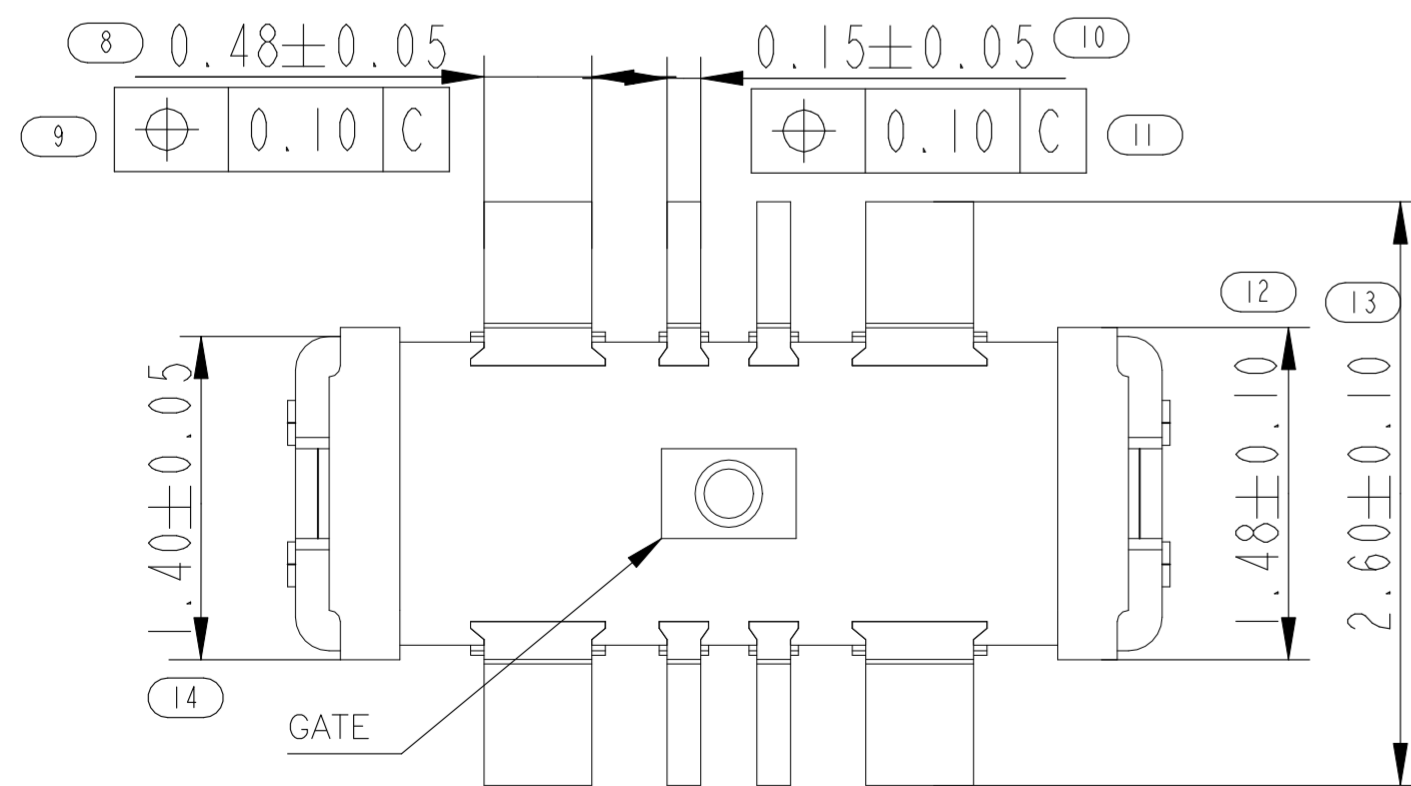
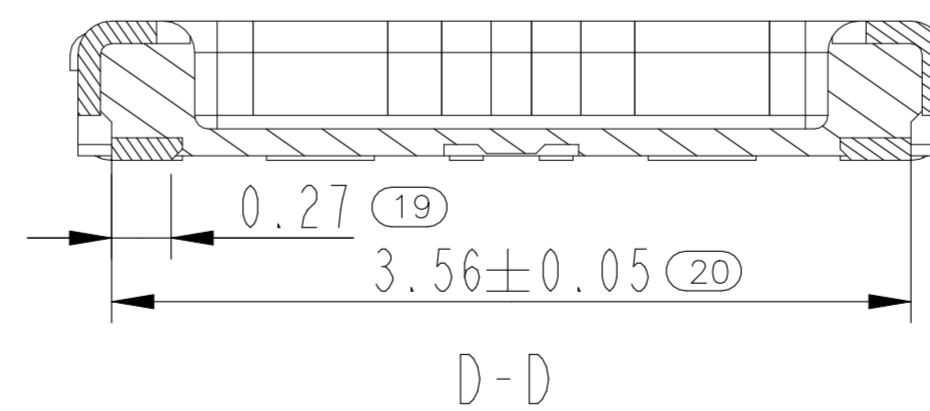
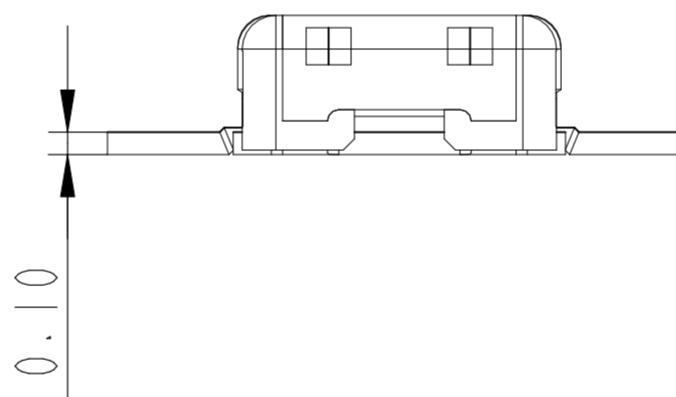
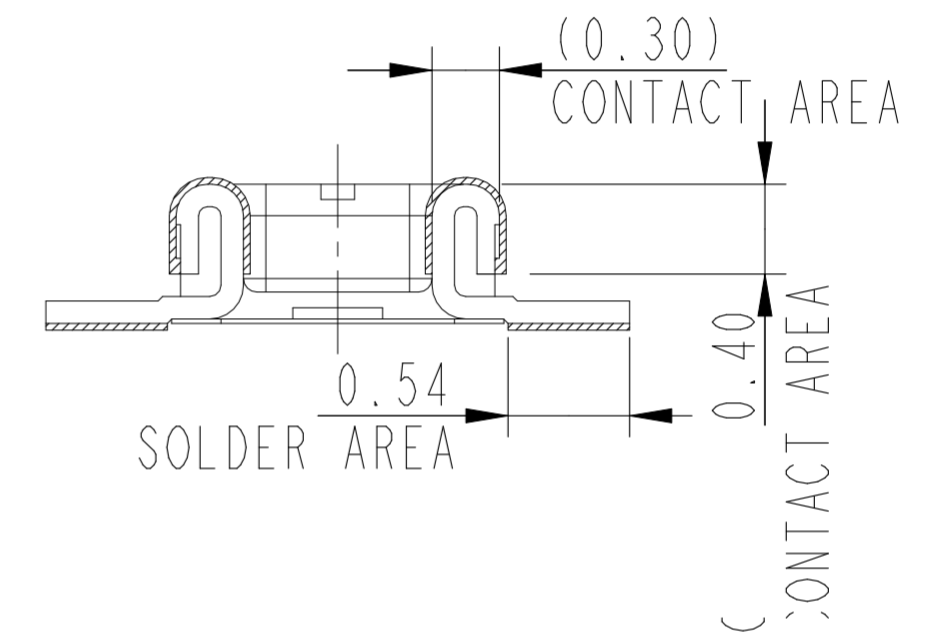
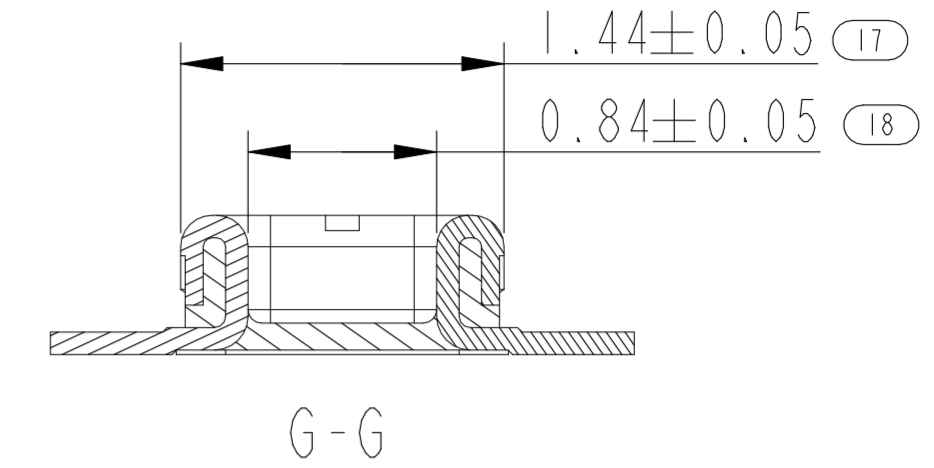
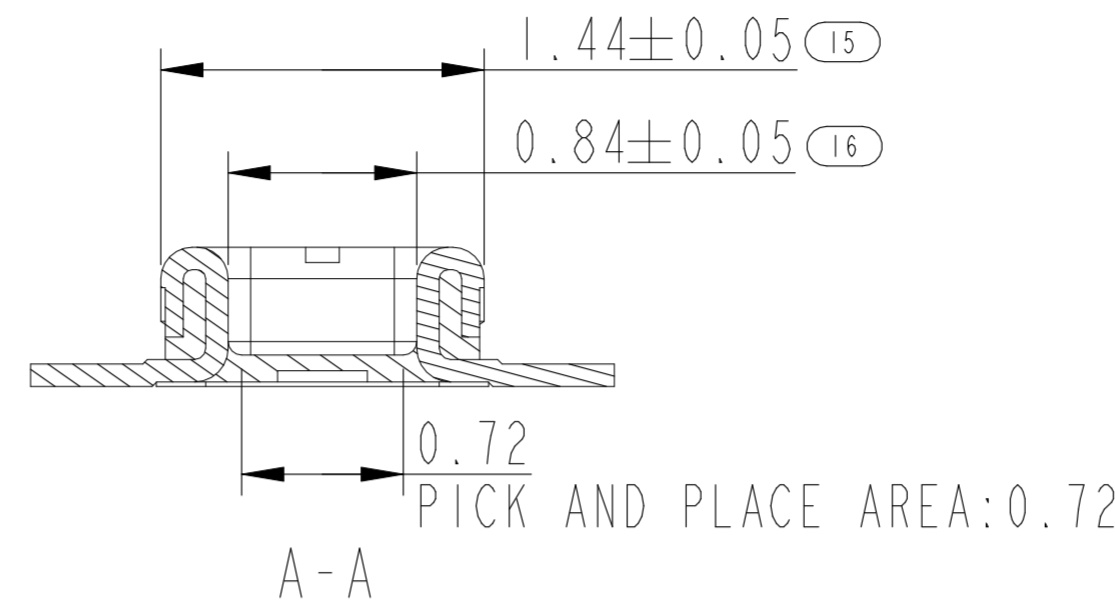
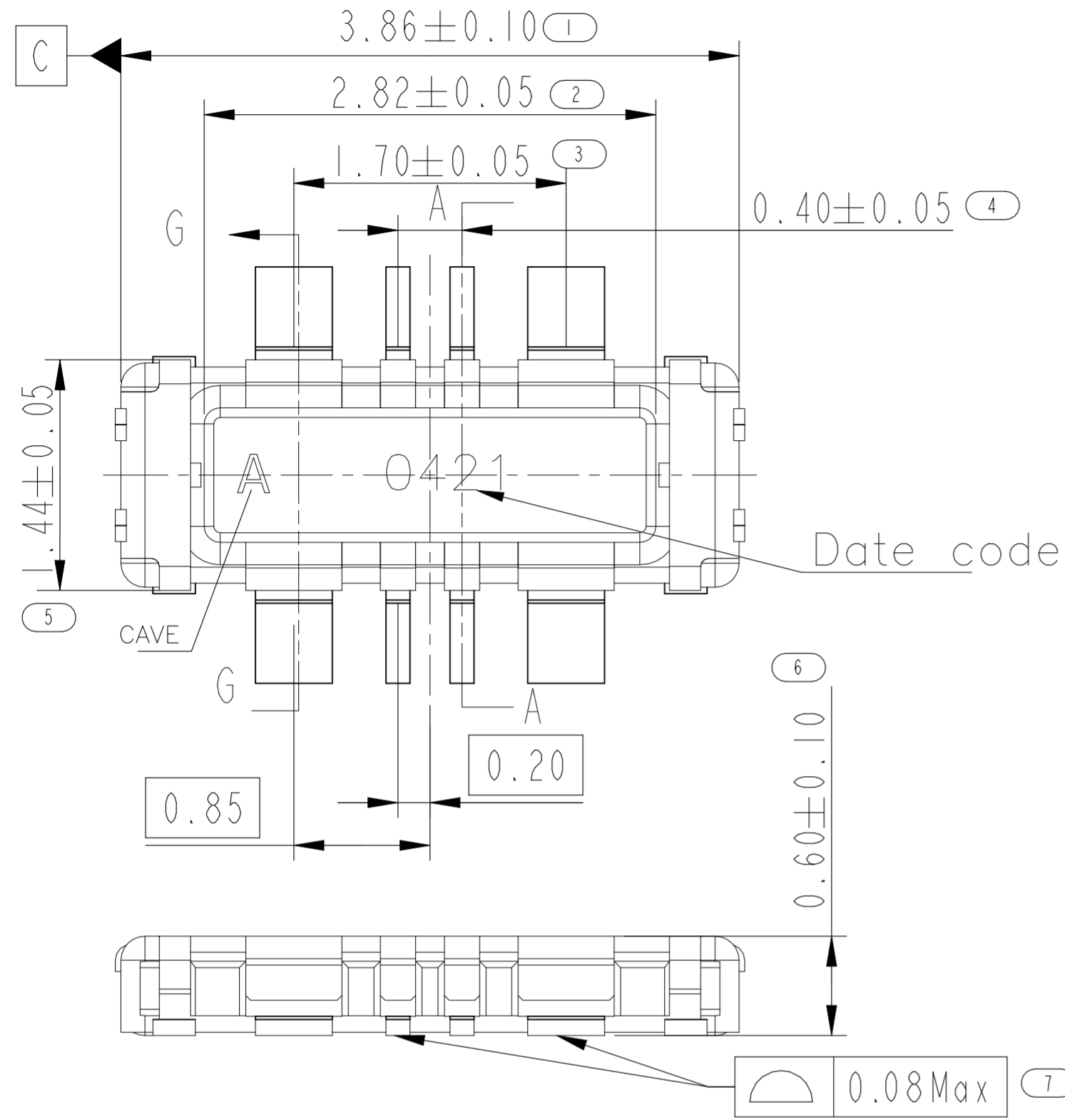


REVISIONS					
P	LTR	DESCRIPTION	DATE	DWN	APVD
A1		REVISED AS PER ECR-23-169563	17MAR2023	SSM	WH



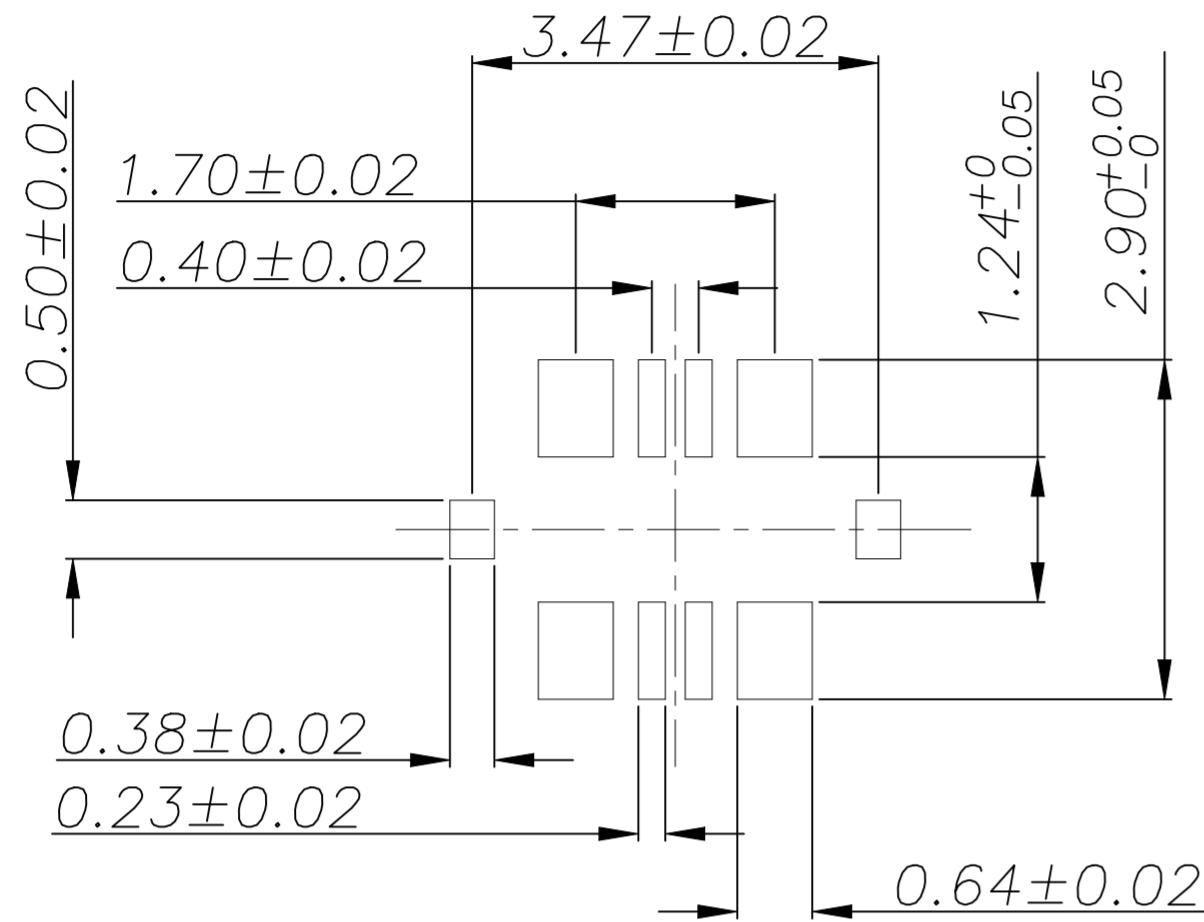
NOTE:

- MATERIAL SPECIFICATION:
 - 1-1.HOUSING :LCP, UL94V-0, BLACK.
 - 1-2.CONTACTS: COPPER ALLOY.
 - 1-3.SHELL: COPPER ALLOY.
- PLATING SPECIFICATION:
 - 2-1.CONTACTS:
 - Ni 80~150u". UNDER PLATED OVER ALL.
 - Au4u"MIN PLATED ON THE FUNCTIONAL AREA OF CONTACT.
 - Au3~8u" PLATED ON SOLDER AREA.
 - 2-2.SHELL:
 - Ni 80~150u". UNDER PLATED OVER ALL.
 - Au3~8u" PLATED ON SOLDER AREA.

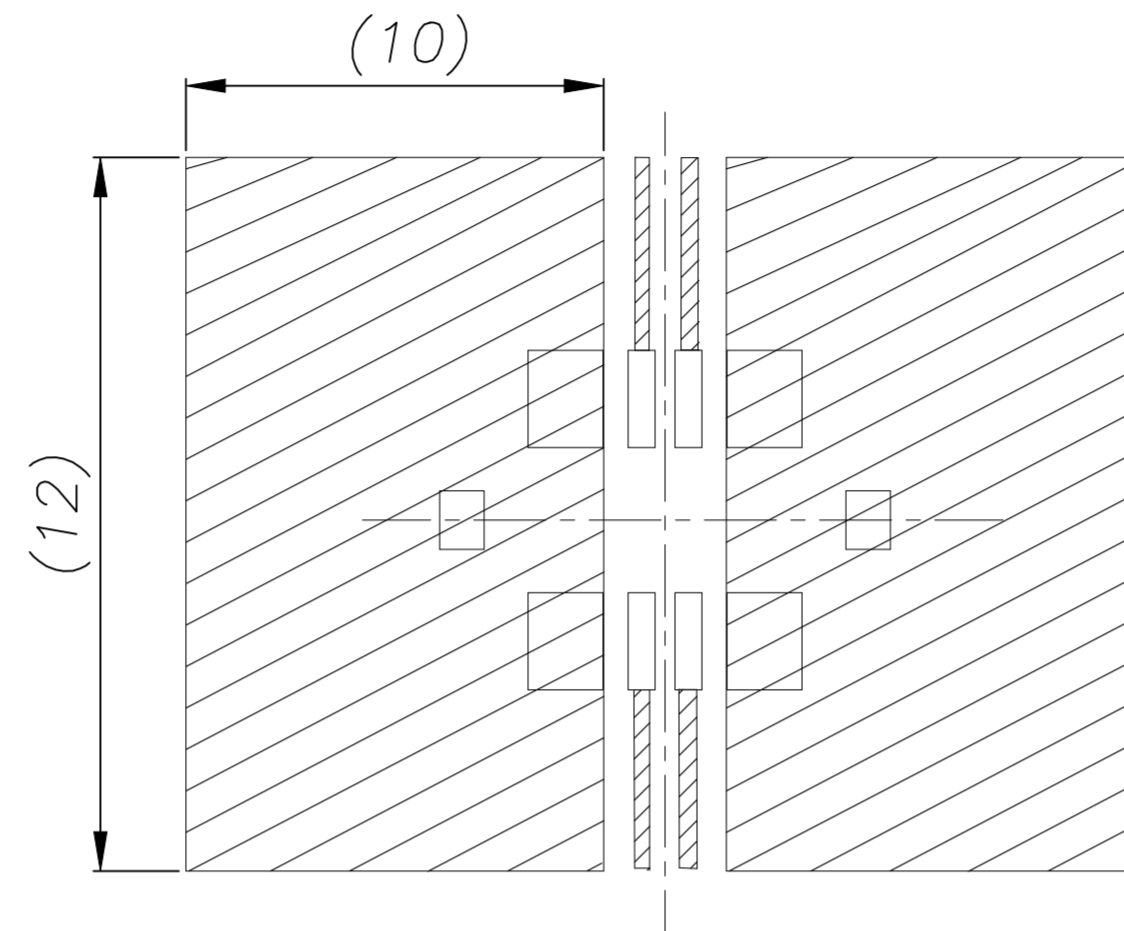
2386587-1

THIS DRAWING IS A CONTROLLED DOCUMENT.		DWN Jone_Ji 05FEB2021	TE Connectivity Ltd.														
DIMENSIONS: mm		CHK Niki_S 05FEB2021															
TOLERANCES UNLESS OTHERWISE SPECIFIED:		APVD Niki_S 05FEB2021	NAME FINE PITCH BTB 8 POS PLUG														
<table border="0"> <tr> <td>0 PLC</td> <td>± 0.4</td> </tr> <tr> <td>1 PLC</td> <td>± 0.25</td> </tr> <tr> <td>2 PLC</td> <td>± 0.15</td> </tr> <tr> <td>3 PLC</td> <td>± 0.1</td> </tr> <tr> <td>4 PLC</td> <td>± -</td> </tr> <tr> <td>ANGLES</td> <td>± 3</td> </tr> </table>		0 PLC	± 0.4	1 PLC	± 0.25	2 PLC	± 0.15	3 PLC	± 0.1	4 PLC	± -	ANGLES	± 3	PRODUCT SPEC -	SIZE A2		
0 PLC	± 0.4																
1 PLC	± 0.25																
2 PLC	± 0.15																
3 PLC	± 0.1																
4 PLC	± -																
ANGLES	± 3																
MATERIAL -		FINISH -	APPLICATION SPEC -	CAGE CODE 00779	DRAWING NO C=2386587												
CUSTOMER DRAWING			WEIGHT -	SCALE 8:1	SHEET 1 of 3												
			RESTRICTED TO -														
			REV A1														

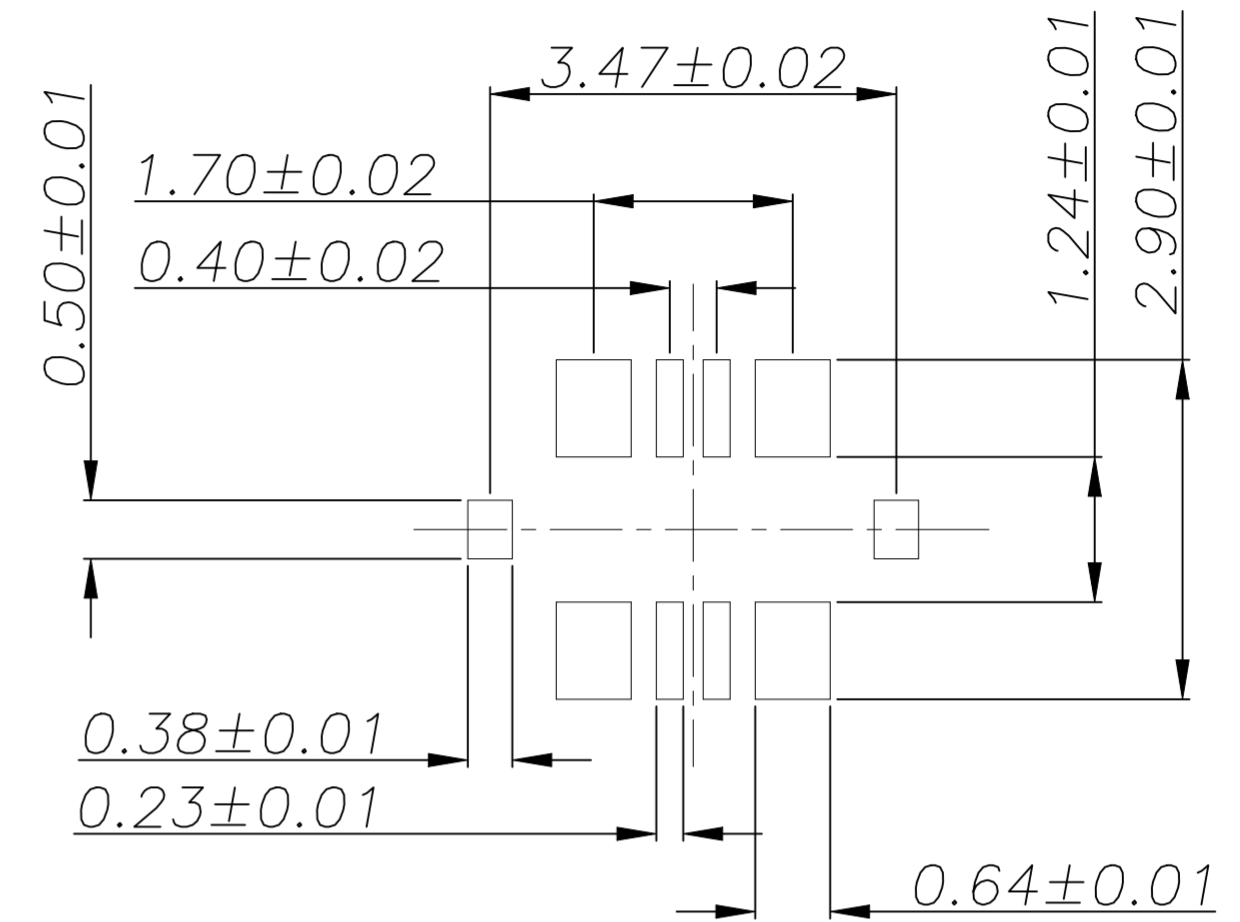
P	LTR	DESCRIPTION	DATE	DWN	APVD
-	-	SEE SHEET 1	-	-	-



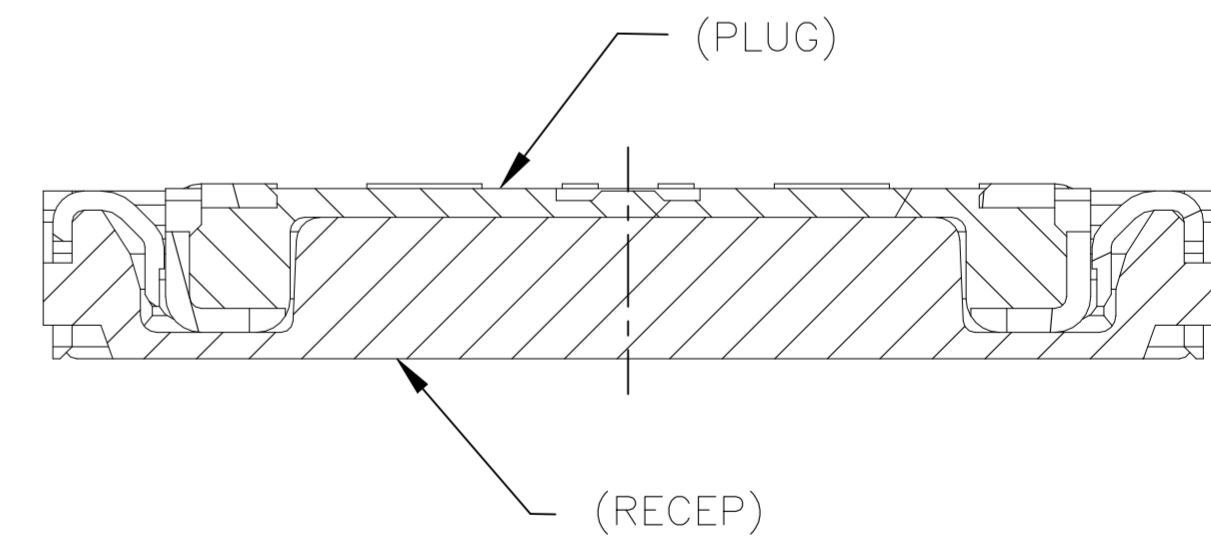
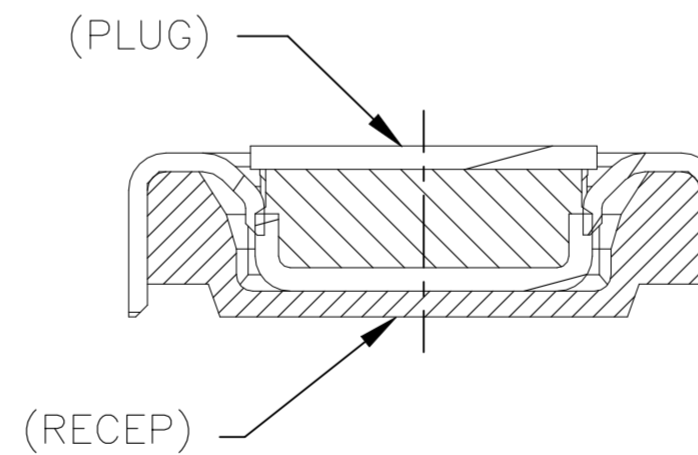
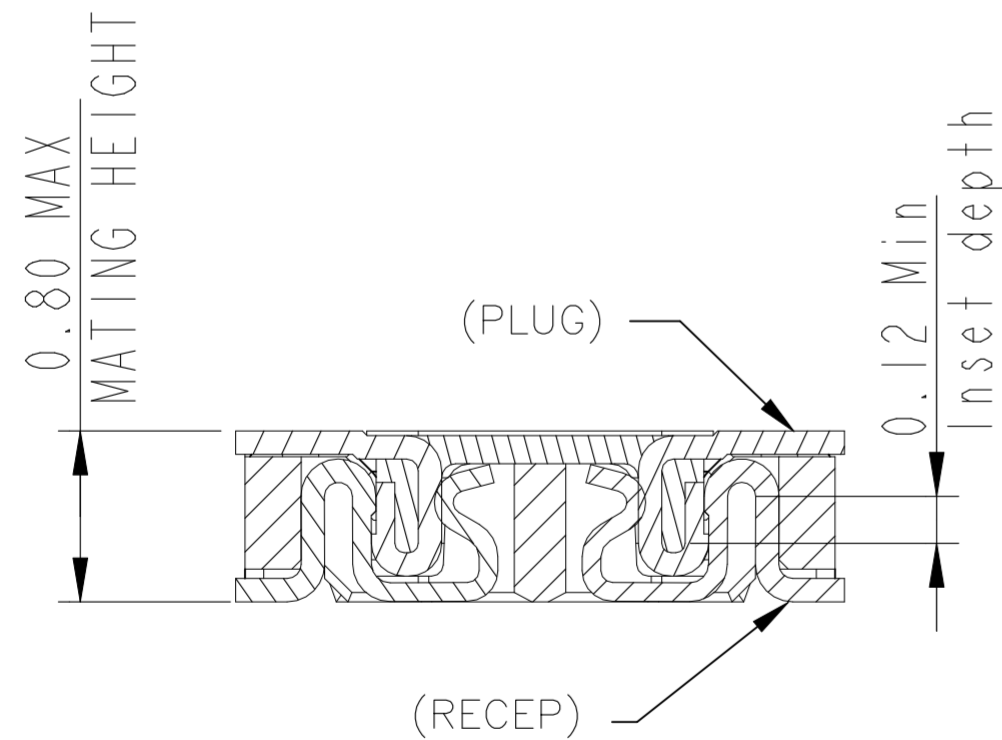
RECOMMEND PCB LAYOUT



RECOMMEND ELECTRICAL CIRCUIT LAYOUT
COPPER FOIL THINCKNESS 1oz
CAN USE MORE THICKNESS SAME
OR BETTER CONDITION LAYOUT

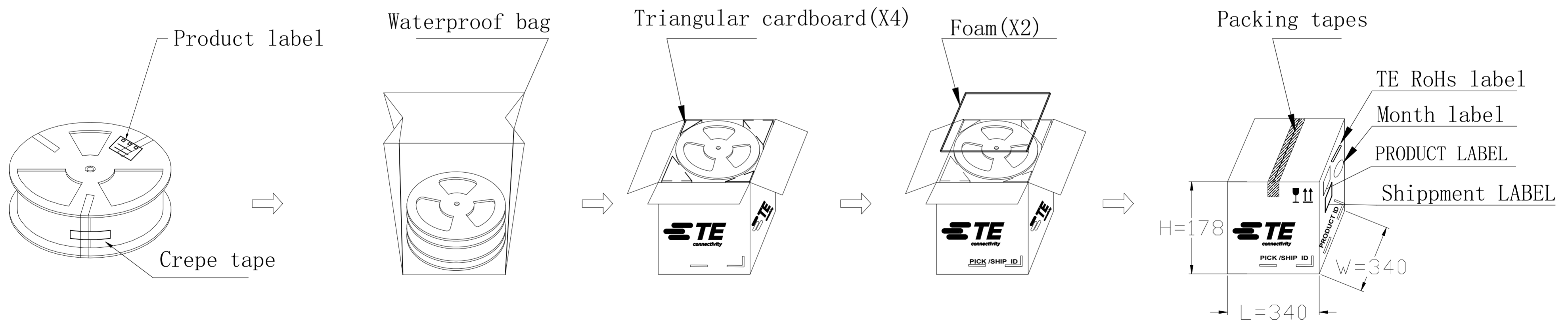
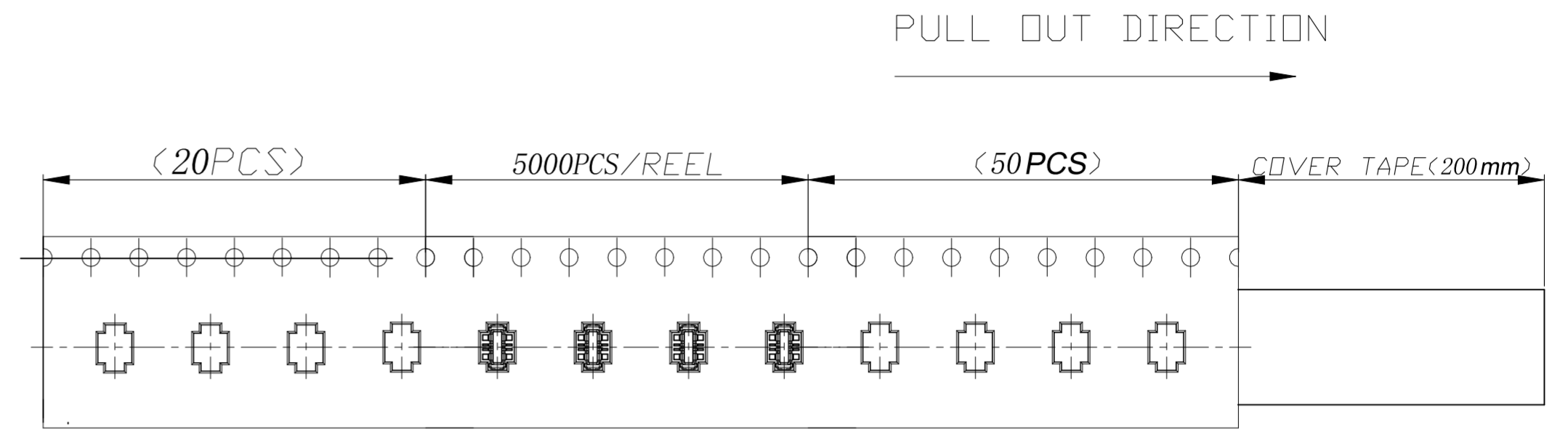
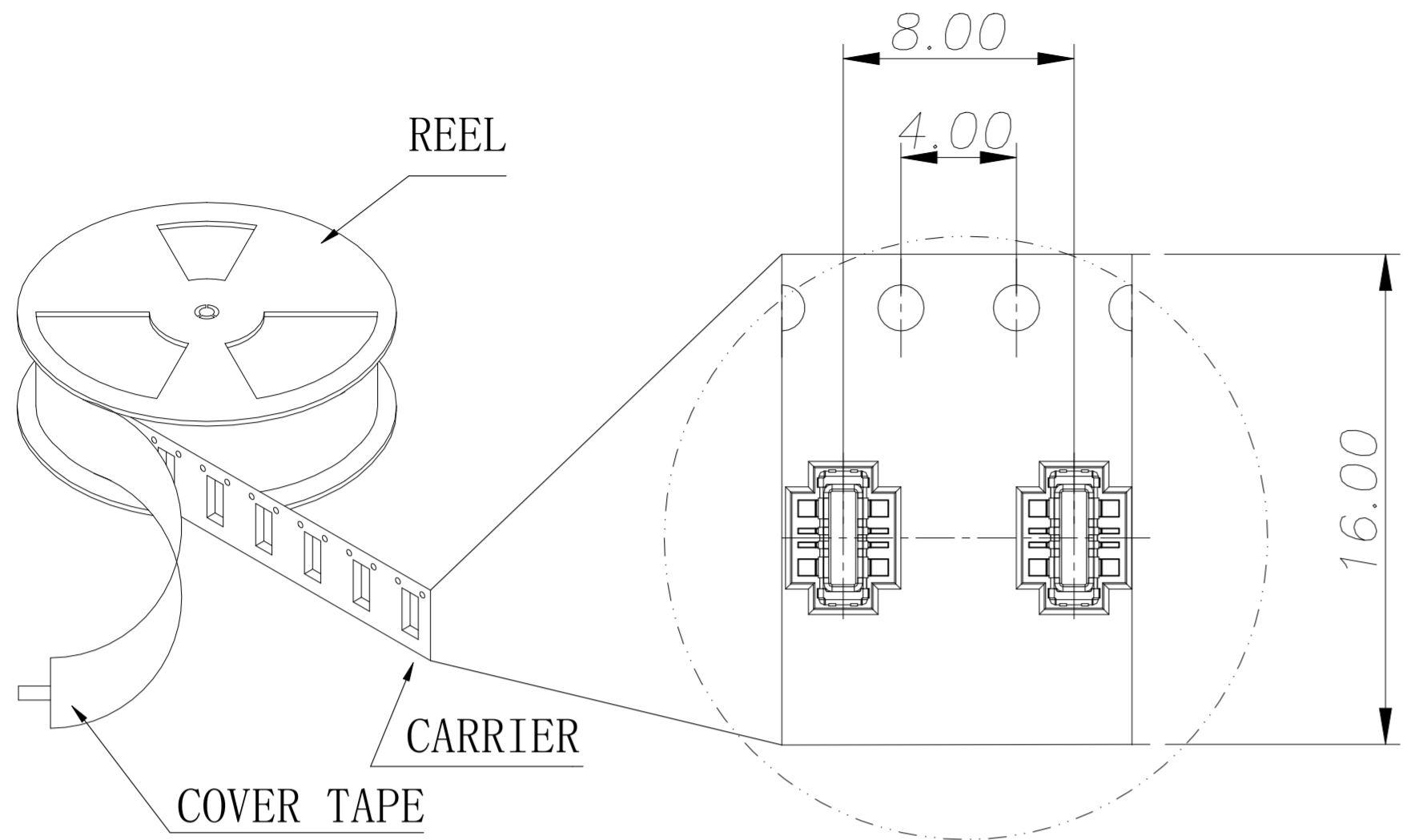


RECOMMEND METAL MASK DIMENSIONS
METAL MASK THICKNESS:80um



THIS DRAWING IS A CONTROLLED DOCUMENT.		DWN Jone Ji 05FEB2021	TE Connectivity Ltd.	
DIMENSIONS: mm		CHK Niki S 05FEB2021		
TOLERANCES UNLESS OTHERWISE SPECIFIED:		APVD Niki S 05FEB2021	NAME FINE PITCH BTB 8 POS PLUG	
0 PLC ± 0.4 1 PLC ± 0.25 2 PLC ± 0.15 3 PLC ± 0.1 4 PLC ± - ANGLES ± 3		PRODUCT SPEC -	SIZE A2	CAGE CODE 00779
MATERIAL -		FINISH -	DRAWING NO C=2386587	RESTRICTED TO -
CUSTOMER DRAWING			SCALE 8:1	SHEET 2 of 3
			REV A1	

REVISIONS					
P	LTR	DESCRIPTION	DATE	DWN	APVD
-	-	SEE SHEET 1	-	-	-



5000	7	35000
PCS/REEL	REEL/BOX	PCS/BOX
(PACKING CAPACITY)		

THIS DRAWING IS A CONTROLLED DOCUMENT.		DWN	Jone_Ji	05FEB2021	STE TE Connectivity Ltd.												
DIMENSIONS: mm		CHK	Niki_S	05FEB2021													
TOLERANCES UNLESS OTHERWISE SPECIFIED:		APVD	Niki_S	05FEB2021													
<table border="0"> <tr><td>0 PLC</td><td>± 0.4</td></tr> <tr><td>1 PLC</td><td>± 0.25</td></tr> <tr><td>2 PLC</td><td>± 0.15</td></tr> <tr><td>3 PLC</td><td>± 0.1</td></tr> <tr><td>4 PLC</td><td>± 0.1</td></tr> <tr><td>ANGLES</td><td>± 3</td></tr> </table>		0 PLC	± 0.4	1 PLC		± 0.25	2 PLC	± 0.15	3 PLC	± 0.1	4 PLC	± 0.1	ANGLES	± 3	PRODUCT SPEC	NAME	
0 PLC	± 0.4																
1 PLC	± 0.25																
2 PLC	± 0.15																
3 PLC	± 0.1																
4 PLC	± 0.1																
ANGLES	± 3																
MATERIAL		APPLICATION SPEC	SIZE		CAGE CODE												
FINISH		WEIGHT	A2		00779												
		CUSTOMER DRAWING	SCALE		8:1												
			SHEET		3 of 3												
			REV		A1												

2386587