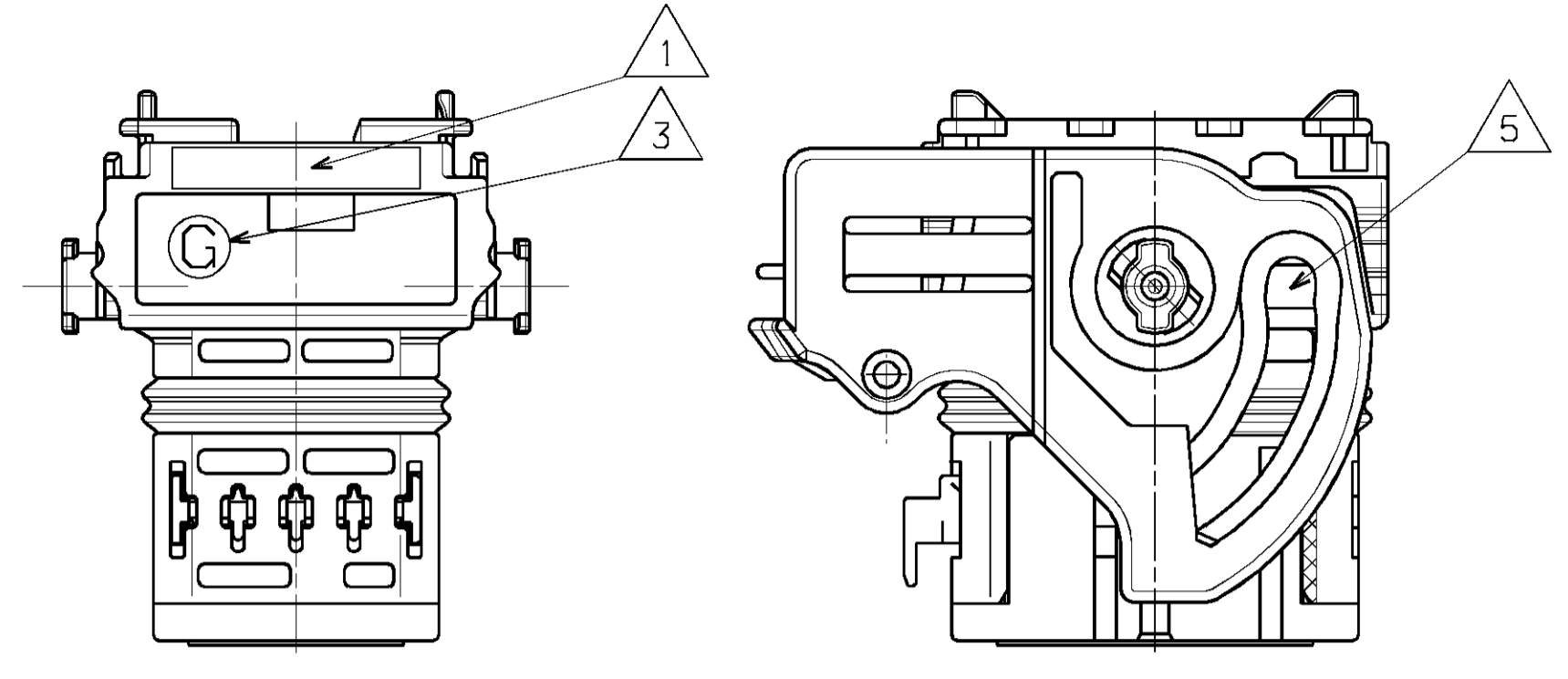
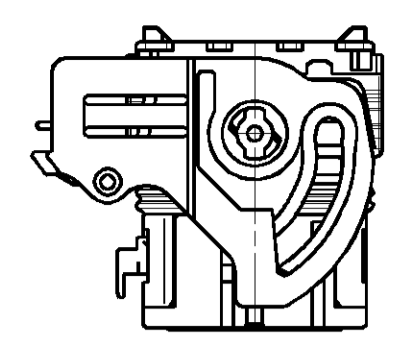


32W FEMALE HOUSING
LEFT WIRE OUTPUT

LOCKING LEVER NOT SHOWN

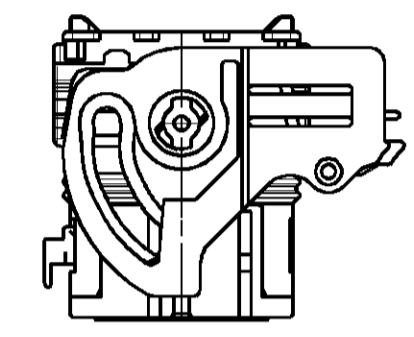


Scale 2:1



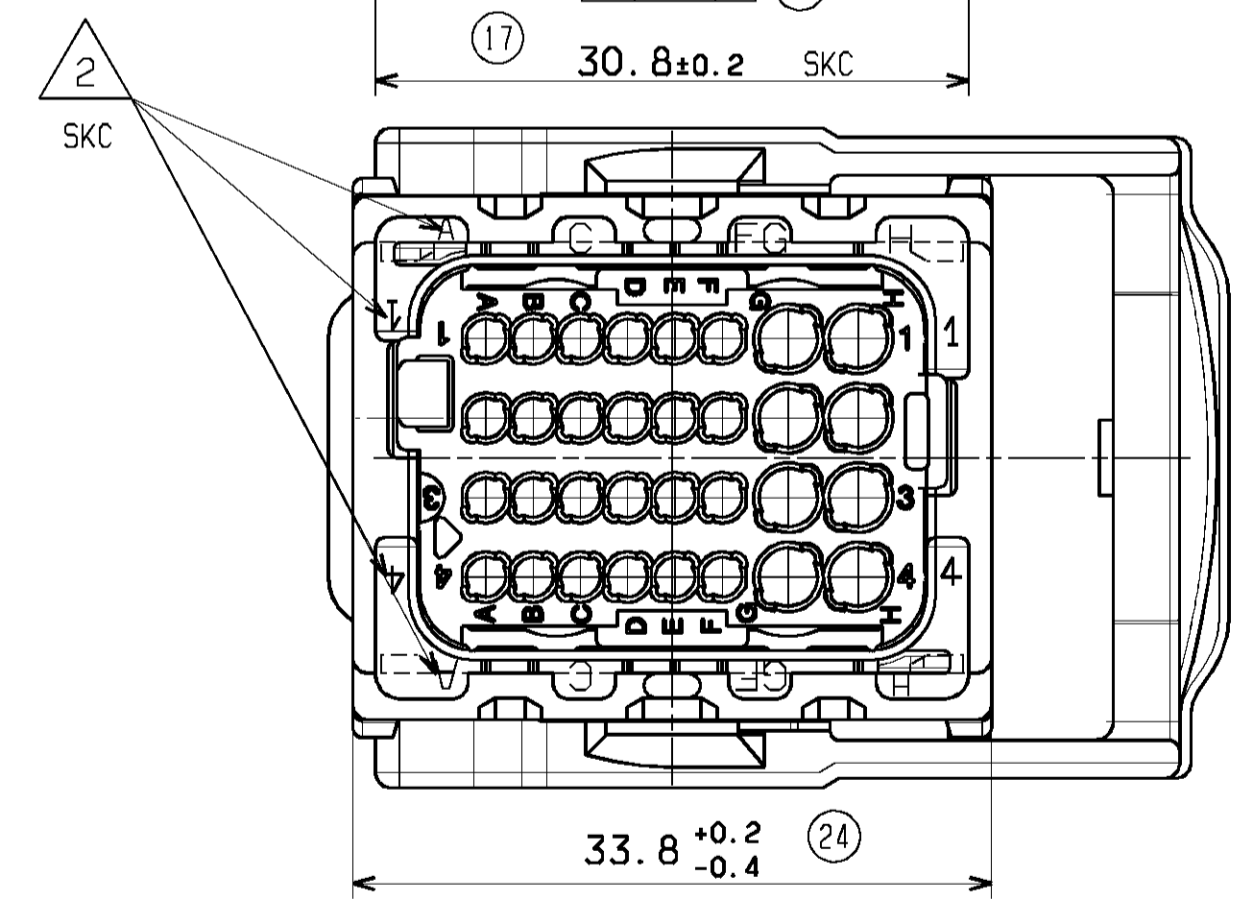
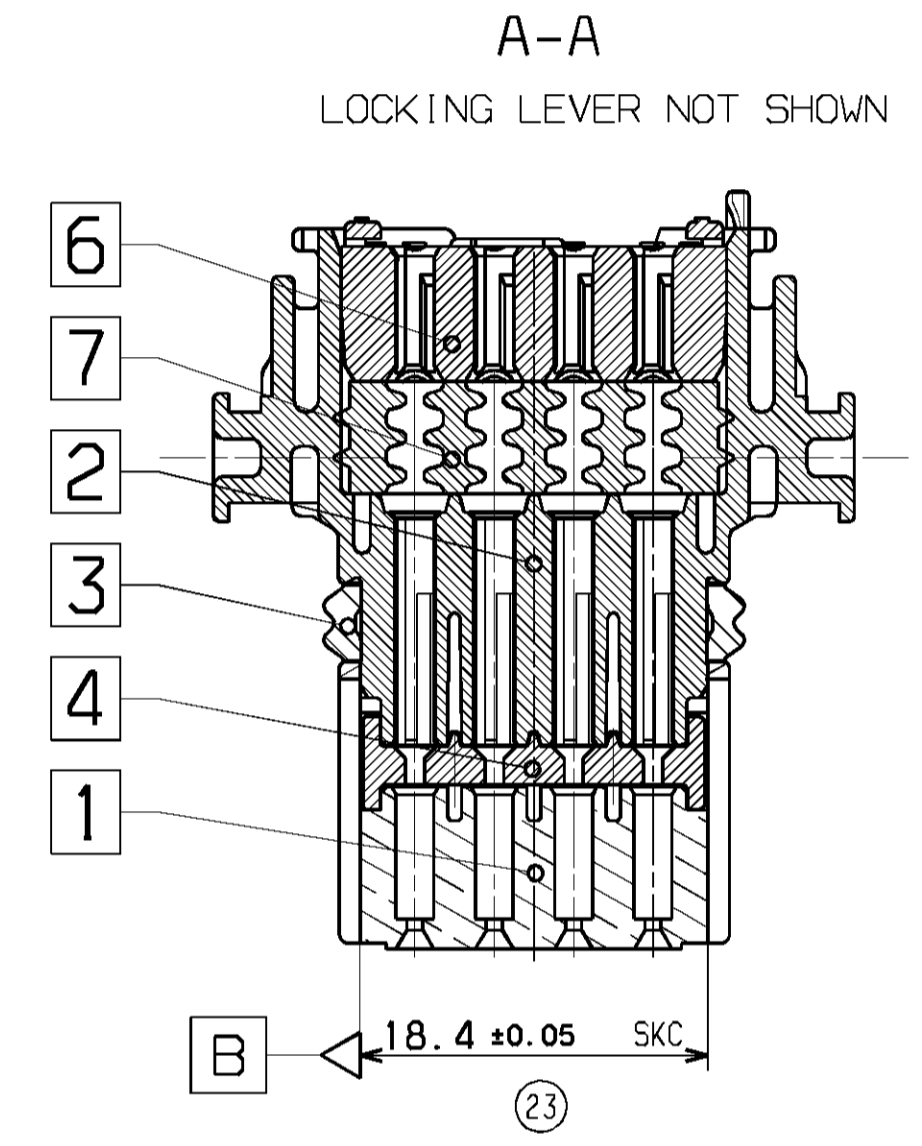
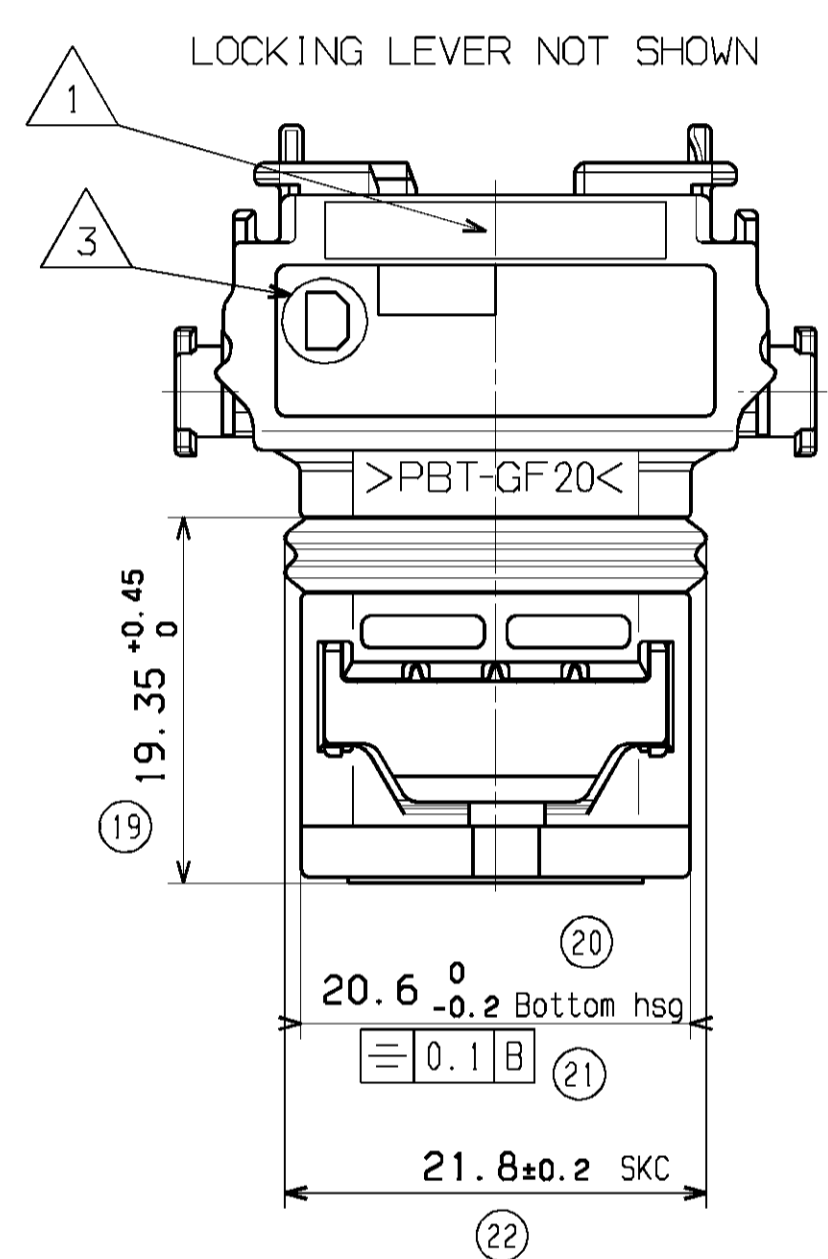
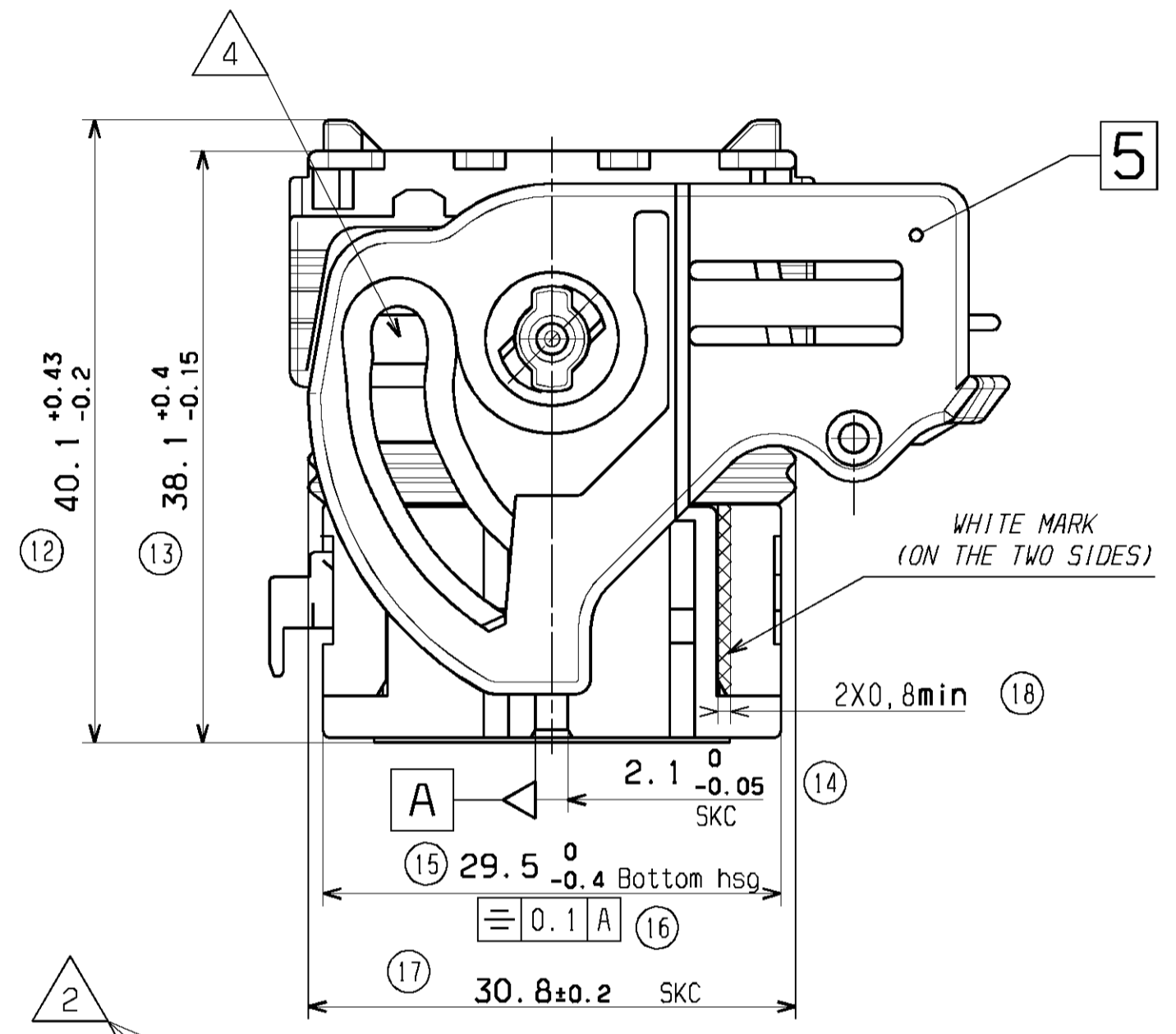
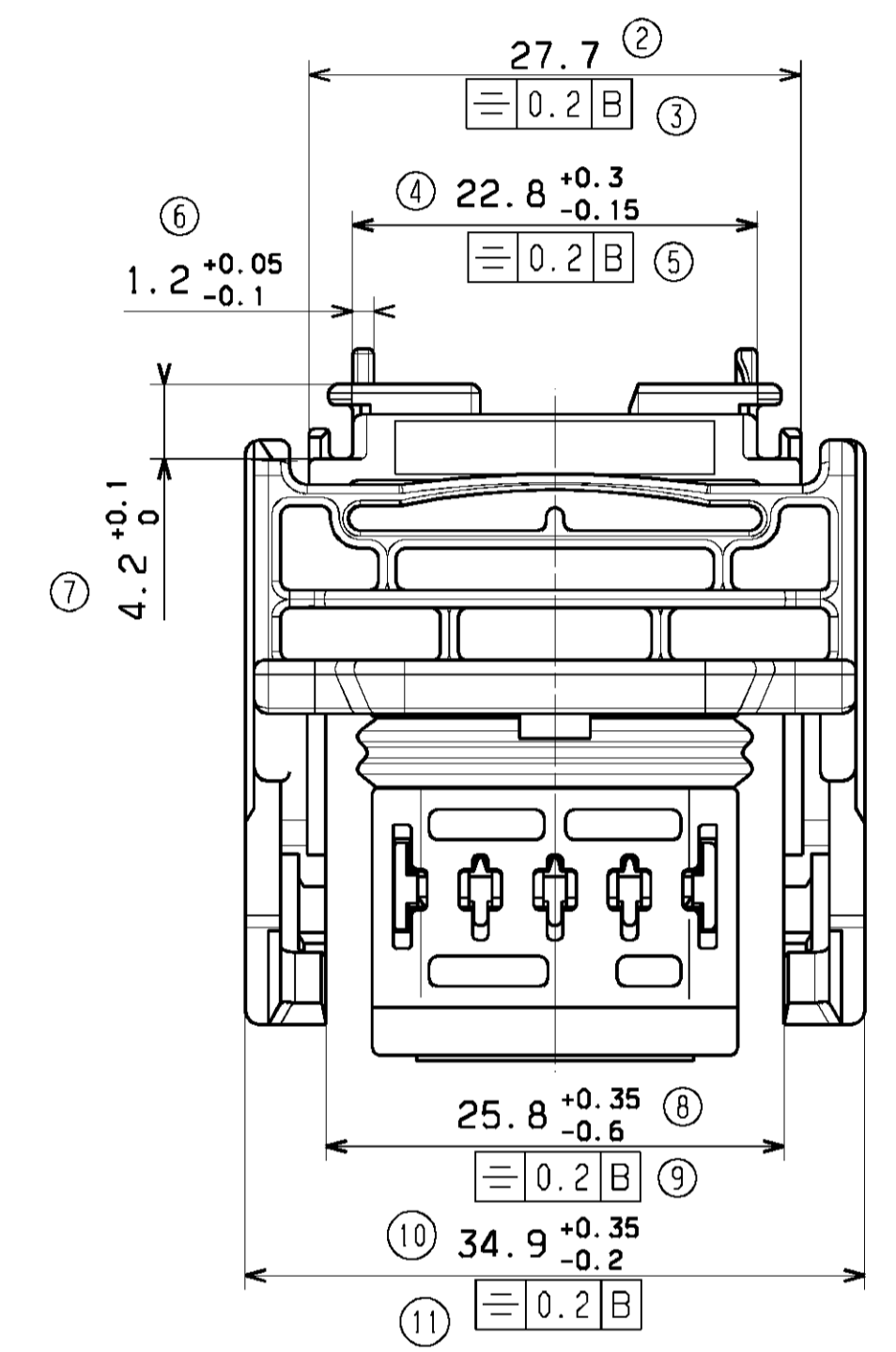
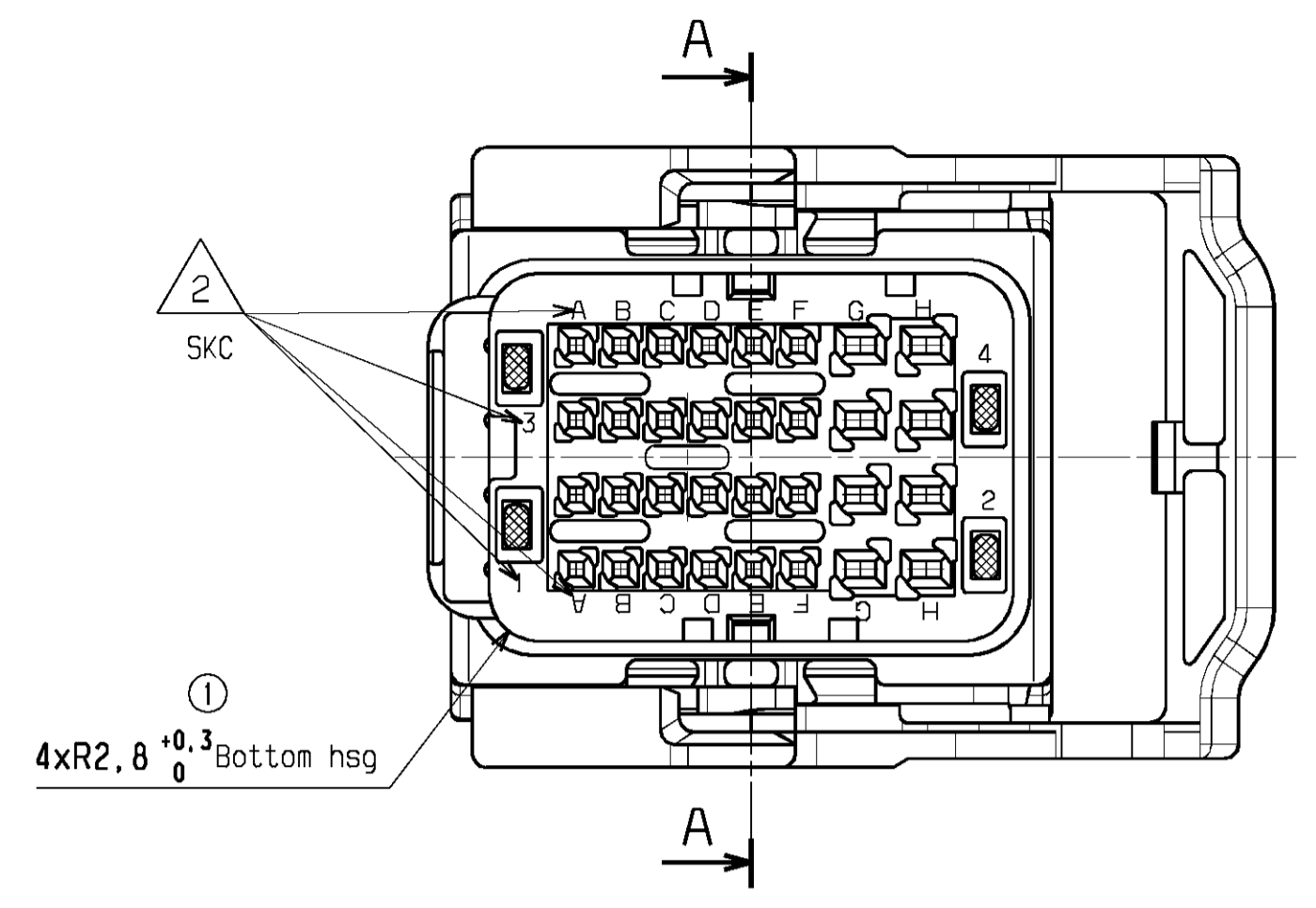
FEMALE HOUSING 32 WAY
LEFT WIRE OUTPUT

MATERIAL NUMBER	COLOR
0989934011	BLACK
0989934012	GREY
0989934013	BROWN
	GREEN
0989934015	BLUE
	YELLOW



FEMALE HOUSING 32 WAY
RIGHT WIRE OUTPUT

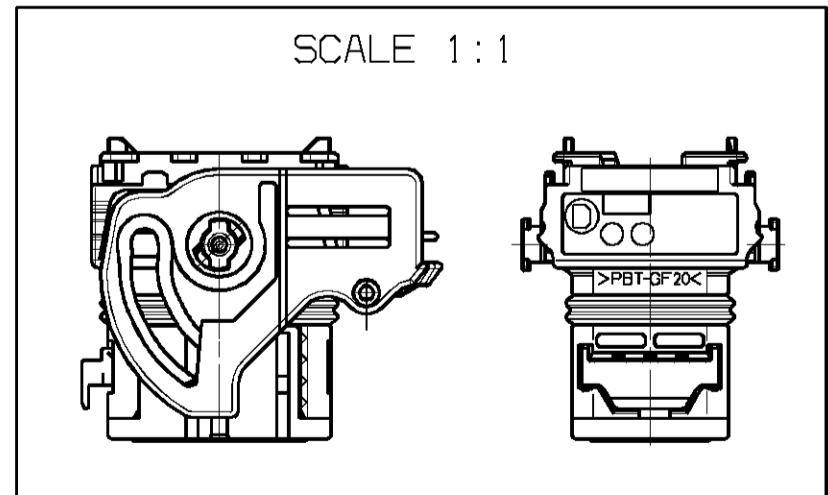
MATERIAL NUMBER	COLOR
0989935011	BLACK
0989935012	GREY
0989935013	BROWN
	GREEN
0989935015	BLUE
	YELLOW



NOTES

- FOR ILLUSTRATION PURPOSE THE FEMALE HOUSING SHOWN IS THE RIGHT WIRE OUTPUT VERSION CODING 1
- INTERFACE DEFINITION, OVERALL DIMENSION AND LOCATION ON HEADER AS PER SD-98644-005 (TBD)
- CAVITIES TERMINALS DESIGN AS PER DOCUMENTS RSD-98995-005 AND SPECIF RSD-98995-006
- PRODUCT MEETS PSA SPECIFICATION STE N°9629568099
- APPLICATION SPECIFICATION: RAS-98993-001
- WIRES EXTERNAL DIAMETER USED:
FOR CP0,6 TERMINAL: USE WIRES WITH AN EXTERNAL DIAMETER BETWEEN Ø1,20MM MIN AND Ø1,90MM MAX
FOR CP1,5 TERMINAL: USE WIRES WITH AN EXTERNAL DIAMETER BETWEEN Ø1,40MM MIN AND Ø2,80MM MAX
- THE CONNECTOR FITS WITH WIRE CAP T2 (32WAY) MOLEX P/N 098993101
- BLIND PLUG FOR 0,6 AND 1,5 CAVITIES (MOLEX P/N 0985751010 AND 0985751023) MUST BE USED ON THIS PART
- DELIVERED PRODUCT WEIGHT: 27,6 g

SCALE 1:1



SKC:	CS CHARACTERISTICS
⊠	DENOTES S.P.C DIMENSIONS
⊗	DENOTES CRITICAL DIMENSIONS
●	DENOTES FUNCTIONAL DIMENSIONS
QUANTITY PER INDIVIDUAL SHEET	
⊠ 0	⊗ 0
● 0	SKC: 13

0989930605	7	MATT SEAL	SILICONE SKC	GREEN
0989930636	6	BACK GRID 32 WAYS	PBT-GF20 SKC	GREY
0989930241	5	LOCKING LEVER SIZE 2	PBT-GF30 SKC	BLACK
0989930235	4	SECONDARY LOCK	PBT-GF20 SKC	GREEN
0986560001	3	PERIPHERAL SEAL SIZE 2	SILICONE SKC	BLUE
0989930211	2	BACK PART	PBT-GF20 SKC	BLACK
0989930221 0989930228 0989930226 0989930229	1	FRONT PART	PBT-GF20 SKC	COLOR ASSOCIATED TO KEYING
MATERIAL NUMBER	MARK	DESIGNATION	MATERIAL	COLOR

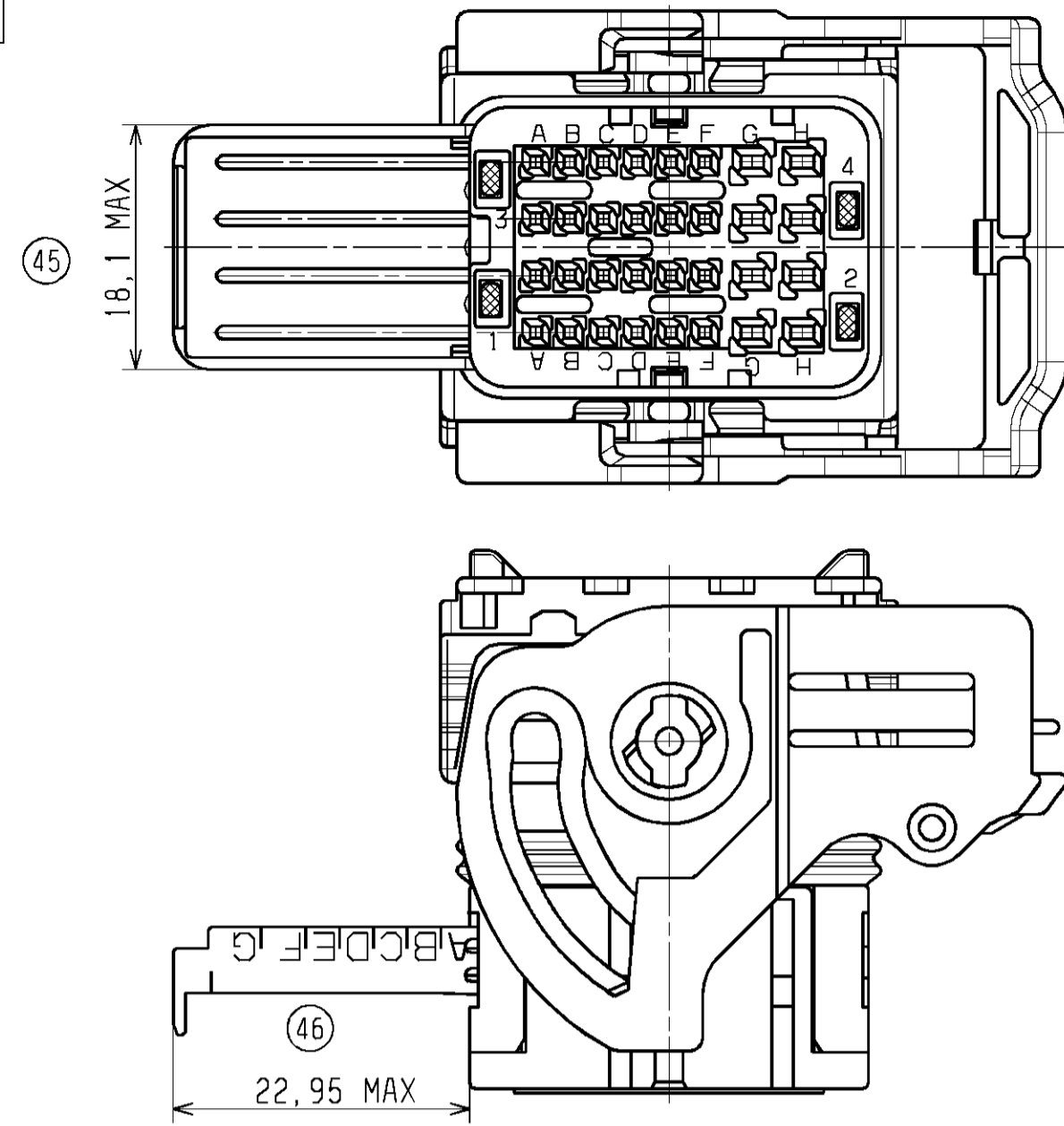
MARKINGS	
1	Assembled part tracability day + year
2	Terminal cavities identification
3	Lever position indicator: "D" LETTER VISIBLE= part with "LEVER ON THE RIGHT" "G" LETTER VISIBLE= part with "LEVER ON THE LEFT"
4	Supplier identification
5	Material identification

FIRST RELEASE	EC NO:G2008-0194	DRWN:TBADAROUX 2007/10/29	CH:KO:PORANDCLAUDE 2007/10/29	APPR:CBDOUCHAN 2007/10/29
A	REV	DESCRIPTION		

GENERAL TOLERANCES (UNLESS SPECIFIED)		DIMENSION STYLE		SCALE	DESIGN UNITS	FIRST ANGLE PROJECTION	
PLACES	TOLERANCE	MM ONLY	INCH	2.5:1	METRIC		
4 PLACES	±	mm	INCH			DRAWN BY TBADAROUX DATE 2007/10/29	
3 PLACES	±					CHECKED BY PGRANDCLAUDE DATE 2007/10/29	
2 PLACES	± 0.1					APPROVED BY CBOUCHAN DATE 2007/10/29	
1 PLACE	± 0.1					MATERIAL NO. SEE CHART DOCUMENT NO. SD-98993-021 SHEET NO. 1 OF 2	
ANGULAR ± 2°		DRAFT WHERE APPLICABLE MUST REMAIN WITHIN DIMENSIONS		SIZE A1		THIS DRAWING CONTAINS INFORMATION THAT IS PROPRIETARY TO MOLEX INCORPORATED AND SHOULD NOT BE USED WITHOUT WRITTEN PERMISSION	

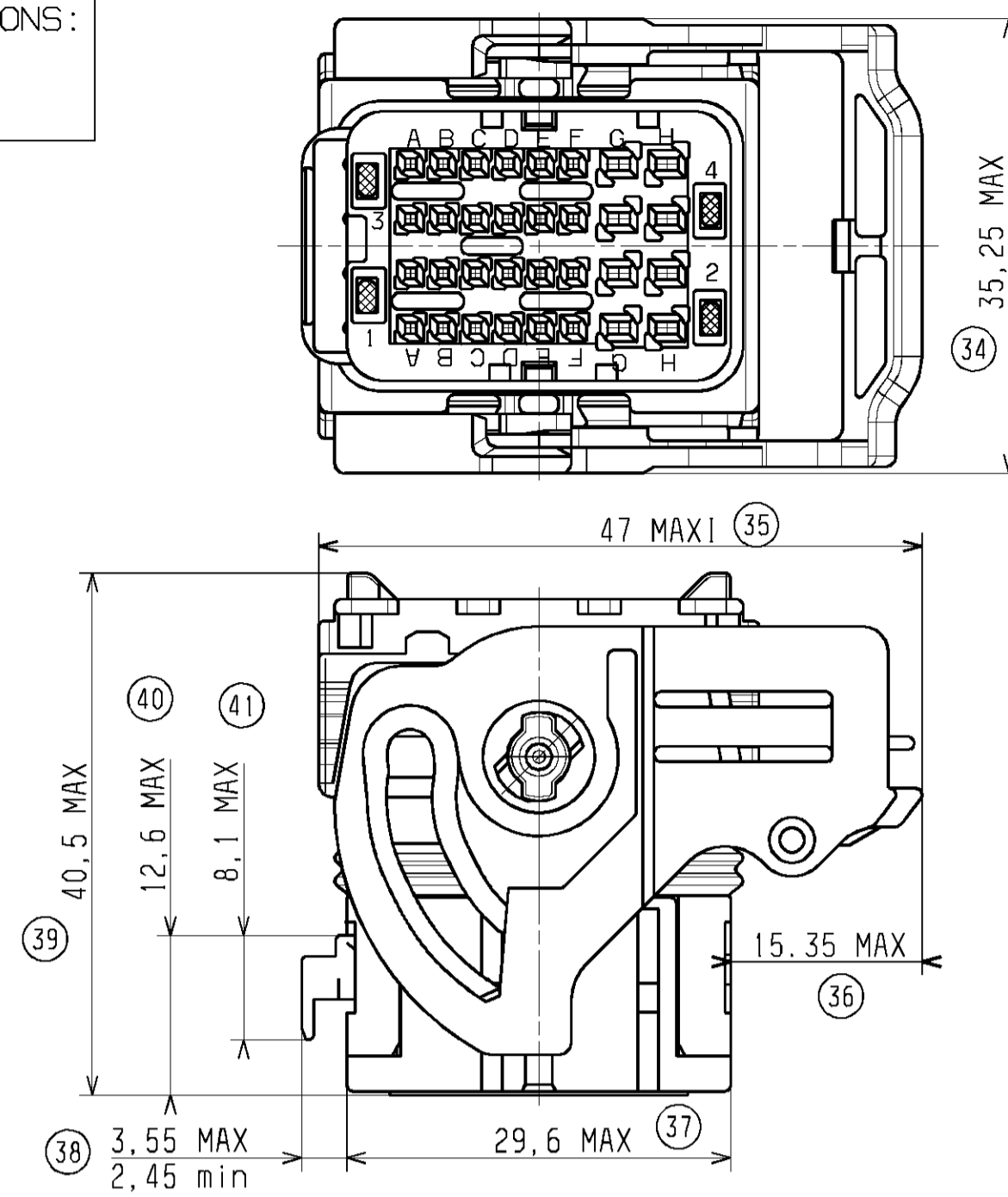
CONNECTOR OVERALL DIMENSIONS:
SECONDARY LOCKING FULLY OPENED
FOR TERMINAL INSERTION

RIGHT WIRE OUTPUT

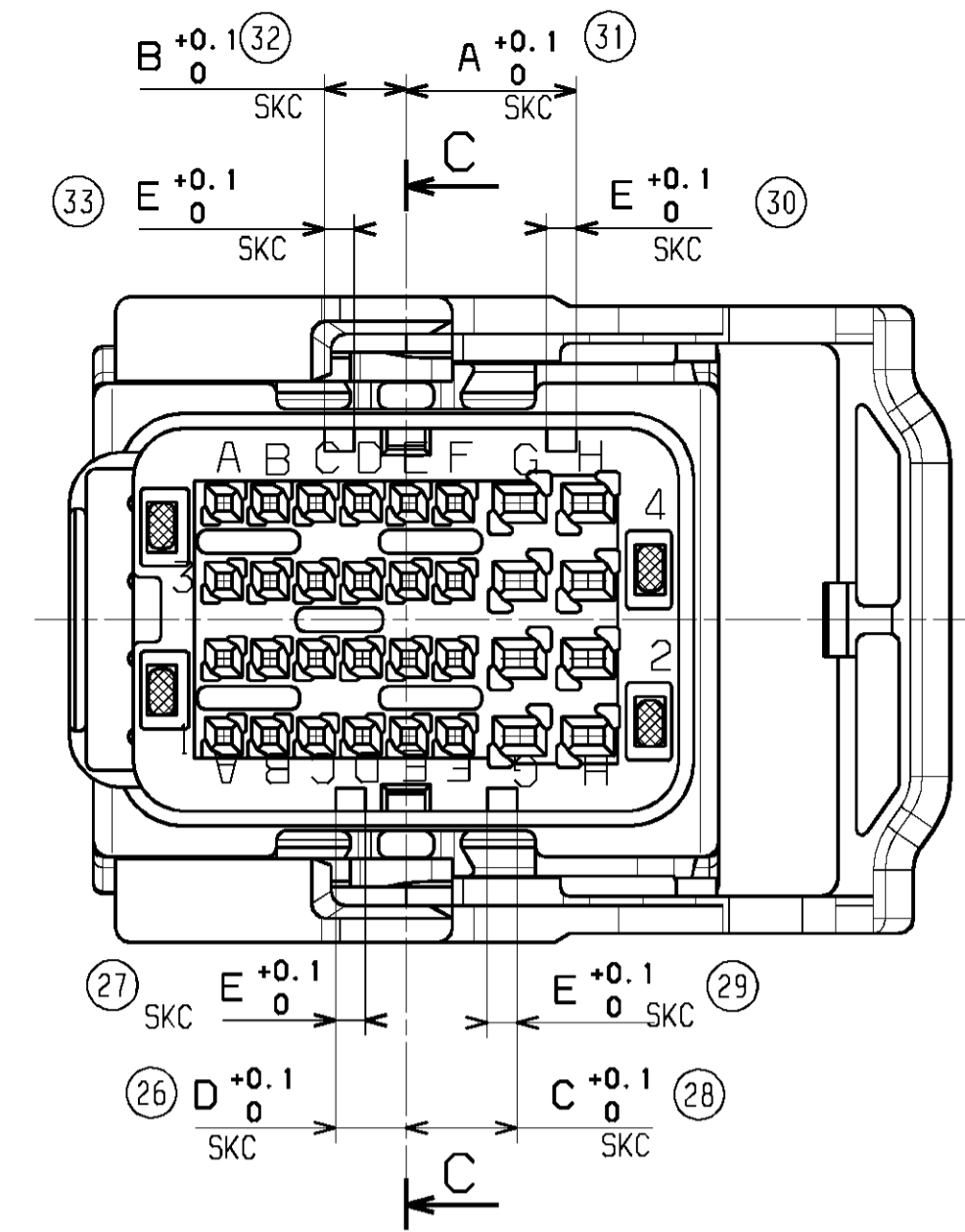


CONNECTOR OVERALL DIMENSIONS:
SECONDARY LOCKING IN
DELIVERY POSITION

RIGHT WIRE OUTPUT

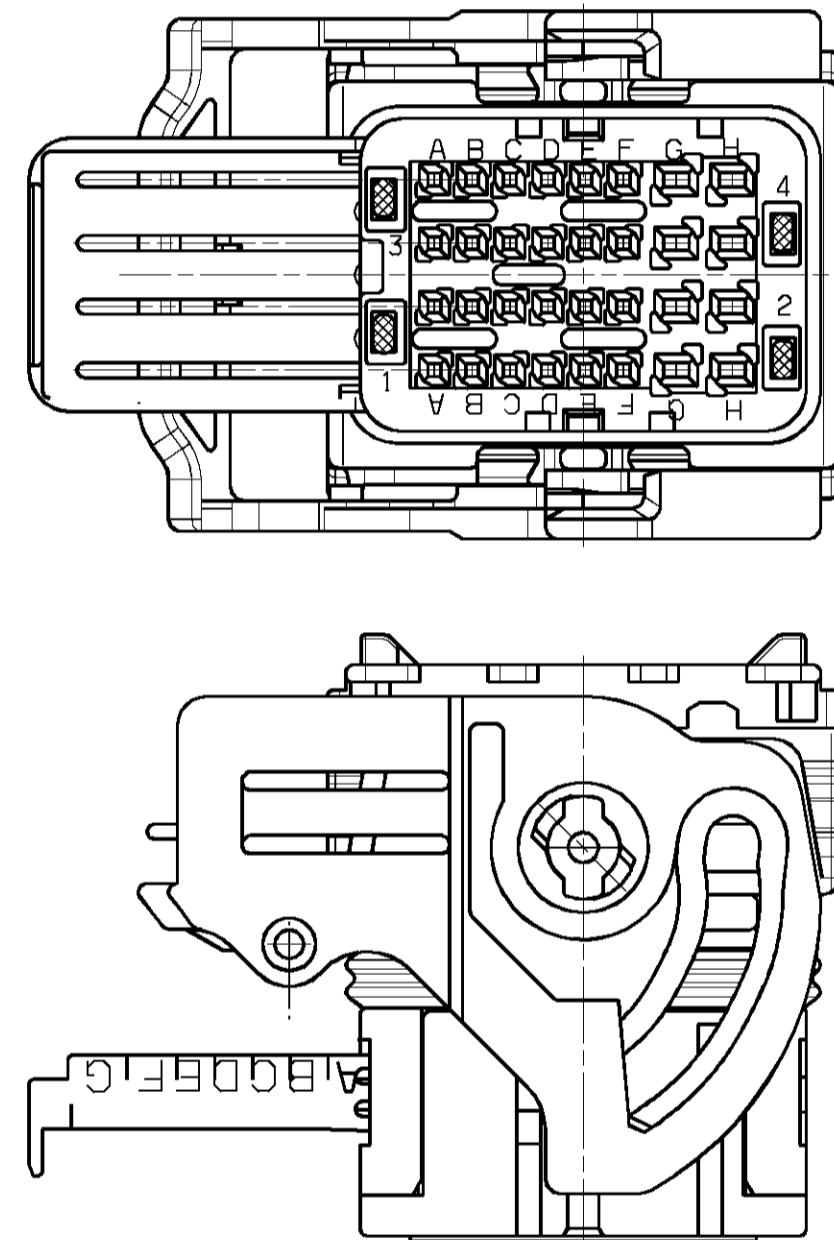


CODING POSITION



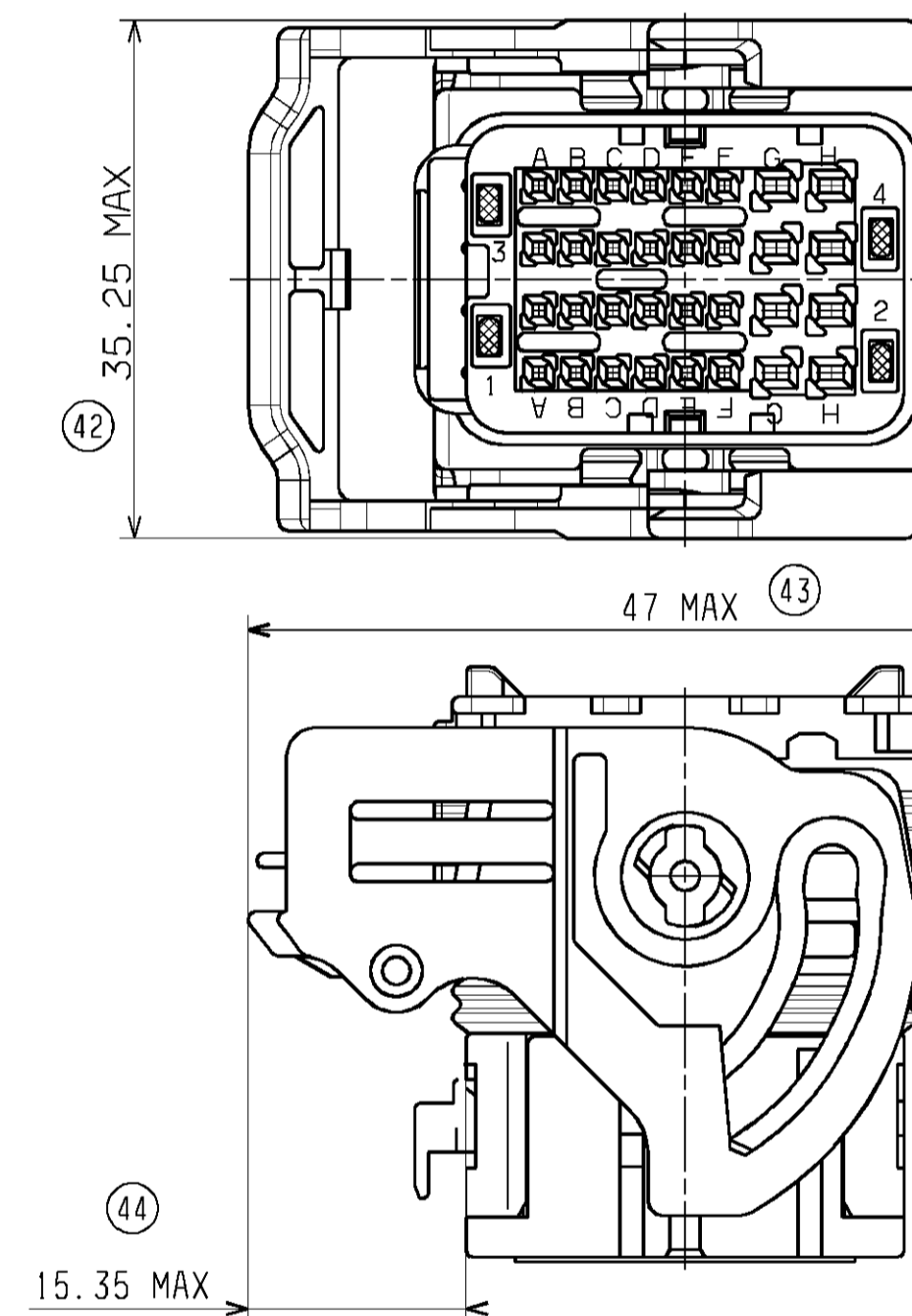
CONNECTOR OVERALL DIMENSIONS:
SECONDARY LOCKING FULLY OPENED
FOR TERMINAL INSERTION

LEFT WIRE OUTPUT

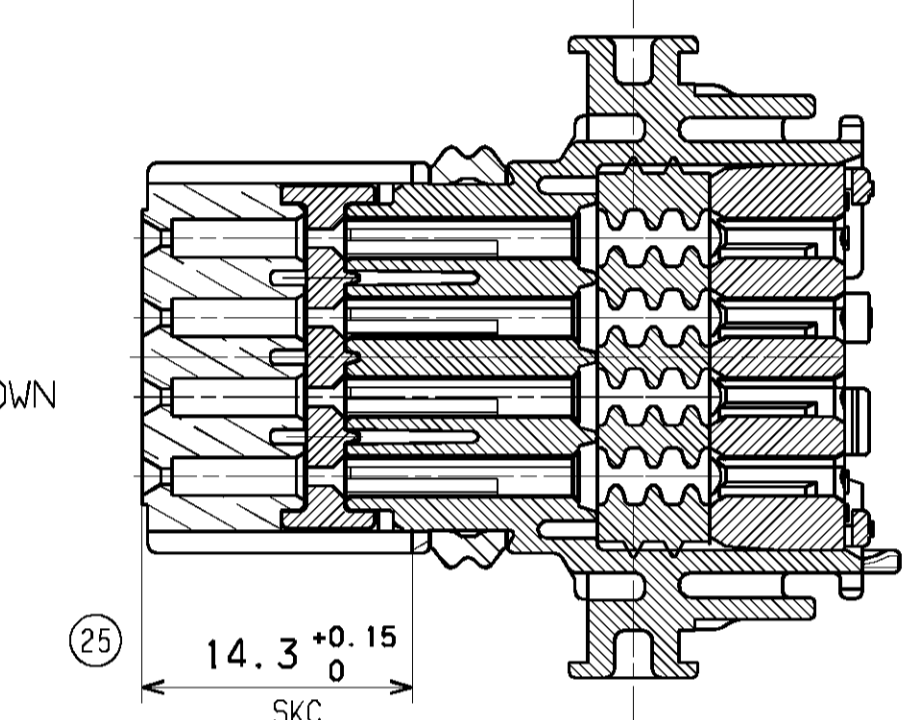


CONNECTOR OVERALL DIMENSIONS:
SECONDARY LOCKING IN
DELIVERY POSITION

LEFT WIRE OUTPUT



C-C
LEVER NOT SHOWN



COLOR	KEYING	A ^{+0.1} / ₀	B ^{+0.1} / ₀	C ^{+0.1} / ₀	D ^{+0.1} / ₀	E ^{+0.1} / ₀
BLACK	1	9,2	4,4	6	4,4	1,6
GREY	2	7,6	6	9,2	6	1,6
BROWN	3	6	7,6	9,2	9,2	1,6
GREEN	4	7,6	9,2	4,4	4,4	1,6
BLUE	5	4,4	7,6	6	6	1,6
YELLOW	6	9,2	7,6	4,4	7,6	1,6

TERMINALS USED	MOLEX PART NUMBER				
	TIN PLATED TERMINAL		GOLD PLATED TERMINAL 1.27µm min		
CAVITIES IDENTIFICATION	A1 to F1 A2 to F2 A3 to F3 A4 to F4 (CP0,6)	FEMALE TERMINAL 0,635 (0,35 to 0,44 mm ²) 0989131019	FEMALE TERMINAL 0,635 (0,5 to 0,75 mm ²) 0989131029	FEMALE TERMINAL 0,635 (0,35 to 0,44 mm ²) 0989131229	FEMALE TERMINAL 0,635 (0,5 to 0,75 mm ²) 0989131219
	G1 to G4 H1 to H4 (CP1,5)	FEMALE TERMINAL 1,5 (0,5 to 1 mm ²) 0989151029	FEMALE TERMINAL 1,5 (>1 to 2 mm ²) 0989151039	FEMALE TERMINAL 1,5 (0,5 to 1 mm ²) 0989151319	FEMALE TERMINAL 1,5 (>1 to 2 mm ²) 0989151219

SKC: CS CHARACTERISTICS

- ☒ DENOTES S.P.C DIMENSIONS
- ⊗ DENOTES CRITICAL DIMENSIONS
- DENOTES FUNCTIONAL DIMENSIONS

QUANTITY PER INDIVIDUAL SHEET

☒ 0 ⊗ 0 ● 0 SKC: 9

FIRST RELEASE EC NO: G2008-0194 DRWN: TBADAROUX 2007/10/29 CH: KO: PGRANDCLAUDE 2007/10/29 APPR: CBOUCHAN 2007/10/29	DESCRIPTION	GENERAL TOLERANCES (UNLESS SPECIFIED)		DIMENSION STYLE MM ONLY		SCALE 2:1	DESIGN UNITS METRIC	FIRST ANGLE PROJECTION		
		mm	INCH	DRAWN BY TBADAROUX	DATE 2007/10/29	TITLE CMC CONNECTOR T2 32 WAY MATT SEAL VERSION				
		4 PLACES ±	±	CHECKED BY PGRANDCLAUDE	DATE 2007/10/29	MATERIAL NO. SEE SHEET 1		DOCUMENT NO. SD-98993-021	SHEET NO. 2 OF 2	
		3 PLACES ±	±	APPROVED BY CBOUCHAN	DATE 2007/10/29	THIS DRAWING CONTAINS INFORMATION THAT IS PROPRIETARY TO MOLEX INCORPORATED AND SHOULD NOT BE USED WITHOUT WRITTEN PERMISSION				