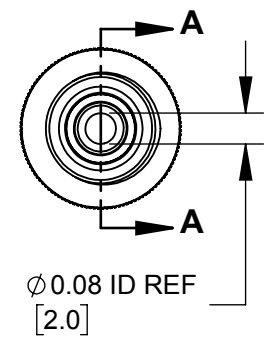
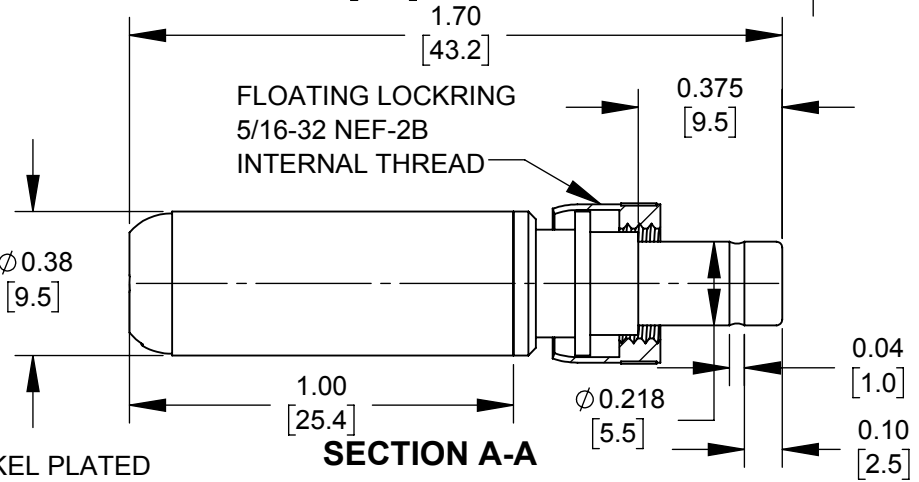
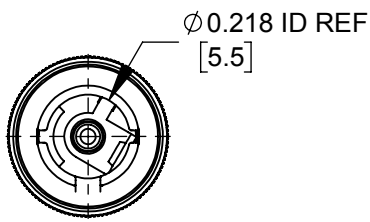
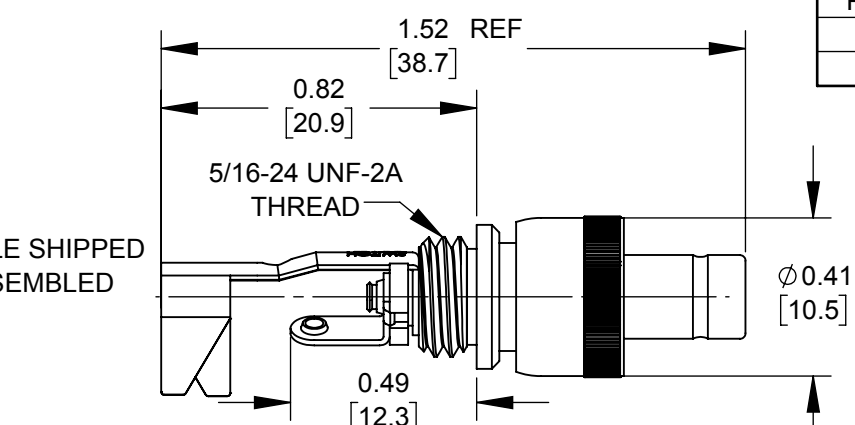


PART NUMBER	HANDLE COLOR
S760KZ	BLACK
S765KZ	RED



- NOTES:
- MATERIALS:
 CONDUCTORS & LOCKRING - BRASS, NICKEL PLATED
 TERMINALS - BRASS, TIN PLATED
 INSULATORS & HANDLE - THERMOPLASTIC

2. THIS PRODUCT IS RoHS COMPLIANT

CUSTOMER DRAWING

					UNLESS OTHERWISE SPECIFIED 1. ALL DIMENSIONS IN INCHES [mm] - TWO PLACE DECIMALS ±0.02 [0.5] - THREE PLACE DECIMALS ±0.005 [0.13]
0A	FIRST DRAWN	10/24/19	AM	*	
REV	ECO NUMBER	DATE	BY	APVD	
REVISIONS					DO NOT SCALE DRAWING

THIS DRAWING DESCRIBES A DESIGN CONSIDERED PROPRIETARY IN NATURE, DEVELOPED AND MANUFACTURED BY SWITCHCRAFT INC. AND IS RELEASED ON A CONFIDENTIAL BASIS FOR IDENTIFICATION PURPOSES ONLY.					
SIZE *	WIDTH *	MULT *	LBS/M *	TEMPER *	
FINISH *			MATERIAL *		
SPEC No. *			SPEC No. *		
FIRST USED ON *		SCALE 2:1			
DATE DRAWN	BY	CHKD *	APVD *		
10/24/19	AM	*	*		
NAME			PART No.		REV
Ø0.08 [2.0]mm X 0.375 LONG IMPROVED PWR PLG W/LOCKRING, RoHS			S760KZ-S765KZ		0A

Switchcraft®

SHEET 1 OF 1