



- 10/100/1000 Base-T for Ethernet Applications
- RJ45 jack cavity conforms to FCC rules and regulations  
Part 68, SUB Part F
- Industrial Temp: -40°C to +85°C
- Available in other Circuit Designs
- Optional Gold Plating Thickness

**Electrical Specifications @ 25°C**

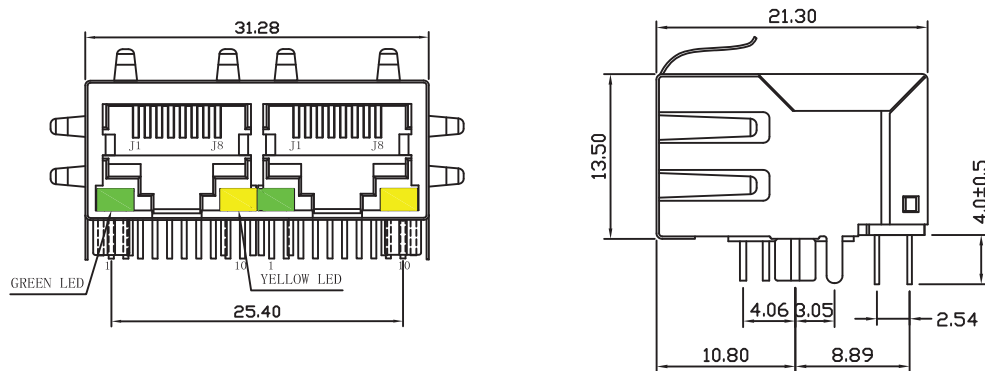
Part Number	OCL(uH Min) @ 100kHz, 0.1V	Turns Ratio chip: cable (±2%)	Insertion Loss (dB Max)	Return Loss (dB Min)			
	With 8mA DC Bias		1-65MHz	1-10MHz	10-30MHz	30-60MHz	60-100MHz
AR12-3978I	350	1CT:1CT	-1.0	-20	-16	-12	-10

**Electrical Specifications @ 25°C**

Cross Talk (dB Min)			CMR (dB Min)		HI-POT
1-30MHz	30-60MHz	60-100MHz	1-50MHz	50-150MHz	
-40	-35	-30	-30	-20	1500Vrms min

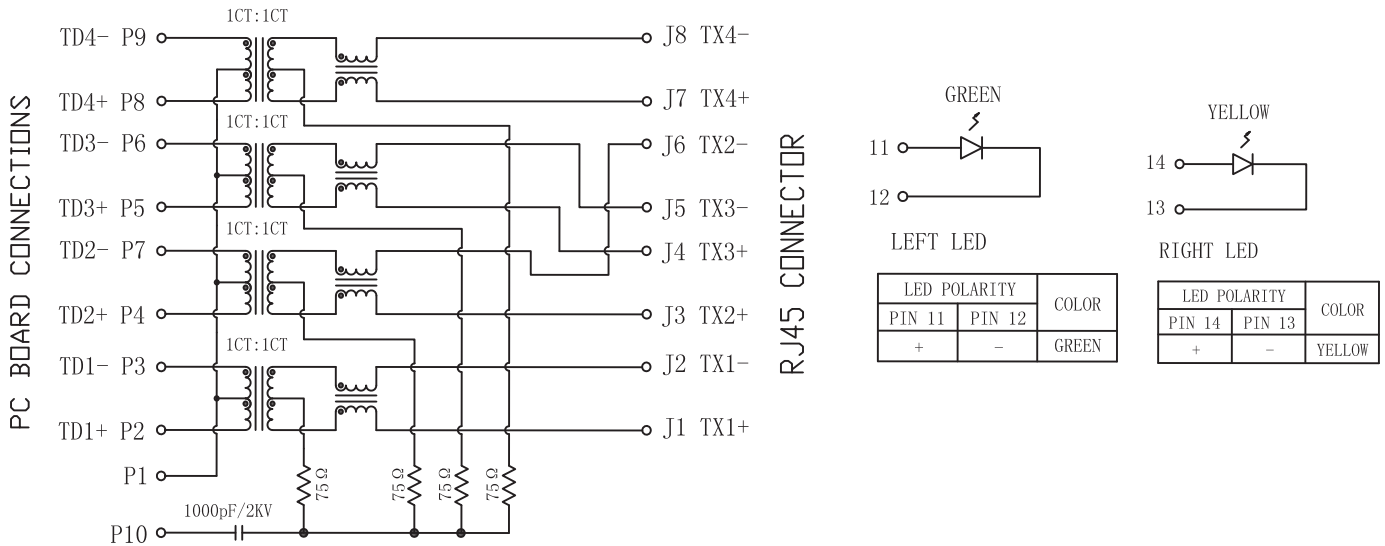
All specifications subject to change without notice.

**MECHANICAL**

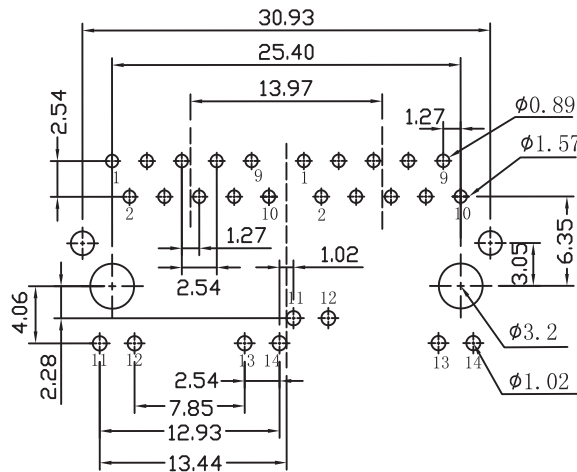




SCHEMATICS



PCB LAYOUT



NOTES

1. Designed to support application, such as SOHO (ADSL modems), LAN-on-Motherboard (LOM), hub and Switches.
2. Meets IEEE 802.3 specification
3. Connector Materials:  
 Housing: Thermoplastic UL94V-0  
 Contact/Shield: Copper alloy  
 Shield plating: Nickel  
 Contact plating: Gold 6 micro-inches min. In contact area.
4. Wave solder tip temperature: 265°C Max  
 Wave solder tip temperature time: 5 Sec Max