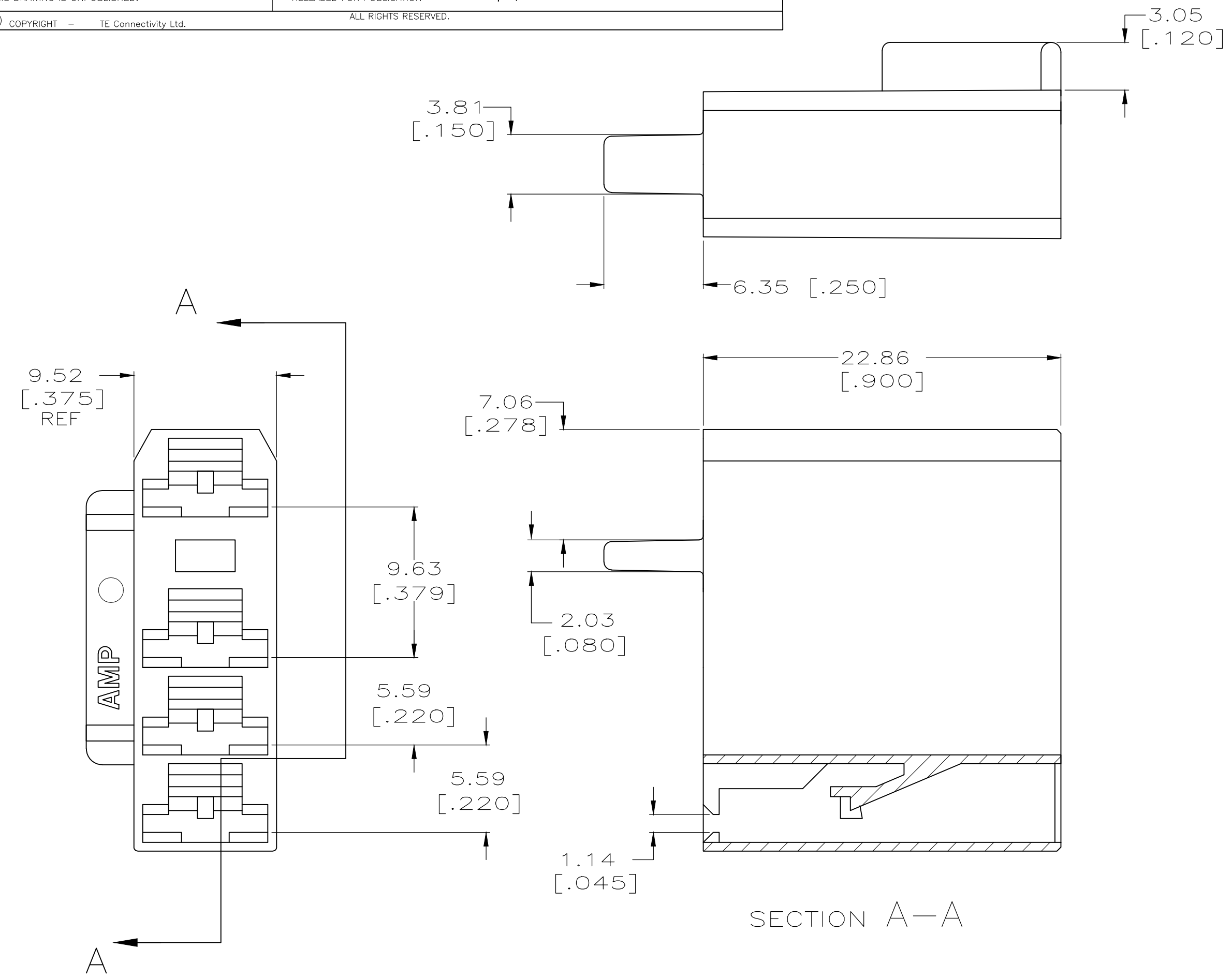
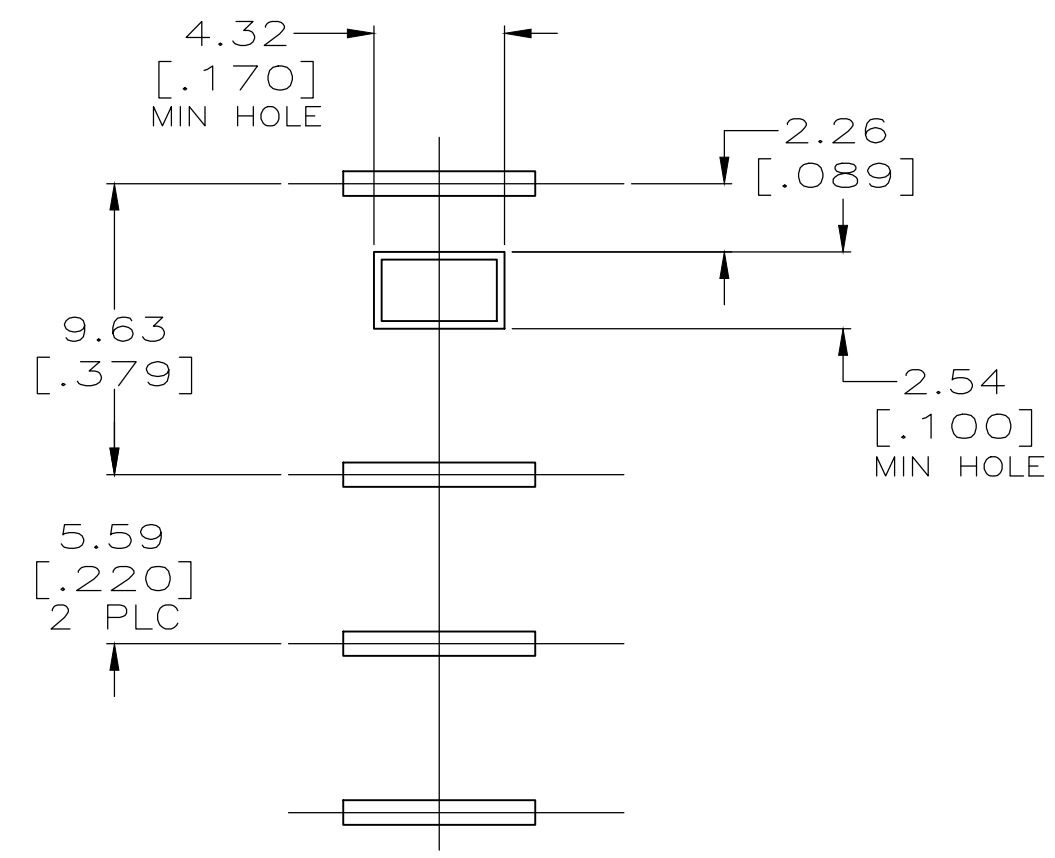
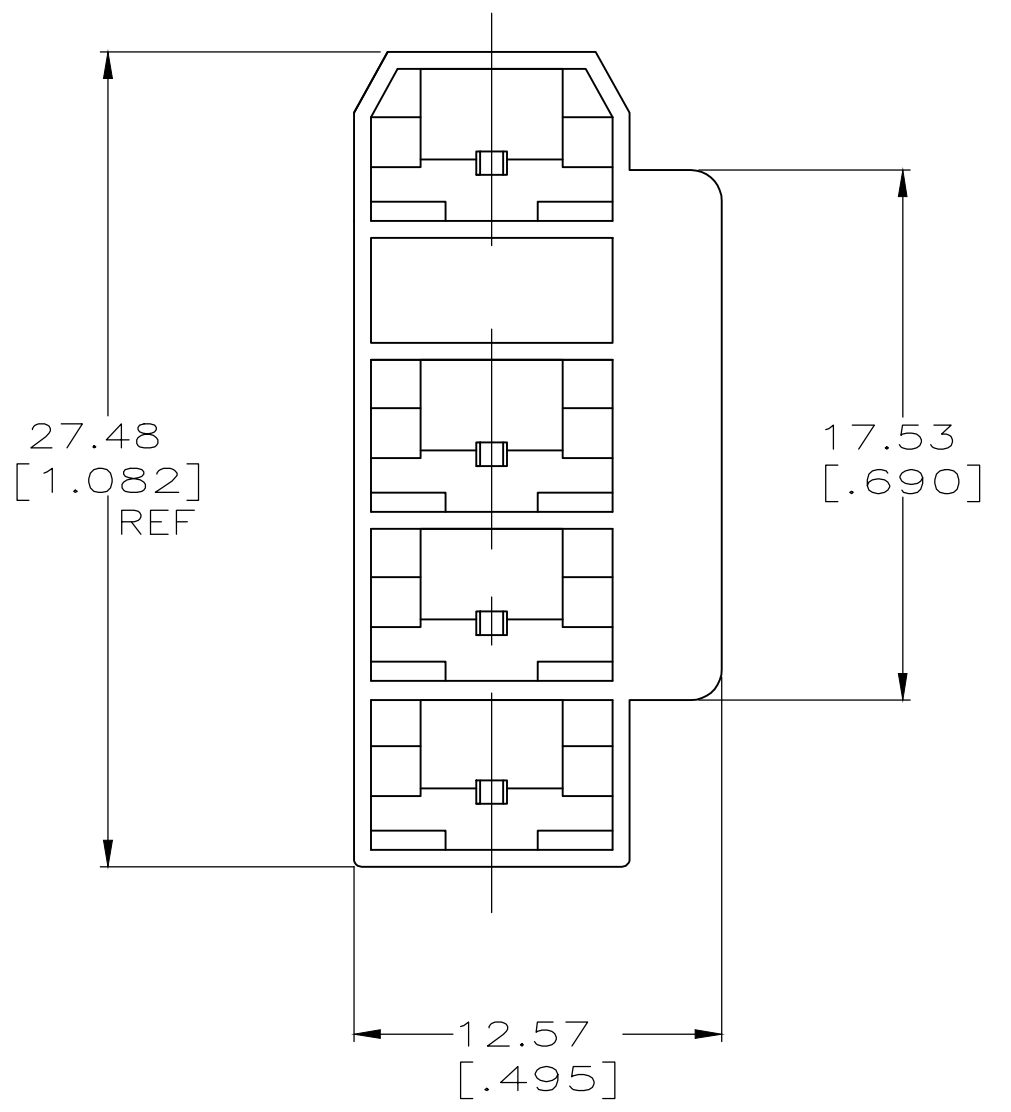


REVISIONS					
P	LTR	DESCRIPTION	DATE	DWN	APVD
B2		REVISED PER ECR-19-010752	25JUL2019	BDA	DS

- 1 FOR USE WITH TYCO ELECTRONICS 250 SERIES LOW INSERTION RECEPTACLES.
- △ PREPRODUCTION ONLY, AGENCY APPROVAL IS PENDING.



SECTION A-A



SUGGESTED P.C.BOARD DIMENSIONS

BLACK	NYLON V0	521065-2 △ ₂
BLACK	6/6 NYLON	521065-1
FINISH	MATERIAL	PART NUMBER

THIS DRAWING IS A CONTROLLED DOCUMENT.		DWN	JR RUTH	7/28/94	TE TE Connectivity
DIMENSIONS: INCHES		CHK	MS FEHER	7/28/94	
TOLERANCES UNLESS OTHERWISE SPECIFIED:		APVD	-	-	
0 PLC ± - 1 PLC ± - 2 PLC ± - 3 PLC ± 0.25 [.010] 4 PLC ± - ANGLES ± -		PRODUCT SPEC	-	NAME	
MATERIAL	SEE TABLE	FINISH	SEE TABLE	WEIGHT	SIZE
		CUSTOMER DRAWING		SCALE	4:1
				SHEET	1 OF 1
				REV	B2