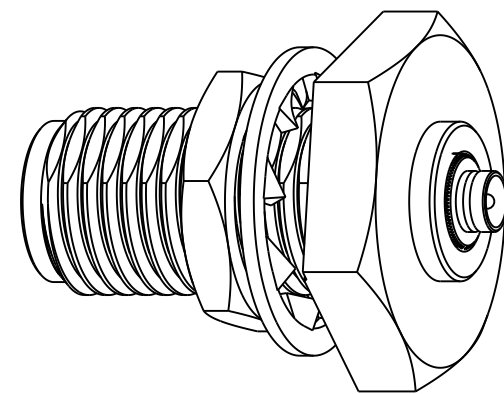


NOTES:

1. MATERIALS AND FINISHES:
 - HEX NUT - BRASS, GOLD PLATING PLATING
 - LOCK WASHER - BRASS, GOLD PLATING PLATING
 - GASKER - SILICONE RUBBER, RED
 - BODY - BRASS, GOLD PLATING
 - CONTACT - BRASS, GOLD PLATING
 - INSULATOR - PTFE, NATURAL
2. ELECTRICAL:
 - A. IMPEDANCE: 50 OHM
 - B. FREQUENCY RANGE: 0-6 GHz
 - C. VSWR: 1.3 MAX.
 - D. D.W.V: 100 VRMS, MIN.
3. MECHANICAL:
 - A. DURABILITY: RSMA: 500 CYCLES MIN.
AMC: 30 CYCLES MIN.
 - B. TEMPERATURE RANGE: -40°C TO +90°C
4. MAX PANEL THICKNESS = 3.8MM

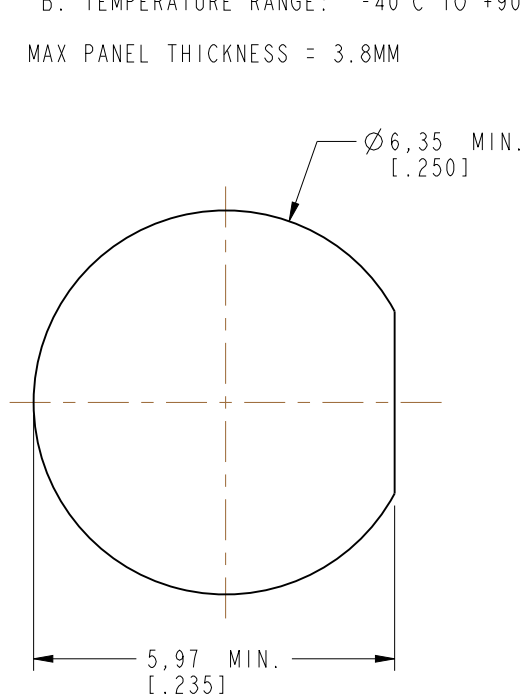


SCALE 4.000

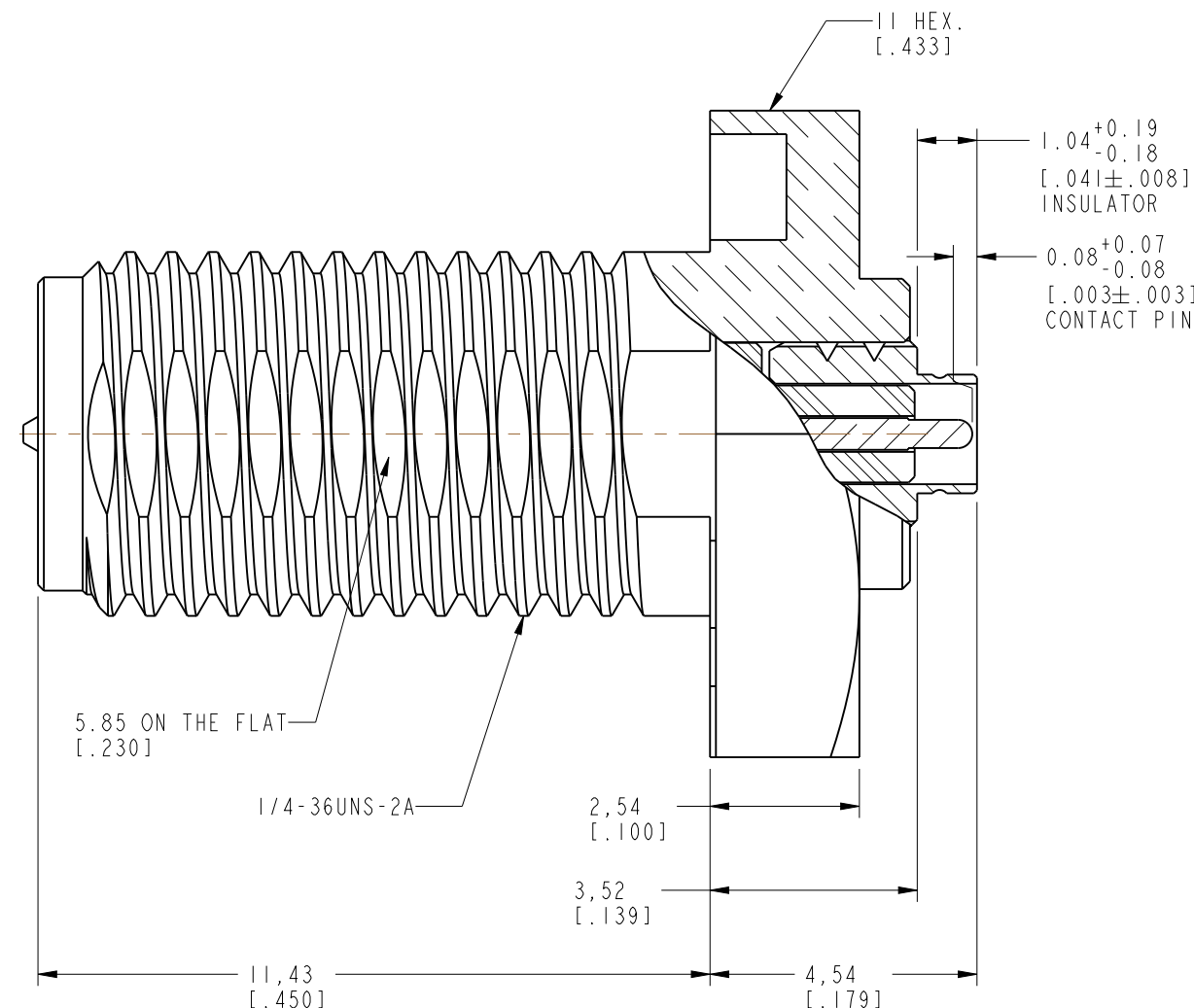
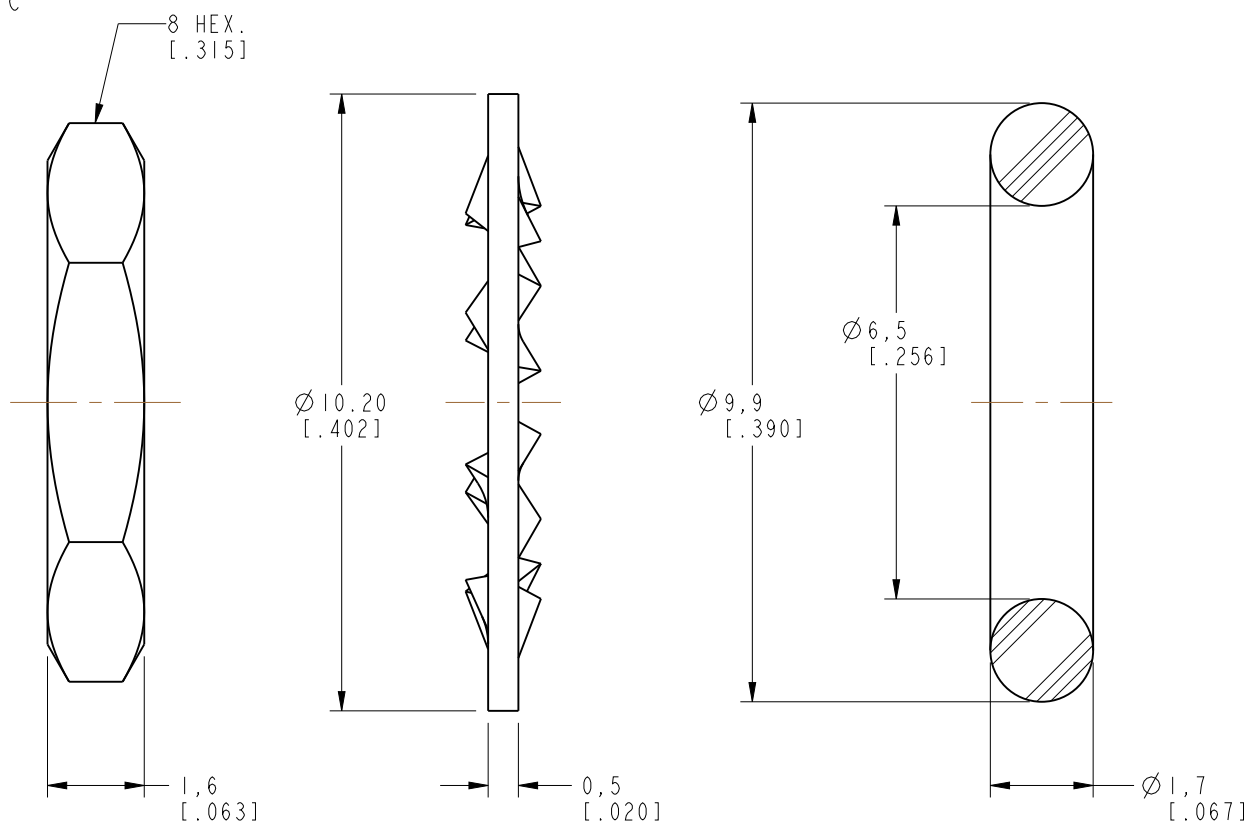
THIRD ANGLE PROJ.

REVISIONS

REV	DESCRIPTION	DATE	ECO	APPR
NC	INITIAL RELEASE	28-May-07	----	GRS
A	SYNC, REDRAWN IN THE PRO/E	05-Jun-18	8267	MZ



RECOMMENDED MOUNTING HOLE



CUSTOMER OUTLINE DRAWING

ALL OTHER SHEETS ARE FOR INTERNAL USE ONLY

UNLESS OTHERWISE SPECIFIED, DIMENSIONS ARE IN METRIC AND TOLERANCES ARE:
 <0.5mm ±0.05mm 0.5 - 6mm ±0.1mm 6 - 30mm ±0.2mm 30 - 120mm ±0.3mm ANGLES ±1°

NOTICE - These drawings, specifications, or other data (1) are, and remain the property of Amphenol corp. (2) must be returned upon request; and (3) are confidential and not to be disclosed to any person other than those to whom they are given by Amphenol Corp. the furnishing of these drawings, specifications, or other data by Amphenol Corp., or to any other person to anyone for any purpose is not to be regarded by implication or otherwise in any manner licensing, granting rights to permitting such holder or any other person to manufacture, use or sell any product, process or design, patented or otherwise, that may in any way be related to or disclosed by said drawings, specifications, or other data.

MATERIAL	SEE NOTES
REFERENCE AND CONFIGURATION LEVEL: In Work	
FINISH	

DRAWN	M. ZHANG	DATE	14-Dec-17
ENGINEER	S. LI	DATE	23-Jul-13
APPROVED	K. CAPOZZI	DATE	05-Jun-18
CAD FILE			

TITLE		SMA REVERSE POLARITY BULKHEAD TO UFL PLUG ADAPTER	
SCALE: 8.0:1.0	SHEET	2 OF 2	
DWG SIZE	B	REV	A

Amphenol RF	
www.amphenolrf.com	
DRAWING NO. RSMAM-UFLM-3GT30G-50	
ITEM NO.	61M-69MI-GE-5-F
PART NO.	242201RP