

注記:
NOTES:

- ① 材質: TABLE 1参照
MATERIAL: SEE TABLE 1.
- ② 偶数極に適用。
APPLY FOR EVEN CIRCUIT.
- ③ 製品仕様書、コネクタ取扱説明書、適合嵌合相手、適合ターミナルはSHEET 2をご参照ください。
PLEASE REFER TO SHEET 2 FOR PRODUCT SPECIFICATION, APPLICATION SPECIFICATION, MATE WITH AND APPLICABLE TERMINAL.
- ④ 発注番号
ORDER NUMBER

214092 20*0

極数
CIRCUIT SIZE

① TABLE 1

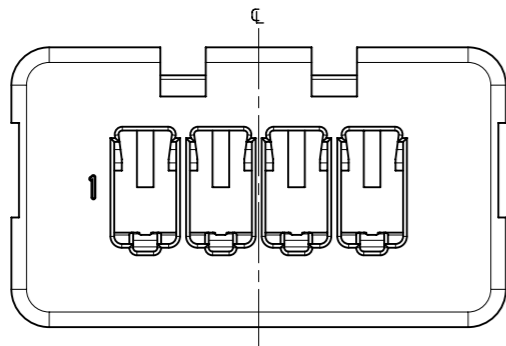
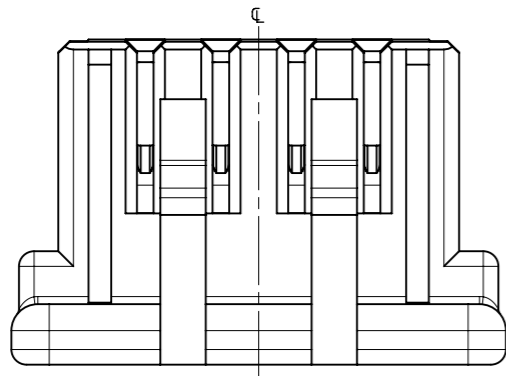
ポリ袋 POLYBAG	7.0	10.54	214092 2080	8
	6.0	9.54	214092 2070	7
	5.0	8.54	214092 2060	6
	4.0	7.54	214092 2050	5
	3.0	6.54	214092 2040	4
	2.0	5.54	214092 2030	3
	1.0	4.54	214092 2020	2
梱包形態 PACKAGING	B	A	④ 発注番号 ORDER NUMBER	極数 CIRCUIT SIZE

THIS DRAWING CONTAINS INFORMATION THAT IS PROPRIETARY TO MOLEX ELECTRONIC TECHNOLOGIES, LLC AND SHOULD NOT BE USED WITHOUT WRITTEN PERMISSION		CURRENT REV DESC:		molex		
DIMENSION UNITS	SCALE					
mm	NTS			PRODUCT CUSTOMER DRAWING		
GENERAL TOLERANCES (UNLESS SPECIFIED)				DOCUMENT NUMBER		
ANGULAR TOL ± 3.0°				2140920000-SD		
4 PLACES ± 0.2		EC NO: 688260		DOC TYPE		
3 PLACES ± 0.2		DRWN: AISHIKAWA 2021/07/16		DOC PART		
2 PLACES ± 0.2		CHK'D: AIDA 2021/12/13		REVISION		
1 PLACE ± 0.2		APPR: SAKIYAMA 2021/12/13		A		
0 PLACES ± 0.2		INITIAL REVISION:				
		DRWN: AISHIKAWA 2021/07/16				
		APPR: SAKIYAMA 2021/12/13				
DRAFT WHERE APPLICABLE MUST REMAIN WITHIN DIMENSIONS		THIRD ANGLE PROJECTION	DRAWING	SERIES	MATERIAL NUMBER	CUSTOMER
			A3-SIZE	214092	SEE SHEET1	GENERAL
				SHEET NUMBER	1 OF 2	

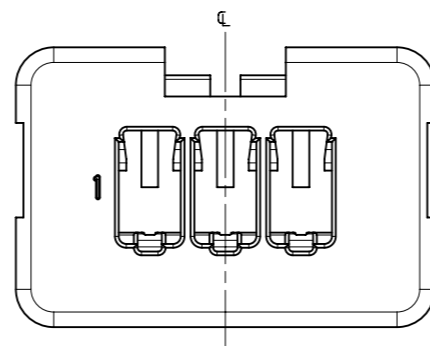
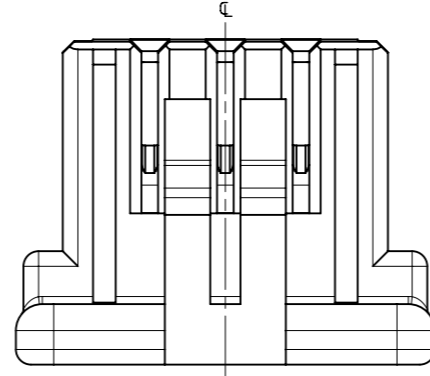
部品 PART	材質 MATERIAL
ハウジング HOUSING	ポリアミド(PA),ガラス充填,UL94 V-0,色: 黒 POLYAMIDE (PA),GLASS FILLED,UL94 V-0,COLOR:BLACK
DOCUMENT STATUS	P1
RELEASE DATE	2021/12/13 10:05:04

極数別ロック形状

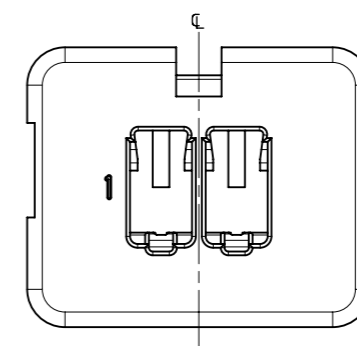
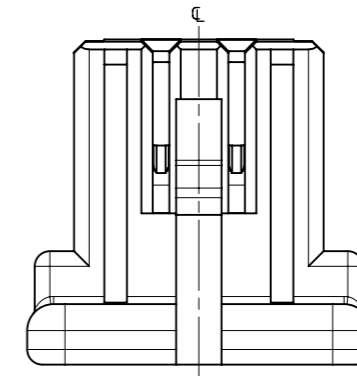
LOCK SHAPE AT EACH CIRCUIT



4 ~ 8極形状(2ロック)
VIEW OF 4~8 CIRCUIT(2 LOCKS)



3極形状(2ロック)
VIEW OF 3 CIRCUIT(2 LOCKS)



2極形状(1ロック)
VIEW OF 2 CIRCUIT(1 LOCK)

△ 適用製品及び各種仕様書

APPLICABLE PRODUCTS AND VARIOUS SPECIFICATIONS

梱包仕様書 PACKAGING SPECIFICATION	2140929200-SPK 200		
適合ターミナル APPLICABLE TERMINAL	製品番号 PART NUMBER	めっきタイプ PLATING TYPE	電線サイズ WIRE SIZE(AWG)
	2140935000 2140935100		TIN
適合嵌合相手 MATE WITH	電線対基板 WIRE TO BOARD		
	TIN PLATING		
シリーズ番号 SERIES NUMBER	VERTICAL	RIGHT ANGLE	
	2-8 CIRCUIT		
製品仕様書 PRODUCT SPECIFICATION	214094	214097	
コネクタ取扱説明書 APPLICATION SPECIFICATION	2166940000-AS 000		

製品嵌合図は各嵌合相手図面を参照のこと
MATING VIEW : REFER TO EACH "MATE WITH" PART DRAWING.

THIS DRAWING CONTAINS INFORMATION THAT IS PROPRIETARY TO MOLEX ELECTRONIC TECHNOLOGIES, LLC AND SHOULD NOT BE USED WITHOUT WRITTEN PERMISSION										
DIMENSION UNITS	SCALE	CURRENT REV DESC:								
mm	NTS	<p>ONEBLADE1.0 WTB SINGLE ROW RECEPTACLE HOUSING</p> <p>PRODUCT CUSTOMER DRAWING</p>								
GENERAL TOLERANCES (UNLESS SPECIFIED)										
ANGULAR TOL	± 3.0 °									
4 PLACES	± 0.2									
3 PLACES	± 0.2									
2 PLACES	± 0.2									
1 PLACE	± 0.2	EC NO: 688260	2021/07/16		2021/12/13		2021/12/13			
0 PLACES	± 0.2	DRWN: AISHIKAWA	2021/07/16		2021/12/13		2021/12/13			
DRAFT WHERE APPLICABLE MUST REMAIN WITHIN DIMENSIONS		THIRD ANGLE PROJECTION	DRAWING	SERIES	MATERIAL NUMBER	CUSTOMER	DOCUMENT NUMBER	DOC TYPE	DOC PART	REVISION
			A3-SIZE	214092	SEE SHEET1	GENERAL	2140920000-SD	PSD	000	A
										SHEET NUMBER
										2 OF 2