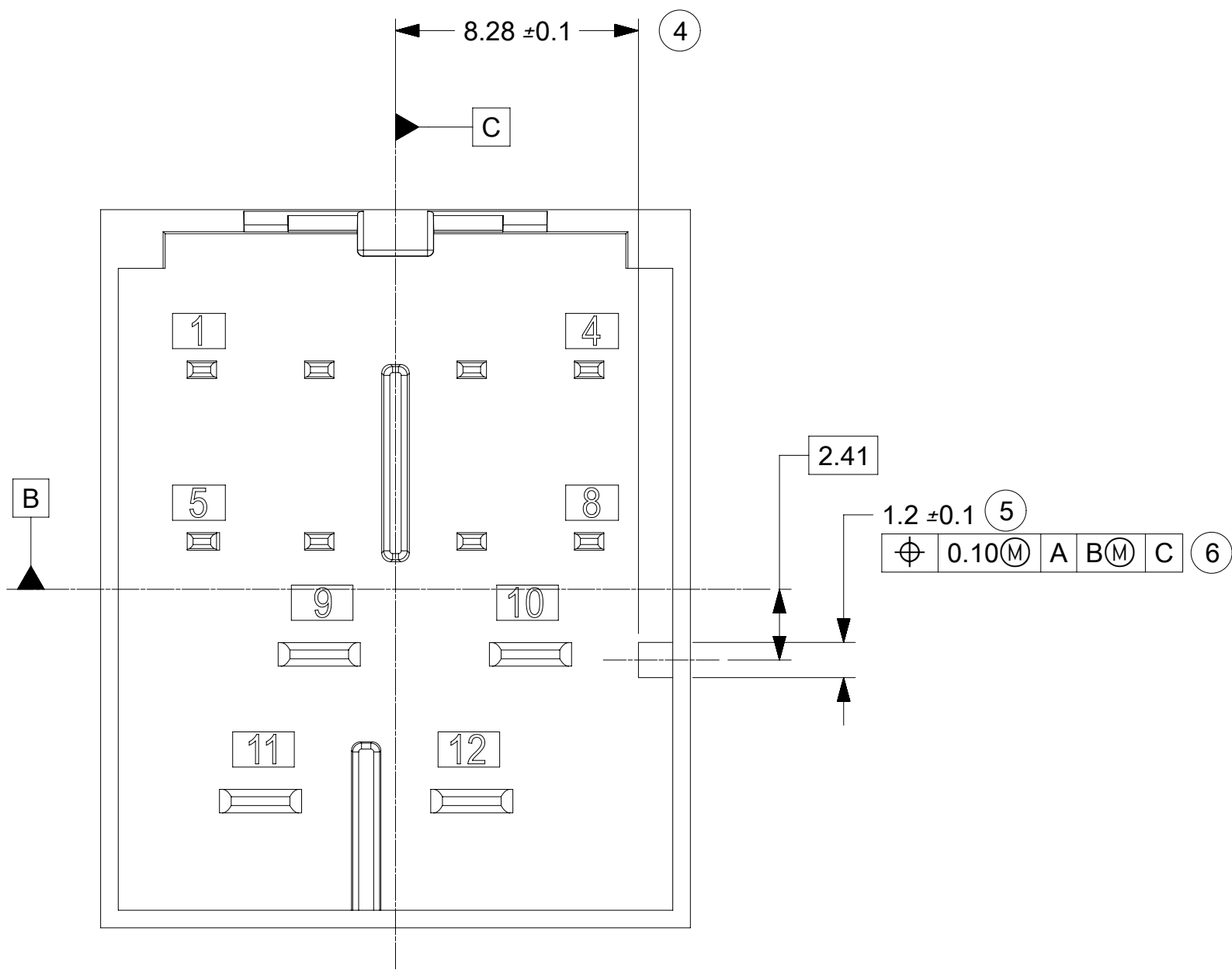


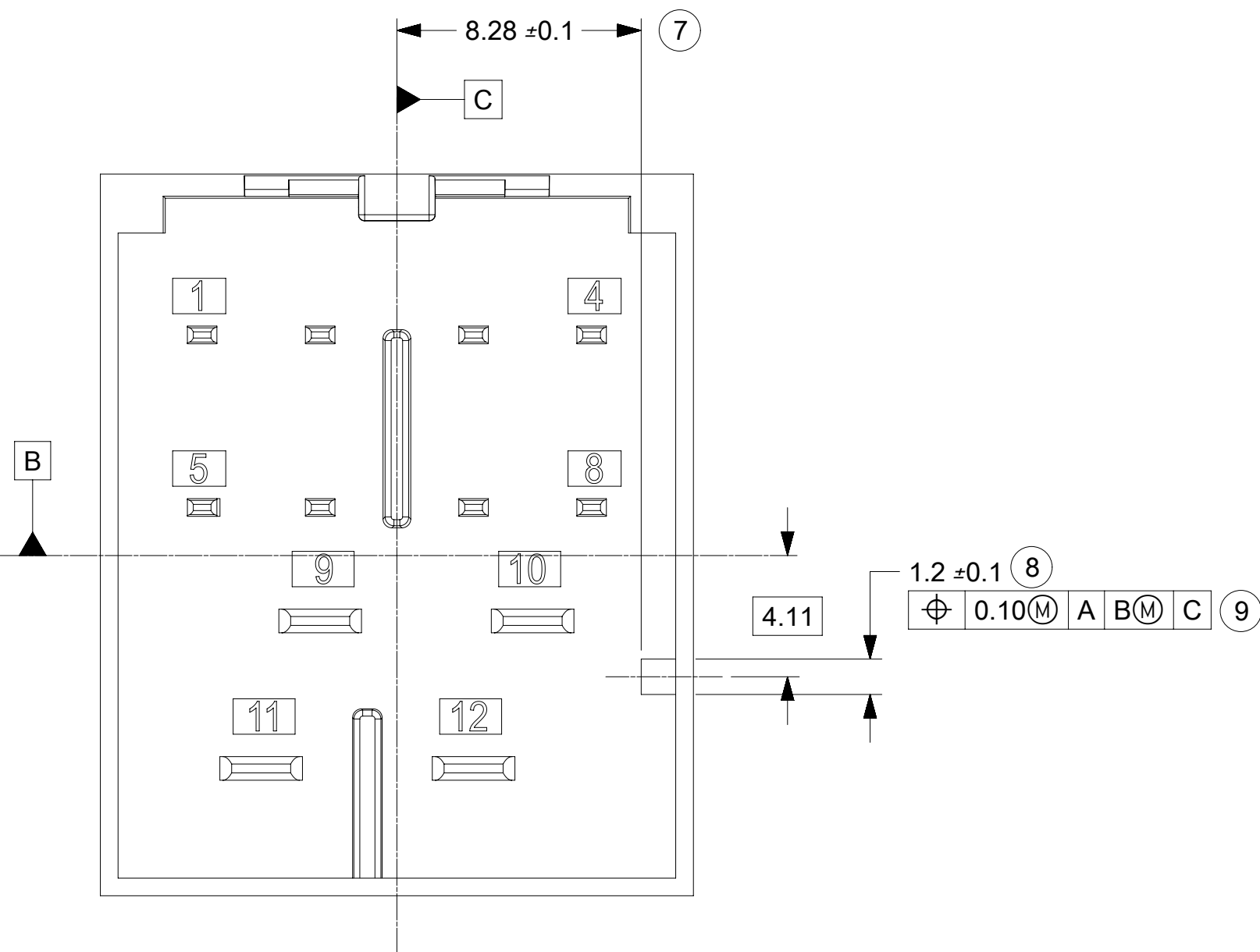
INTERFACE KEY #1
MATING CONNECTOR : BLACK



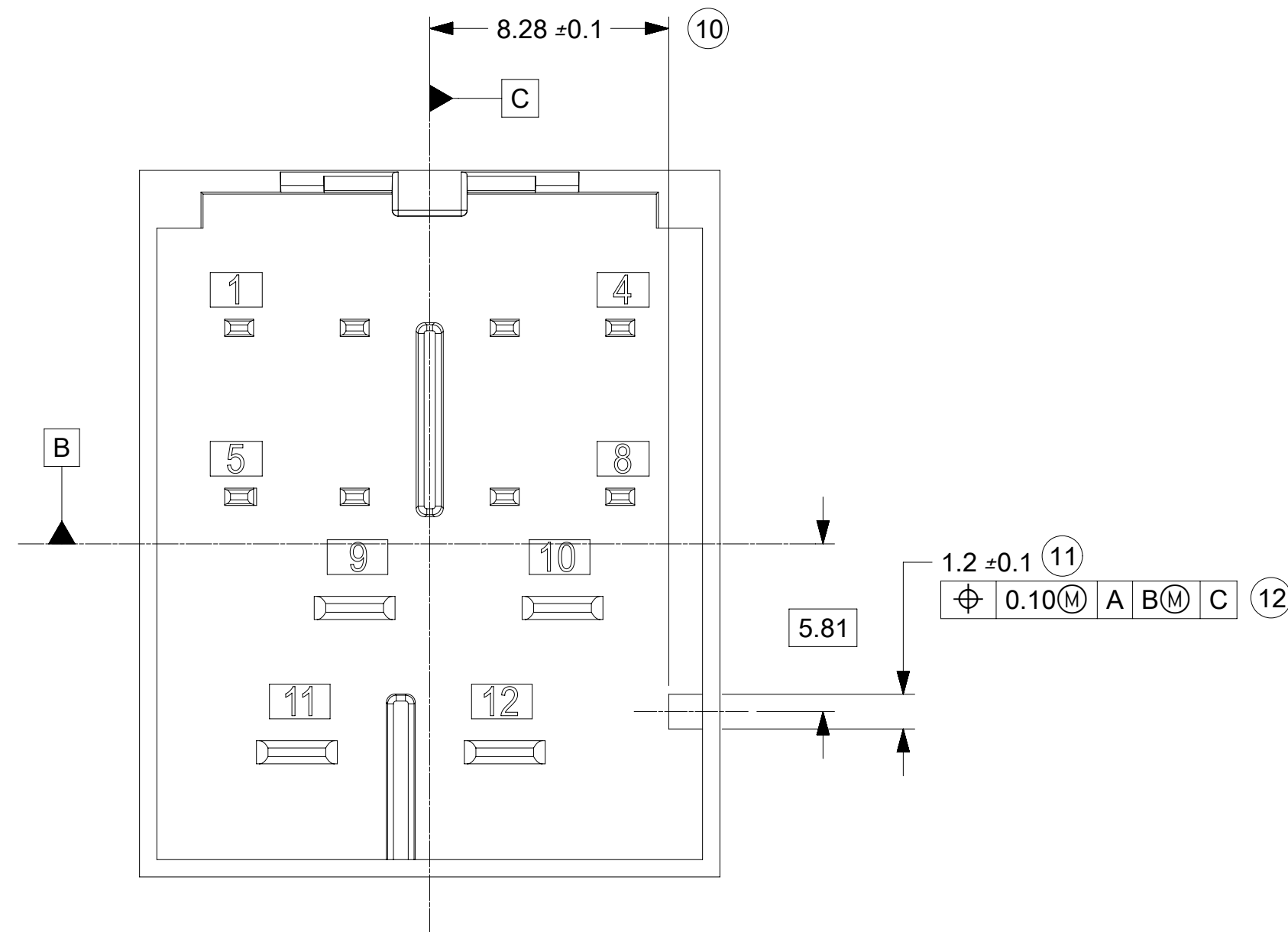
INTERFACE KEY #2
MATING CONNECTOR : LT GREEN B

NOTES: VALID UNLESS OTHERWISE SPECIFIED

1. DESIGN - MATERIALS:
 - a. RESIN MATERIAL : PBT+GF30 OR SPS+GF30 OR EQUIVALENT
 - b. PIN/BLADE MATERIAL : ACCORDING TO USCAR DRAWING EWCAP-001 NOTE B2
 - c. PLATING: ACCORDING TO USCAR DRAWING EWCAP-001 TIN REFLOW WITH UNDERPLATE
 - d. PIN TIPS ACCORDING TO USCAR DRAWING EWCAP-001 (120-T002 & 280-T001)
 - e. DEVIATION TO EWCAP-001 ACCEPTABLE IF PERFORMANCE (ELECTRICAL/MECHANICAL) IS SHOWN TO BE EQUAL OR BETTER AS REQUIRED BY VALIDATION TESTING.
 1. DEVIATION TO TIN PLATING THICKNESS AS NECESSARY TO MEET MATING FORCE AND ALL VALIDATION REQUIREMENTS
2. DRAWING - GEOMETRY:
 - a. ALL GRAPHIC DATA IS BASIC (NO TOLERANCE) AND MUST BE TAKEN FROM THE DATA FILE AT ITS LATEST REVISION.
 - b. GEOMETRIC DIMENSIONS AND TOLERANCES PER ASME Y14.5M-2009.
 - c. GENERAL TOLERANCES:
 - LINEAR : PER DIN 16901 LINEAR CODE B FOR PRECISION ENGINEERING
 - ANGULAR : ±3°
 - d. EDGES AND UNDIMENSIONED DETAILS PER ISO13715
 - e. CORNERS SHOW AS SHARP TO BE R 0.2 MAX.
 - f. LETTERS SHALL BE 0.15MAX RAISED IN 0.25 MAX RECESSED PAD.
THIS INCLUDES RECYCLING CODE, CAVITY ID, VENDOR IDENTIFICATION, AND CUSTOMER MATERIAL NUMBER.
(for small parts : LETTERING SHALL BE 0.10 MAX RAISED IN 0.15 MAX RECESS PAD)
3. DESIGN - MANUFACTURING:
 - a. DRAFT TO BE WITHIN TOLERANCE.



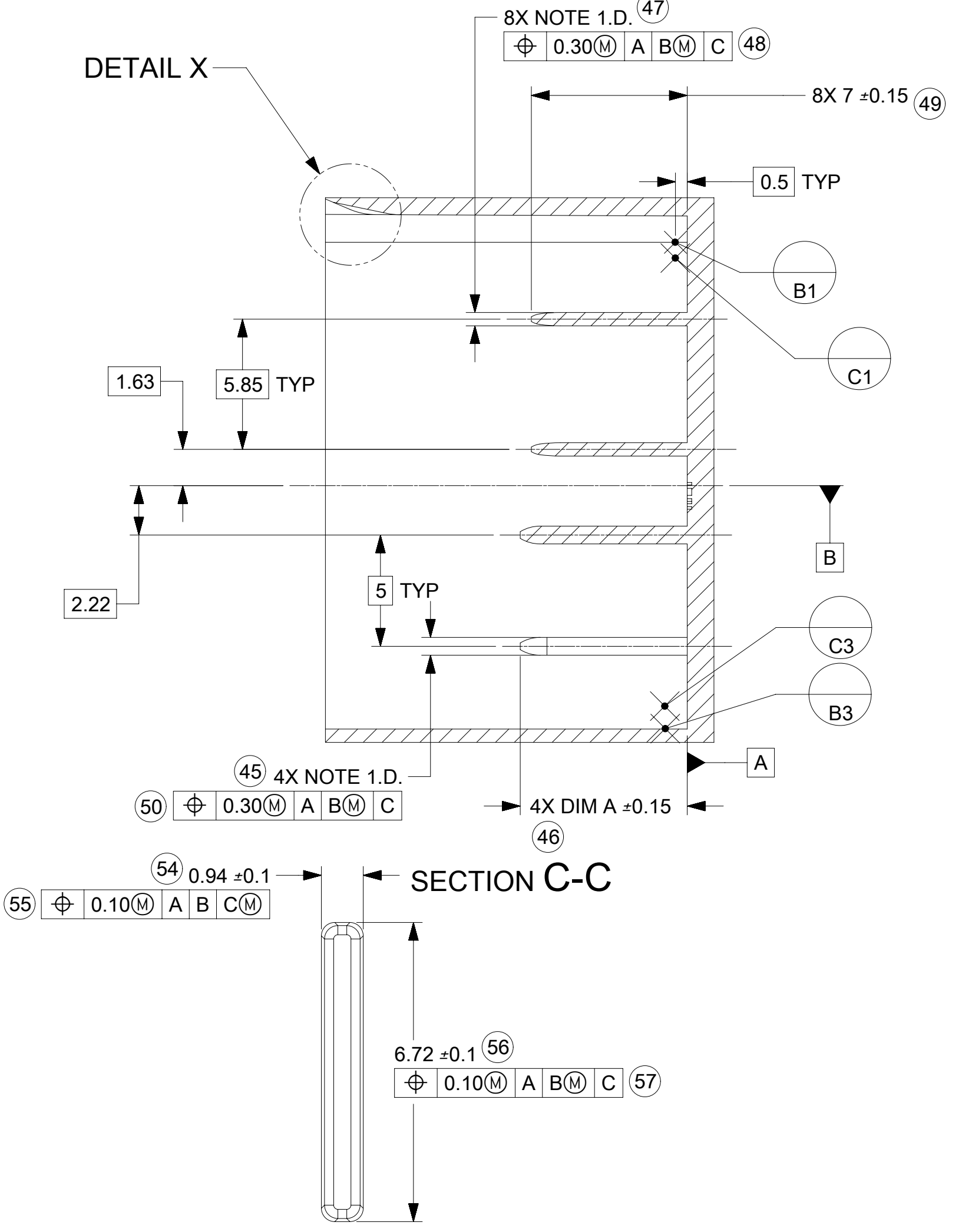
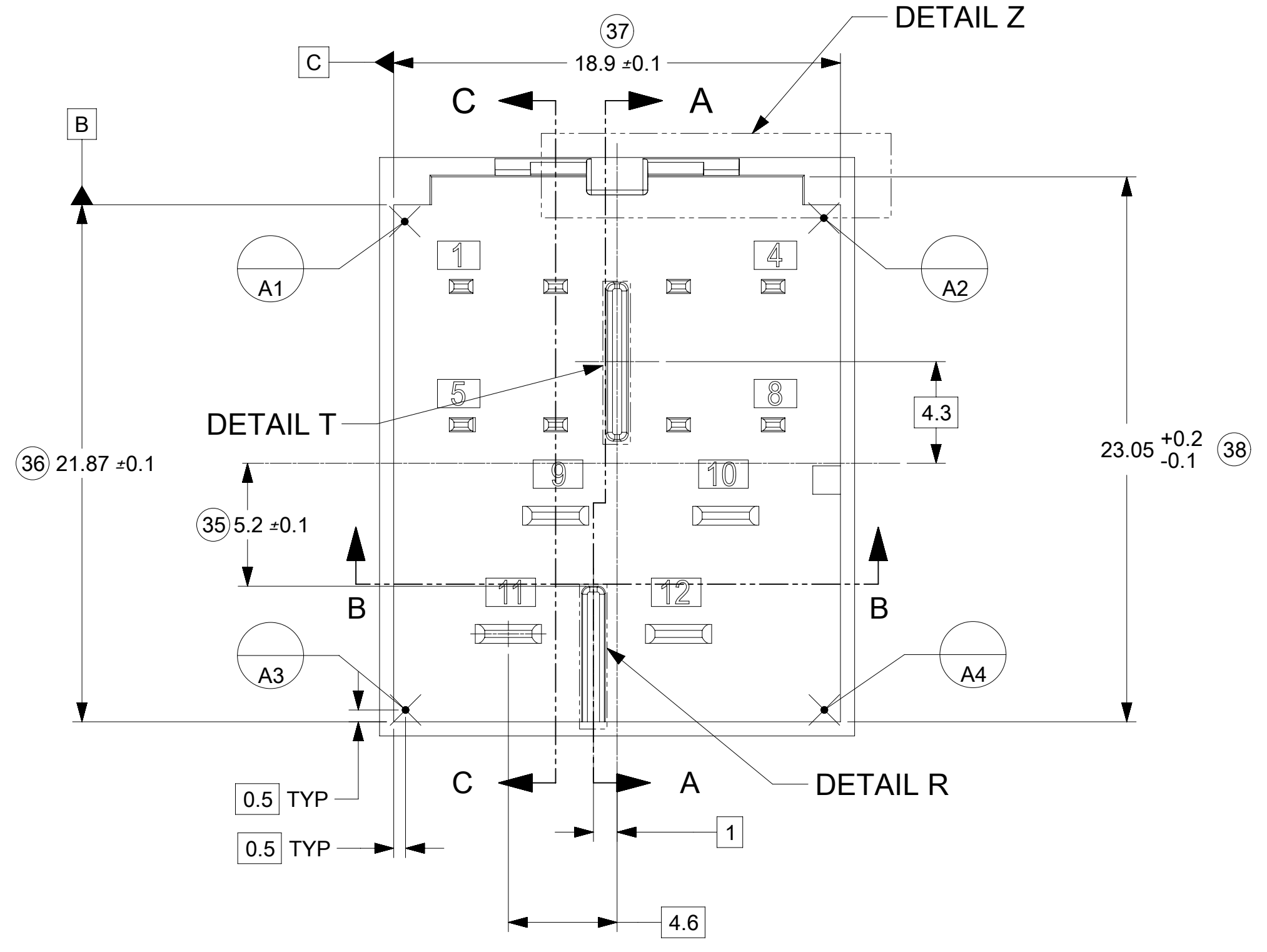
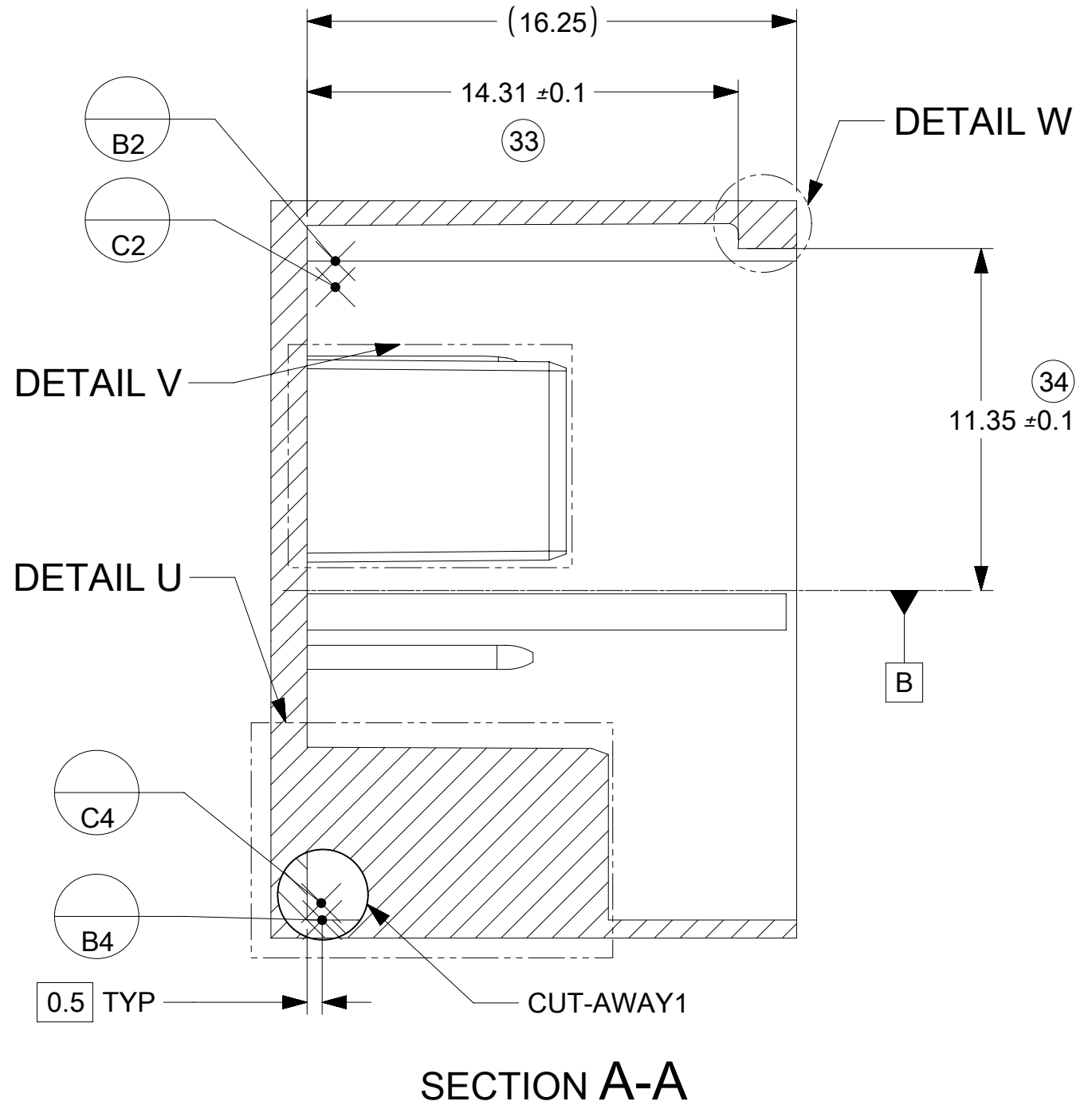
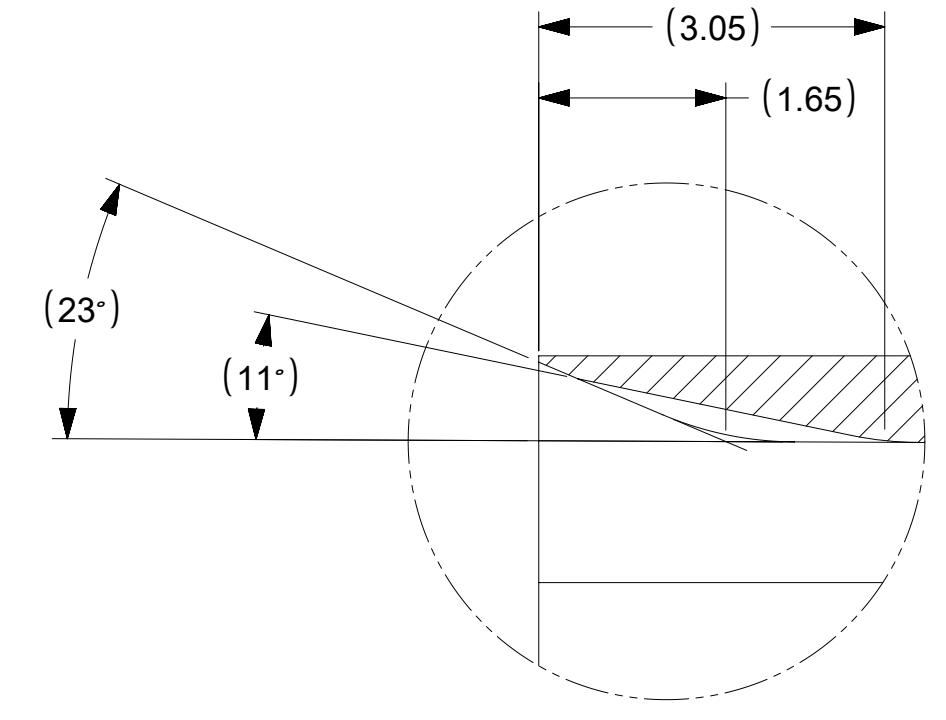
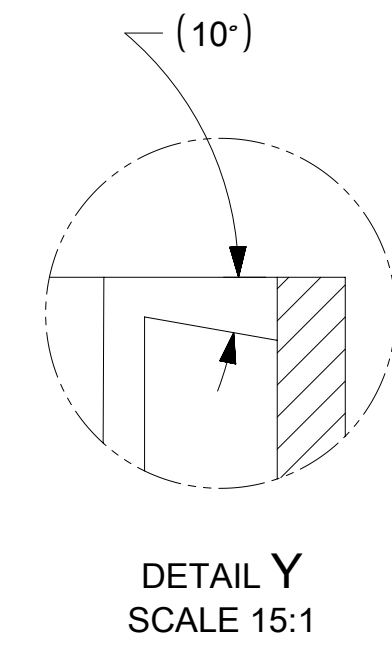
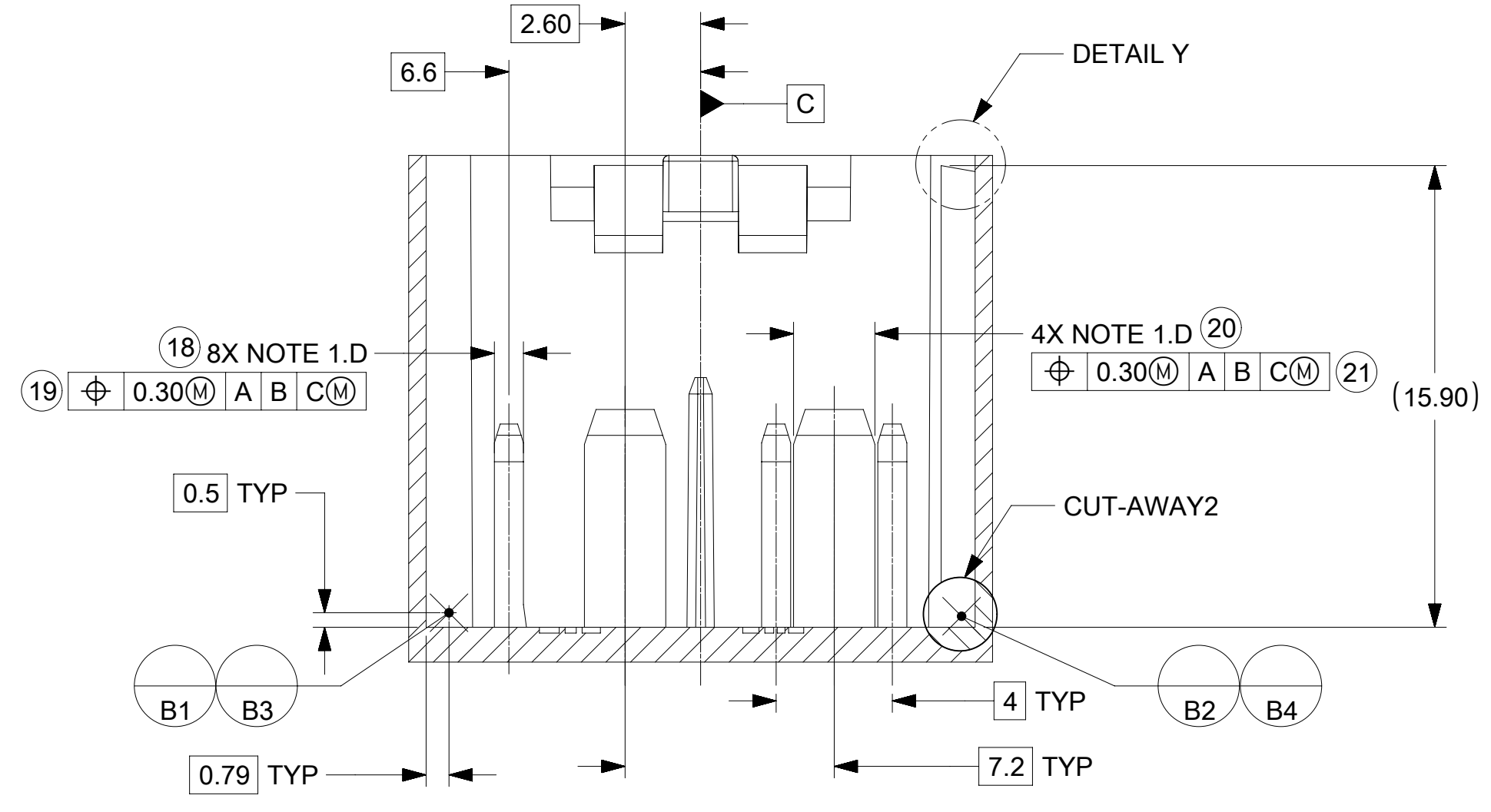
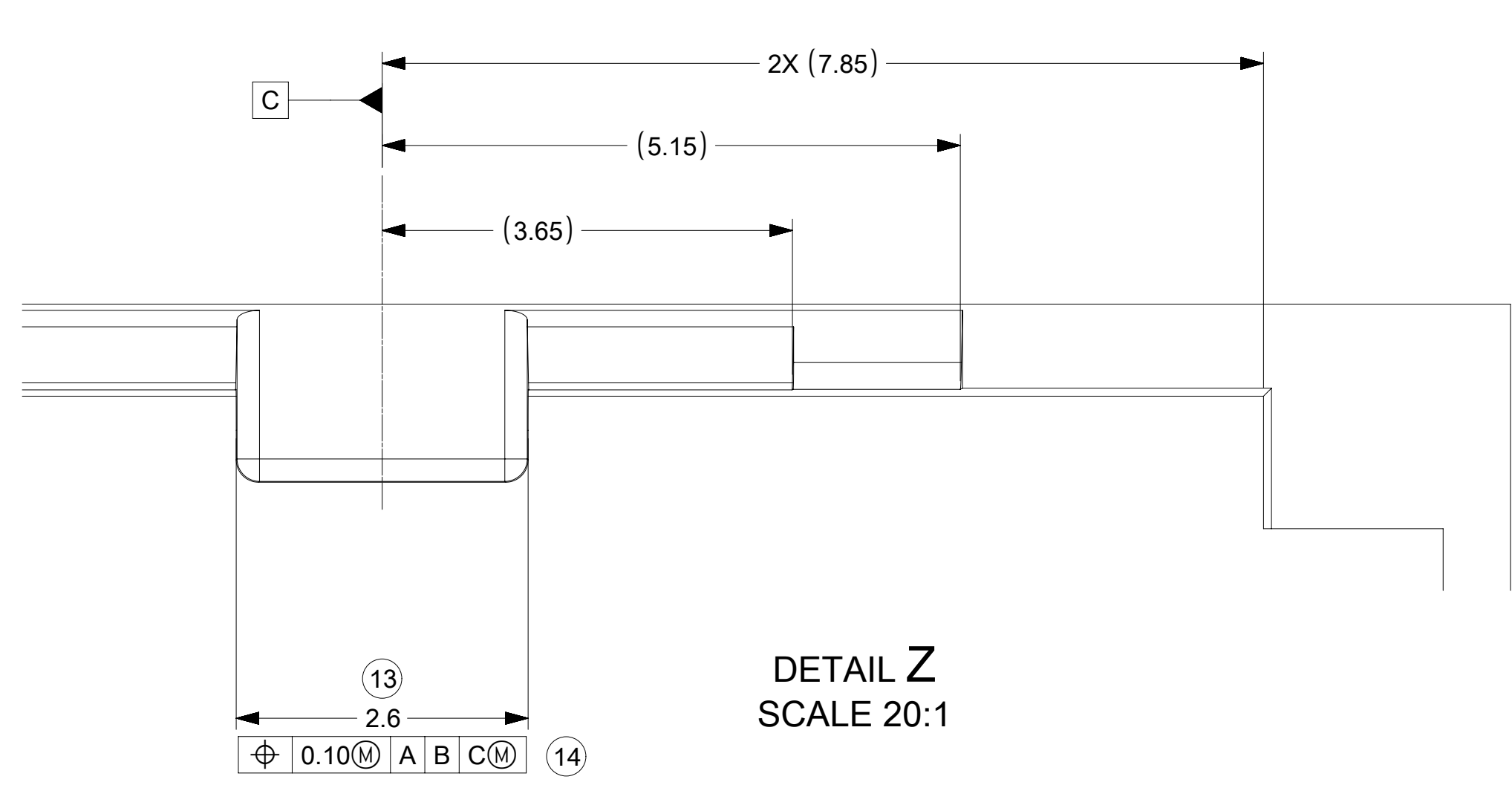
INTERFACE KEY #3
MATING CONNECTOR : LT PURPLE



INTERFACE KEY #4
MATING CONNECTOR : LT GRAY

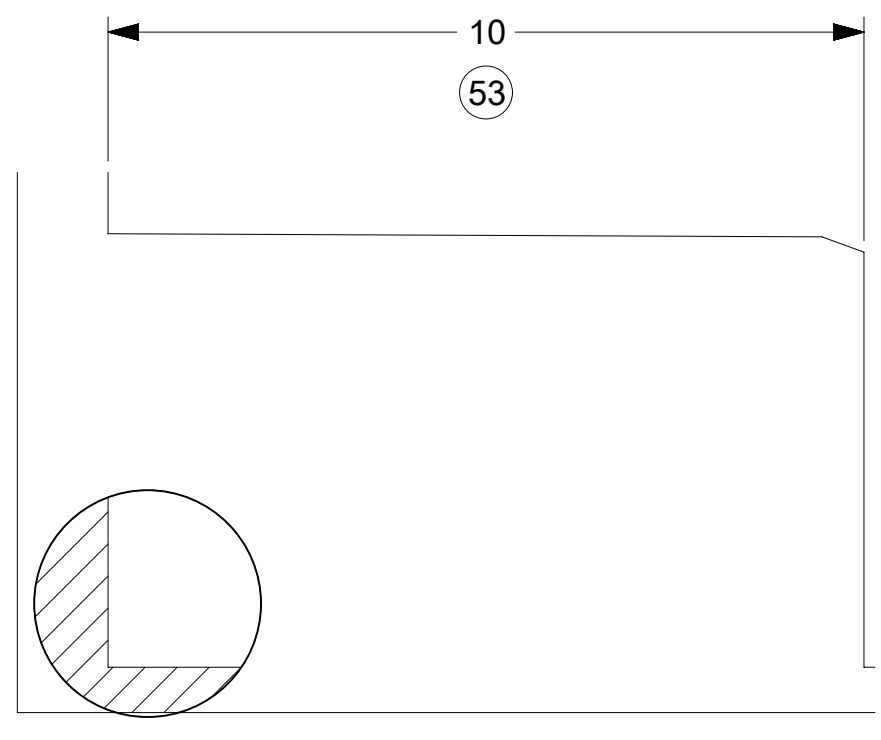
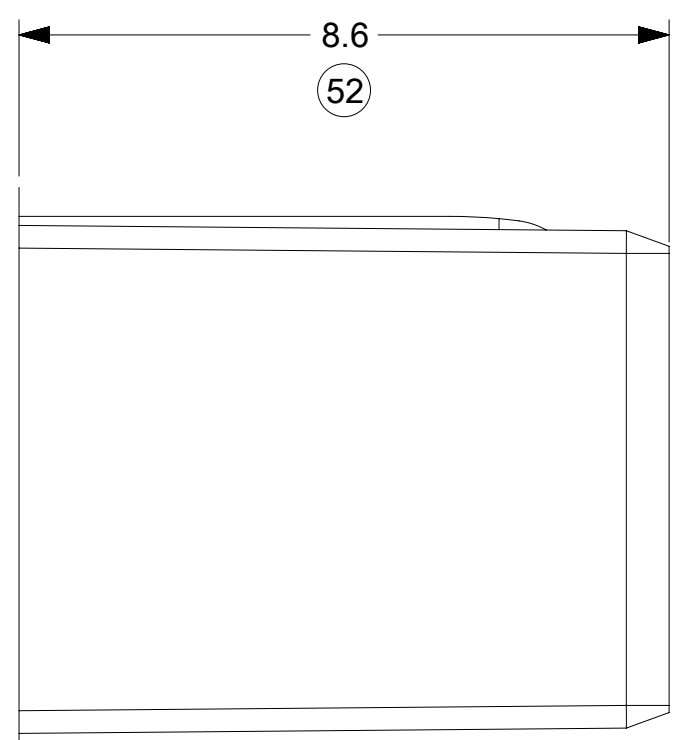
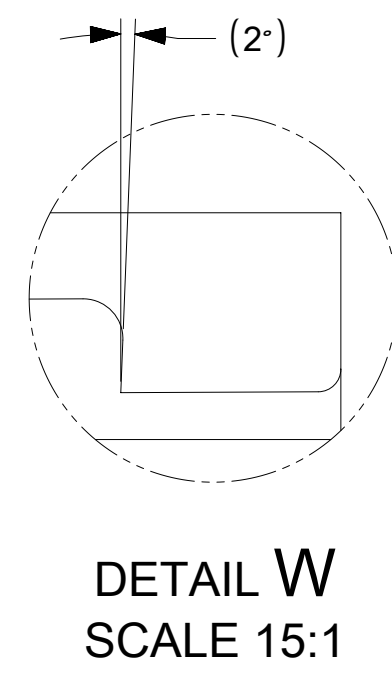
C	ADDED 2.8MM BLADE LENGTH VARIANT FOR MATE FORCE REQUIREMENT ADDED NOTE 1.e.1 CHANGE RECORD: 626144 JPATE 10/22/2019
B1	ADDED BALLOONS JCONDON 07/31/2018
B	REMOVED 0.2MM FROM CONNECTOR LOCK TAB FEATURE
A3	DRAWING CLEANUP
A2	ADDED CIRCUIT IDs
A1	ADDED NOTE 1e, MKOWALSKY 7/7/2017
7	GEOMETRY UPDATED, SPEMMARAJU 02/18/2016
6	UAU2015-1446 , SAP#10681629 , JCONDON 03/25/2015

SYMBOLS	THIS DRAWING CONTAINS INFORMATION THAT IS PROPRIETARY TO MOLEX ELECTRONIC TECHNOLOGIES, LLC AND SHOULD NOT BE USED WITHOUT WRITTEN PERMISSION	
	DIMENSION UNITS	SCALE
▽ = 0	mm	CURRENT REV DESC: ADDED 2.8MM BLADE LENGTH VARIANT FOR MATE FORCE REQUIREMENT ADDED NOTE 1.E.1
▽ = 0	GENERAL TOLERANCES (UNLESS SPECIFIED)	
▽ = 0	ANGULAR TOL ± °	EC NO: 626144
▽ = 0	4 PLACES ±	DRWN: JCONDON 2019/10/08
▽ = 0	3 PLACES ±	CHK'D: DLANGOLF 2019/10/22
▽ = 0	2 PLACES ±	APPR: JCONDON 2019/10/23
▽ = 0	1 PLACE ±	INITIAL REVISION:
▽ = 0	0 PLACES ±	DRWN: SPEMMARAJU 2015/10/27
▽ = 0	DRAFT WHERE APPLICABLE MUST REMAIN WITHIN DIMENSIONS	APPR: KDEKOSKI 2016/03/24
▽ = 0	THIRD ANGLE PROJECTION	DRAWING SERIES
▽ = 0	D-DRAWING	D-SIZE 160026
DOCUMENT NUMBER		DOC TYPE DOC PART REVISION
SD-160026-002		PSD 000 C
MATERIAL NUMBER CUSTOMER		SHEET NUMBER
GENERAL MARKET		1 OF 3



CONSTRUCTION	DIM. A (mm)	STATUS
OPTION A	7.5	REVISION B
OPTION B	6.5	REVISION C

*OPTION B IS THE PREFERRED CONSTRUCTION FOR ALL NEW HEADERS

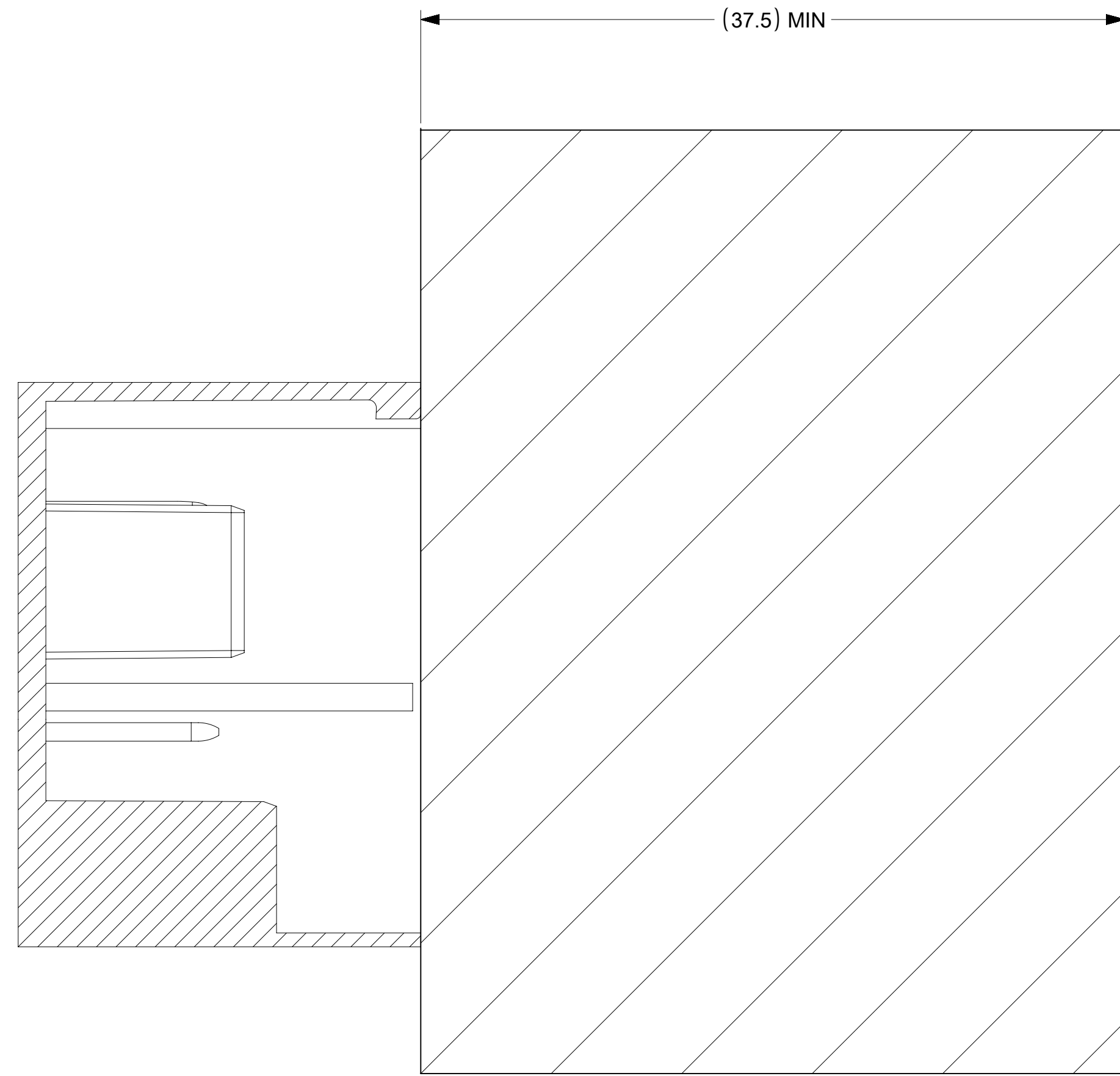


DETAIL T SCALE 10:1

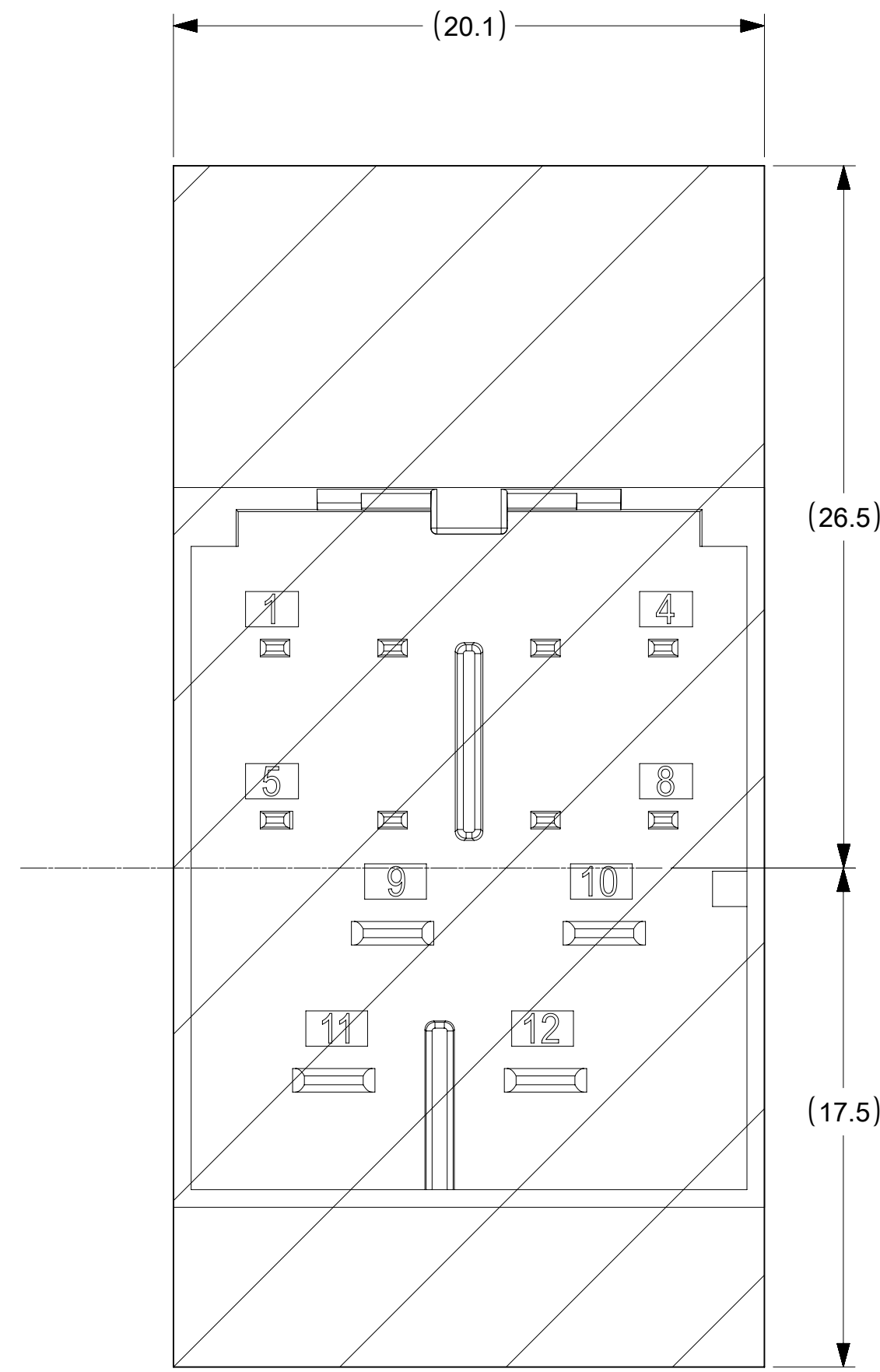
DETAIL R SCALE 10:1

SYMBOLS	DIMENSION UNITS	SCALE	THIS DRAWING CONTAINS INFORMATION THAT IS PROPRIETARY TO MOLEX ELECTRONIC TECHNOLOGIES, LLC AND SHOULD NOT BE USED WITHOUT WRITTEN PERMISSION		
▽ = 0	mm		CURRENT REV DESC: ADDED 2.8MM BLADE LENGTH VARIANT FOR MATE FORCE REQUIREMENT ADDED NOTE 1.E.1		
▽ = 0	GENERAL TOLERANCES (UNLESS SPECIFIED)		EC NO: 626144		
▽ = 0	ANGULAR TOL ±		DRWN: JCONDON	2019/10/08	molex 12WAY STAK50H INTERFACE DRAWING PRODUCT CUSTOMER DRAWING
▽ = 0	4 PLACES ±		CHK'D: DLANGOLF	2019/10/22	
▽ = 0	3 PLACES ±		APPR: JCONDON	2019/10/23	
▽ = 0	2 PLACES ±		INITIAL REVISION:		
▽ = 0	1 PLACE ±		DRWN: SPEMMARAJU	2015/10/27	DOCUMENT NUMBER: SD-160026-002 DOC TYPE: PSD DOC PART: 000 REVISION: C
▽ = 0	0 PLACES ±		APPR: KDEKOSKI	2016/03/24	
■ = 0	DRAFT WHERE APPLICABLE MUST REMAIN WITHIN DIMENSIONS		THIRD ANGLE PROJECTION	DRAWING	SERIES
▽ = 0				D-SIZE	160026
			MATERIAL NUMBER	CUSTOMER	SHEET NUMBER
				GENERAL MARKET	2 OF 3

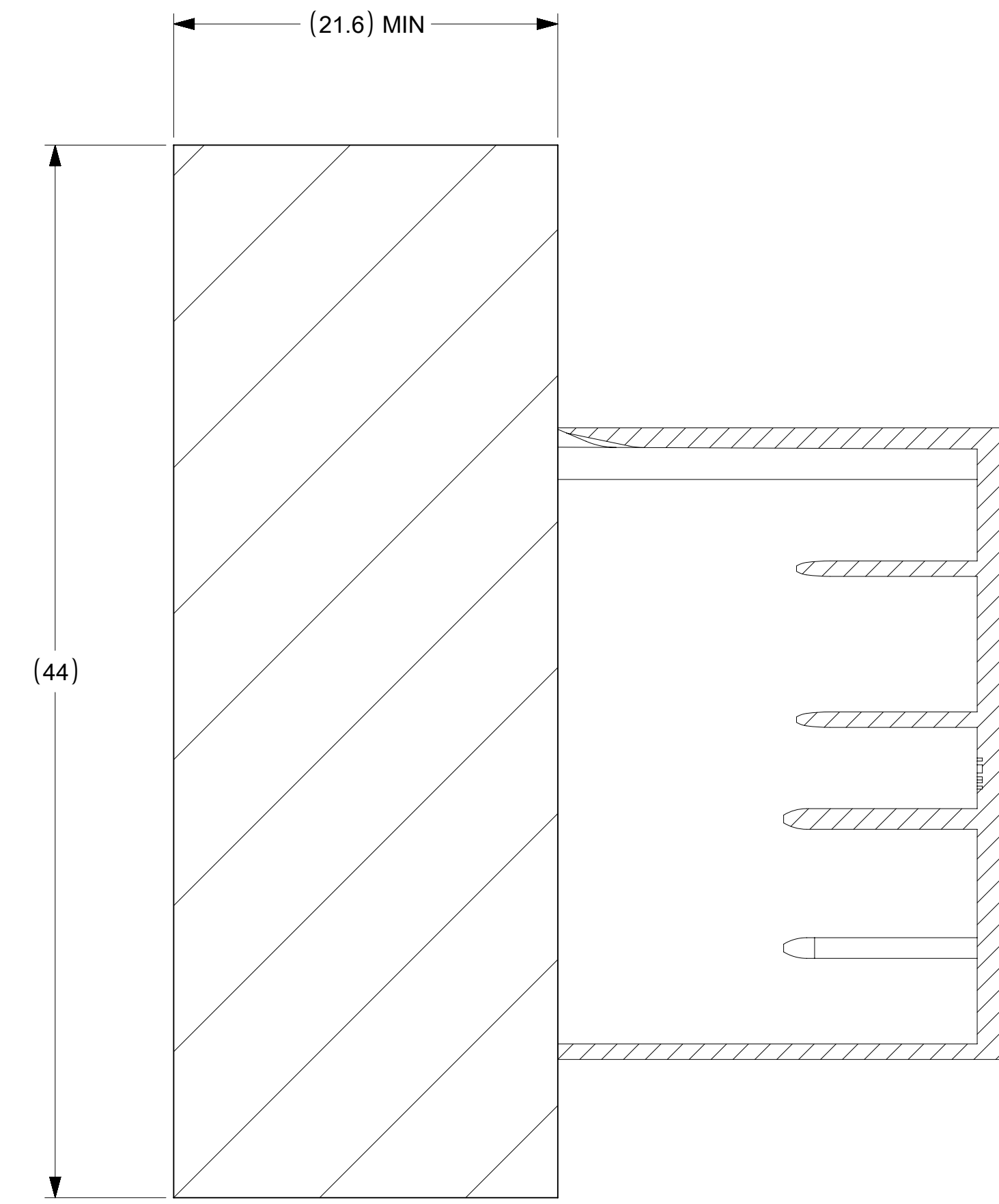
PACKAGE SPACE
FOR UNMATED
CONNECTOR



PACKAGE SPACE
FOR CONNECTOR



PACKAGE SPACE
FOR MATED
CONNECTOR
WITH COVER



SYMBOLS	THIS DRAWING CONTAINS INFORMATION THAT IS PROPRIETARY TO MOLEX ELECTRONIC TECHNOLOGIES, LLC AND SHOULD NOT BE USED WITHOUT WRITTEN PERMISSION		
	DIMENSION UNITS	SCALE	CURRENT REV DESC: ADDED 2.8MM BLADE LENGTH VARIANT FOR MATE FORCE REQUIREMENT ADDED NOTE 1.E.1
▽ = 0	mm		molex
▽ = 0	GENERAL TOLERANCES (UNLESS SPECIFIED)		
▽ = 0	ANGULAR TOL ±		12WAY STAK50H INTERFACE DRAWING
▽ = 0	4 PLACES		PRODUCT CUSTOMER DRAWING
▽ = 0	3 PLACES		DOCUMENT NUMBER
▽ = 0	2 PLACES		DOC TYPE
▽ = 0	1 PLACE		DOC PART
▽ = 0	0 PLACES		REVISION
⊠ = 0	DRAFT WHERE APPLICABLE MUST REMAIN WITHIN DIMENSIONS	THIRD ANGLE PROJECTION	DRIVING
▽ = 0			SERIES
			MATERIAL NUMBER
			CUSTOMER
			SHEET NUMBER

EC NO: 626144
 DRWN: JCONDON 2019/10/08
 CHK'D: DLANGOLF 2019/10/22
 APPR: JCONDON 2019/10/23

INITIAL REVISION:
 DRWN: SPEMMARAJU 2015/10/27
 APPR: KDEKOSKI 2016/03/24

D-SIZE 160026

SD-160026-002		PSD	000	C
GENERAL MARKET		3 OF 3		