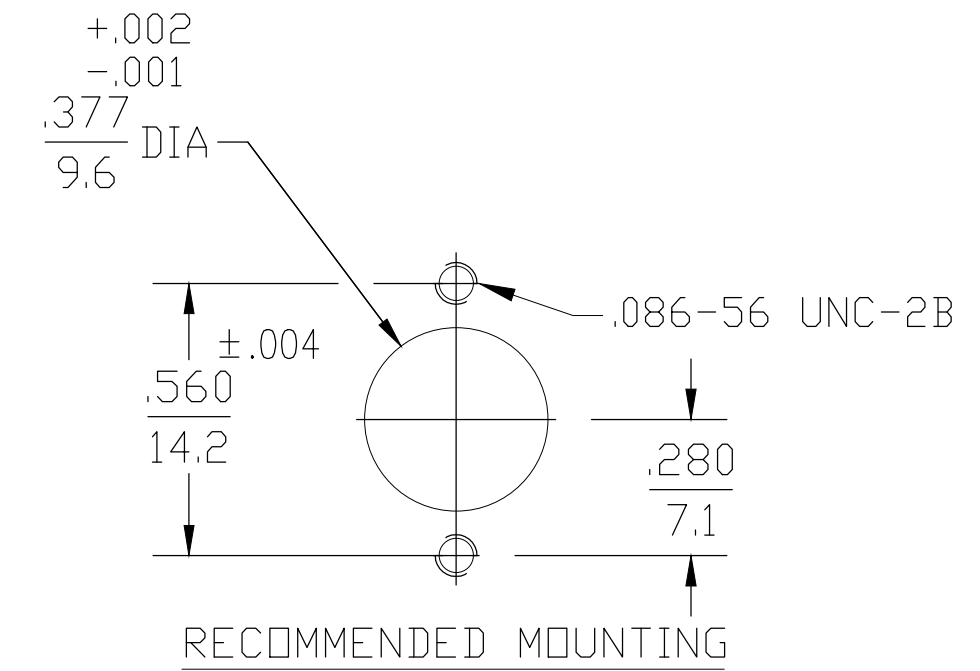
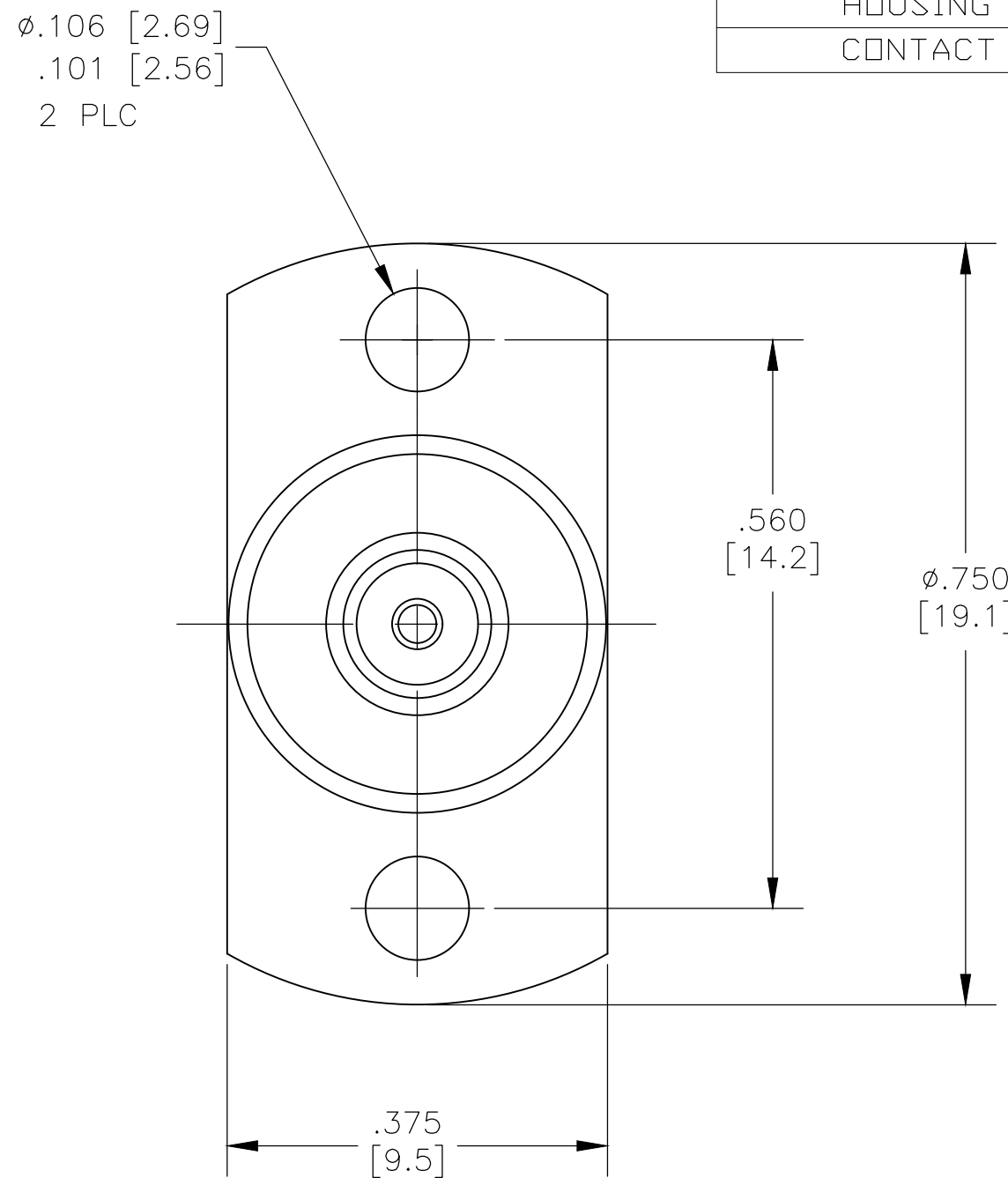
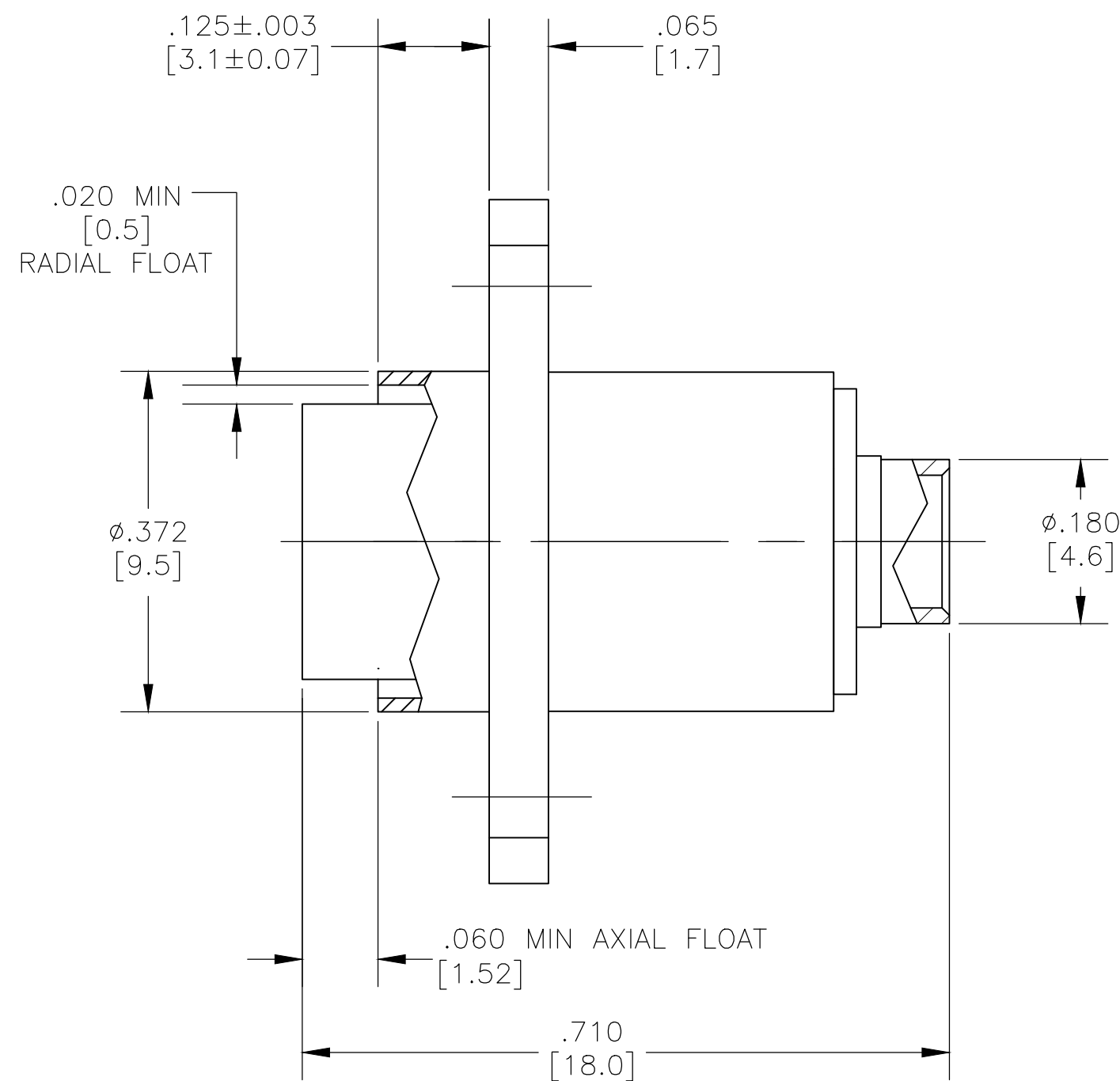


THIS DRAWING IS UNPUBLISHED. RELEASED FOR PUBLICATION
 © COPYRIGHT - TE Connectivity ALL RIGHTS RESERVED.

DESIGNED FOR USE WITH
 .141 DIA SEMI-RIGID CABLE
 CABLE ENTRY DIAMETER
 MINIMUM

HOUSING	.145 [3.68]
CONTACT	.037 [0.94]

REVISIONS				
P	LTR	DESCRIPTION	DATE	APVD
B		REV PER ECO 18-010810	31DEC08	CT PR



1. CAPTURED CENTER CONTACT

ELECTRICAL	MECHANICAL	ENVIRONMENTAL
Nominal Impedance (Ohms) 50	Interface Dimensions MIL-STD-348A, FIG 321-2	TEMPERATURE RATING -65° TO +125°C
Frequency Range (GHz) DC to 18	Mating Characteristics:	Vibration MIL-STD-202, Method 204, Condition D
Volt Rating (VRMS MAX) @ Sea Level 335	Insertion (MAX Lbs) 3	Shock MIL-STD-202, Method 213, Condition I
VSWR 1.05+.005f(GHz) DC to 18 GHz	Withdrawal (MIN Oz) 1	Thermal Shock MIL-STD-202, Method 107, Condition B
Insertion Loss (dB MAX) .03x√f(GHz)	Force to Engage (In-Lbs MAX) 3 & Disengage (In-Lbs MAX) 1.5	Moisture Resistance MIL-STD-202, Method 106
RF Leakage (dB MIN) (Interface Only, Fully Mated) -(90-f(GHz))	Center Contact Captivation:	Corrosion - MIL-STD-202, Method 101, Condition B, 5% Salt Spray
Corona, 70,000 Ft (VRMS MIN) 335	Axial (Lbs) 6	
Dielectric Withstanding Voltage (VRMS MIN) @ Sea Level 1000	Cable Retention:	
Contact Resistance (Milliohms MAX):	Axial Force (Lbs MIN) 30	
Center Contact 2.0	Torque (In-Oz MIN) 16	
Outer Contact 2.0	Weight (Grams) 5.4	
Cable to Housing 0.5		
RF High Potential @ Sea Level (VRMS MIN @ 5 MHz) 670		
I.R.(Megohms MIN) 5000		

COMPONENT	MATERIAL	FINISH
INNER HOUSING BUSHING	STAINLESS STEEL PER ASTM-A484 AND ASTM-A582, TYPE 303	GOLD PLATE PER MIL-G-45204 OVER NICKEL PLATE PER QQ-N-290
OUTER HOUSING SPRING WASHER	STAINLESS STEEL PER ASTM-A484 AND ASTM-A582, TYPE 303	PASSIVATE PER ASTM-A380
DIELECTRIC	TFE FLUOROCARBON PER ASTM-D-1457	N/A
CENTER CONTACT CONTACT SLEEVE	BERYLLIUM COPPER PER ASTM B 196, ALLOY C17300, CONDITION H	GOLD PLATE PER MIL-G-45204 OVER COPPER PLATE PER MIL-C-14550
CONTACT RING RETAINING RING SPRING WASHER	BERYLLIUM COPPER PER ASTM B 194, ALLOY C17200, CONDITION H	GOLD PLATE PER MIL-G-45204 OVER COPPER PLATE PER MIL-C-14550
COMP. SPRING	STAINLESS STEEL	PASSIVATE PER QQ-P-35

THIS DRAWING IS A CONTROLLED DOCUMENT.

DWN P. YEAGER 30DEC08	TE Connectivity NAME OSP FLOATING FLANGE MOUNT CABLE JACK, DIRECT SOLDER ATTACHMENT					
CHK W. MOYER 30DEC08						
APVD W. MOYER 30DEC08						
PRODUCT SPEC						
MATERIAL SEE TABLE	FINISH SEE TABLE	WEIGHT 0.000000	SIZE A2	CAGE CODE 00779	DRAWING NO C=1059424	RESTRICTED TO -
CUSTOMER DRAWING		SCALE 6:1	SHEET 1 of 1	REV B		