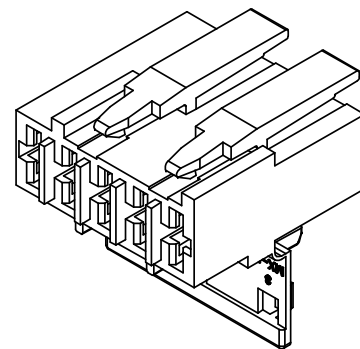
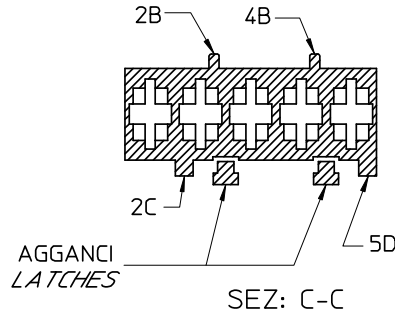


Dettaglio1
SCALA 5:1

CONFIGURAZIONE POLARIZZAZIONI
POLARIZATION CONFIGURATION



NOTE:

- USATO CON TERMINALE 94518-0XXX E 94549-0XXX
- SPECIFICA DI RIFERIMENTO PER IL CONNETTORE PS-94550-001
- PER CARATTERISTICHE DI CRIMPATURA RIF. SD-94518-005 E SD-94549-001
- FORZA DI DISACCOPIAMENTO CONNETTORE (TRAZIONANDO DAI CAVI SENZA AZIONARE L'AGGANCI): 60 N MIN.
- SPESSORE MIN. PARETI CONNETTORE 0.40 mm.

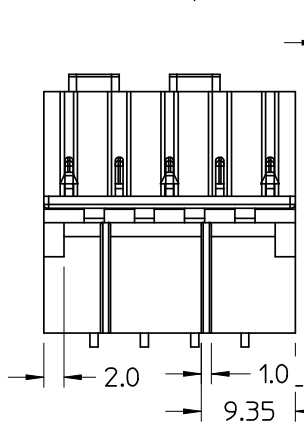
NOTE:

- USED WITH TERMINALS 94518-0XXX AND 94549-0XXX
- REFER TO PS-94550-001 FOR CONNECTOR SPECIFICATION
- REFER TO SD-94518-005 AND SD-94549-001 FOR CRIMPING CHARACTERISTICS
- CONNECTOR DISENGAGEMENT FORCE (PULLING BY THE WIRES, WITHOUT ACTUATING THE LATCH): 60 N MIN.
- MINIMUM CONNECTOR WALL THICKNESS 0.40 mm.

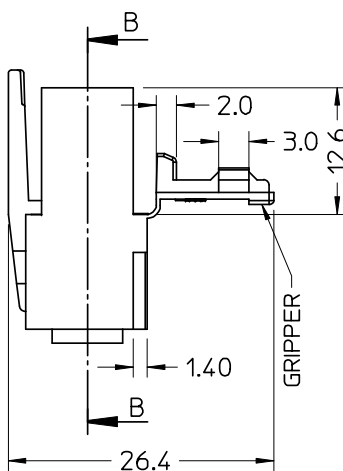
MATERIALE: NYLON 6.6 V0 colore naturale
MATERIAL: NYLON 6.6 V0 natural

CONFEZIONE: Box da 1300 Pz.

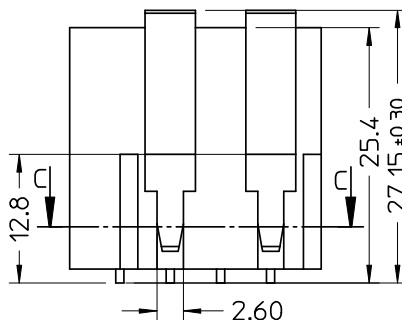
PACKAGING: 1300 pcs in carton box



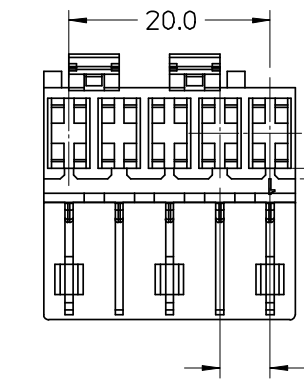
SEZ: B-B



GRIPPER



AGENCY
RECOGNIZATIONS
CSA (file LR19980)
UL (file E-29179)



SPQ =1300

Std. Descr: "HSG W/SEC LOCK AND EXT LATCHES 5 CKT _____ COLOR"

EC NO: Z2006-0060 DRWN: FGOTTARD 2005/10/19 CHKD: RSANDANO 2005/10/19 APPR: GZUIN 2005/10/21	QUALITY SYMBOLS ▽ = 0 ▽ = 0	GENERAL TOLERANCES (UNLESS SPECIFIED)		SCALE 2:1	DESIGN UNITS METRIC	FIRST ANGLE PROJECTION	REVISE ON CAD ONLY	
		4 PLACES ± --- ± ---	3 PLACES ± --- ± ---	DIMENSION STYLE MM ONLY		TITLE HSG 5 CKT WITH SEC. LOCK AND EXTERNAL LATCH		
		2 PLACES ± 0.10 ± ---	1 PLACE ± 0.2 ± ---	DRAWN BY FGOTTARD	DATE 2005/07/29	MOLEX INCORPORATED		
		ANGULAR ± 2 °		CHECKED BY RSANDANO	DATE 2005/07/29	MATERIAL NO. 94550-9105	DOCUMENT NO. SD-94550-025	SHEET NO. 1 OF 1
DRAFT WHERE APPLICABLE	MUST REMAIN WITHIN DIMENSIONS	THIS DRAWING CONTAINS INFORMATION THAT IS PROPRIETARY TO MOLEX INCORPORATED AND SHOULD NOT BE USED WITHOUT WRITTEN PERMISSION		A3				