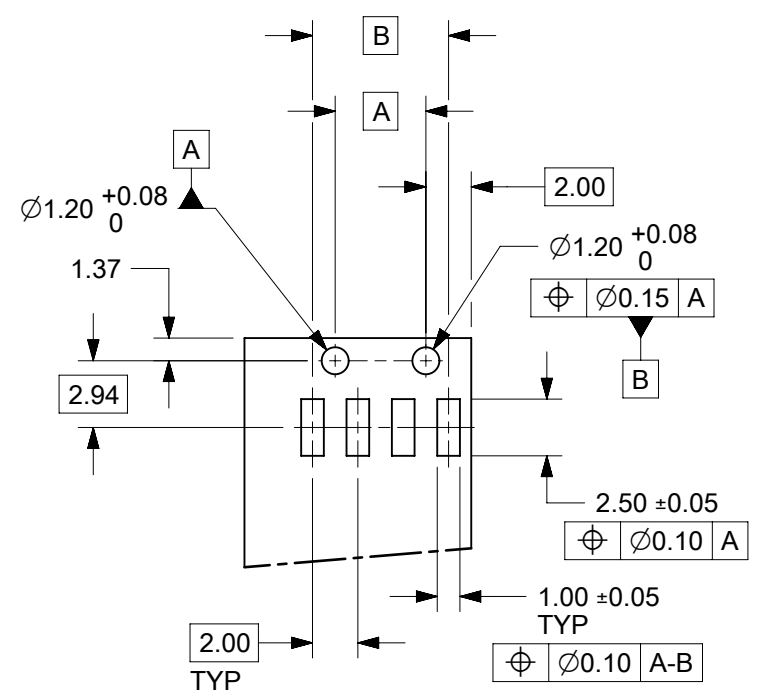
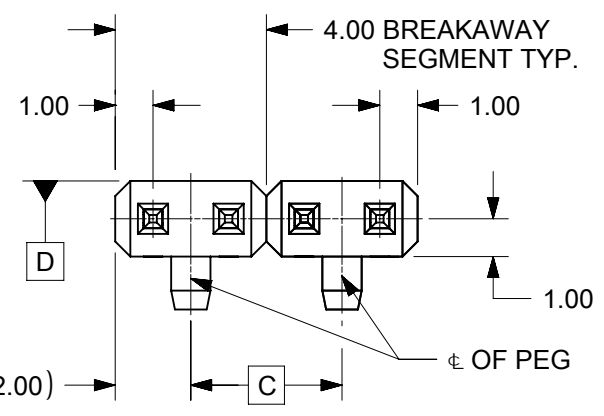
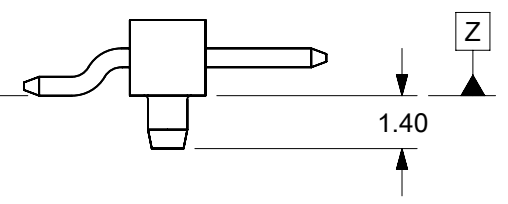
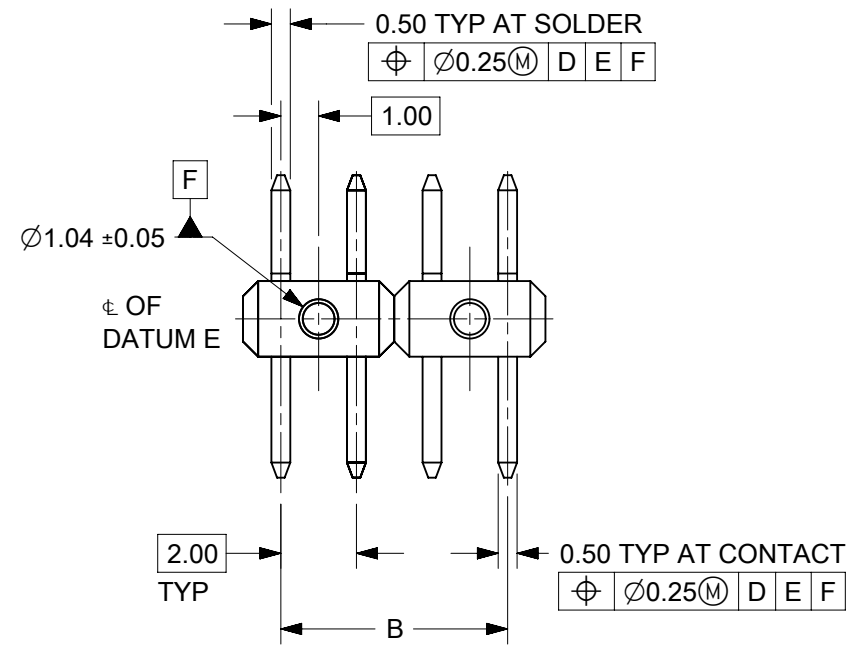


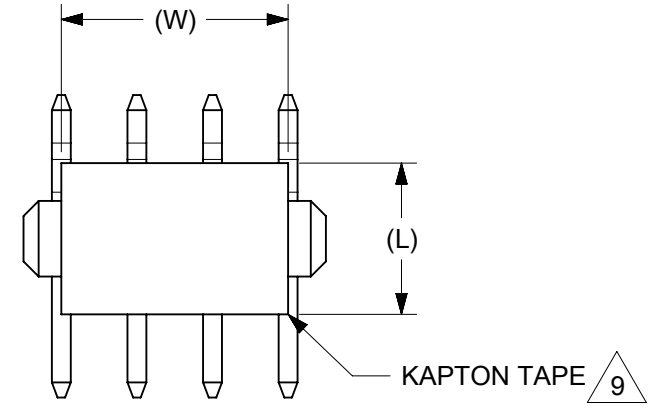
8	CKT SIZE	
0.10 Z	02-10	
0.15 Z	12-20	



RECOMMENDED PCB LAYOUT



- NOTES:
- MATERIAL:  
HSG: LCP, GLASS-FILLED, UL94V-0, COLOR:BLACK  
PIN: 0.50mm SQ, COPPER ALLOY
  - PLATING:  
(1) 2.540 $\mu$ m TIN OVERALL PLATING OVER NICKEL OVERALL  
(2) 5.080 $\mu$ m TIN OVERALL PLATING OVER NICKEL OVERALL
  - PACKAGING TYPE: SEE TABLE
  - PACKAGING SPECIFICATION:  
TRAY: PK-89990-544  
TAPE & REEL: PK-89990-484
  - PRODUCT SPEC PS-87761-100 APPLIES
  - IRREGULAR CIRCUIT CUTOFF WITHIN BREAKAWAY SECTION IS PERMISSIBLE. MEASUREMENT AT BOTH ENDS, FROM CUT END TO THE CENTRELINE OF THE HOUSING CORE HOLE OF THE FIRST PIN REMAINS AT 1.00 $\pm$ 0.20MM. CUTTING AND CHIPPING OF THE MAIN BODY IS NOT ACCEPTABLE.
  - THE ABOVE CKT 4 IS FOR ILLUSTRATION PURPOSE ONLY
  - COPLANARITY IS TO BE MEASURED BY RESTING THE SOLDER TAIL ON A GAUGE SURFACE
  - KAPTON TAPE LOCATION IS CENTERED ALONG THE PART AS SHOWN.
  - RECOMMENDED PCB BOARD THICKNESS: 1.60 $\pm$ 0.10mm




THIS DRAWING CONTAINS INFORMATION THAT IS PROPRIETARY TO MOLEX ELECTRONIC TECHNOLOGIES, LLC AND SHOULD NOT BE USED WITHOUT WRITTEN PERMISSION		CURRENT REV DESC: BRIGHT TIN PHASE OUT		<b>molex</b>	
DIMENSION UNITS	SCALE				
mm	NTS			PRODUCT CUSTOMER DRAWING	
GENERAL TOLERANCES (UNLESS SPECIFIED)				DOCUMENT NUMBER	
ANGULAR TOL $\pm$ 3.0°				SD-87858-001	
4 PLACES	$\pm$	EC NO: 679909	2021/06/25	DOC TYPE	DOC PART
3 PLACES	$\pm$	DRWN: AKUMAR19	2021/10/11	PSD	001
2 PLACES	$\pm$	CHK'D: MRAMAKRISHNA	2021/10/11	REVISION	
1 PLACE	$\pm$	APPR: MRAMAKRISHNA	2021/10/11	C6	
0 PLACES	$\pm$	INITIAL REVISION:		MATERIAL NUMBER	
		DRWN: KSEE		87858	
		APPR: PTLIM		CUSTOMER	
DRAFT WHERE APPLICABLE MUST REMAIN WITHIN DIMENSIONS		THIRD ANGLE PROJECTION	DRAWING	SERIES	SHEET NUMBER
			A3-SIZE	87858	1 OF 3

CKT SIZE	DIMENSION		
	A	B	C
02	4.00	2.00	-
04	8.00	6.00	4.00
06	12.00	10.00	8.00
08	16.00	14.00	12.00
10	20.00	18.00	16.00
12	24.00	22.00	20.00
14	28.00	26.00	24.00
16	32.00	30.00	28.00
18	36.00	34.00	32.00
20	40.00	38.00	36.00

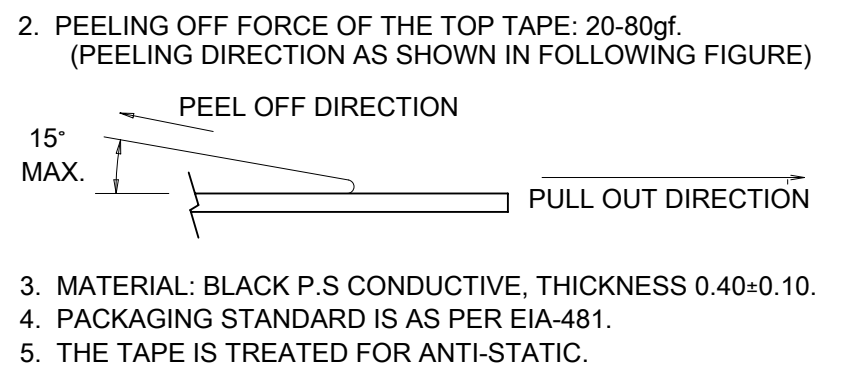
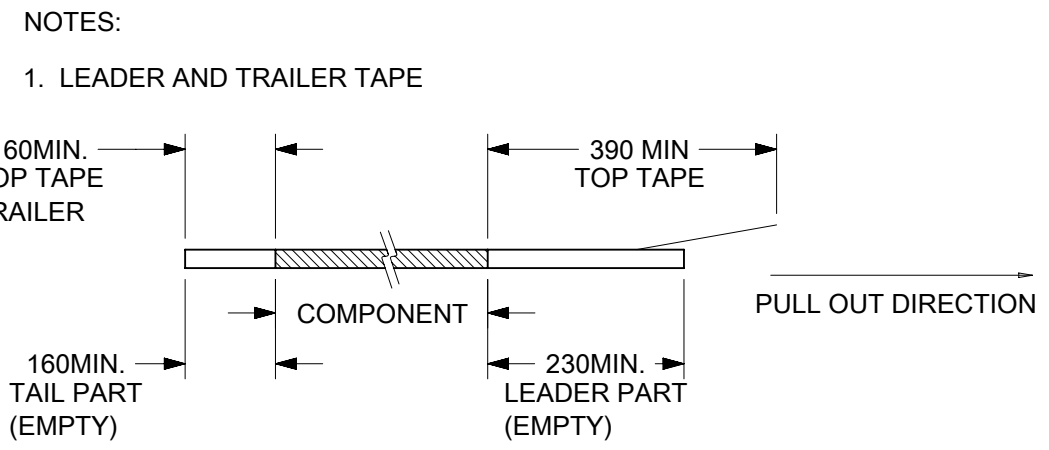
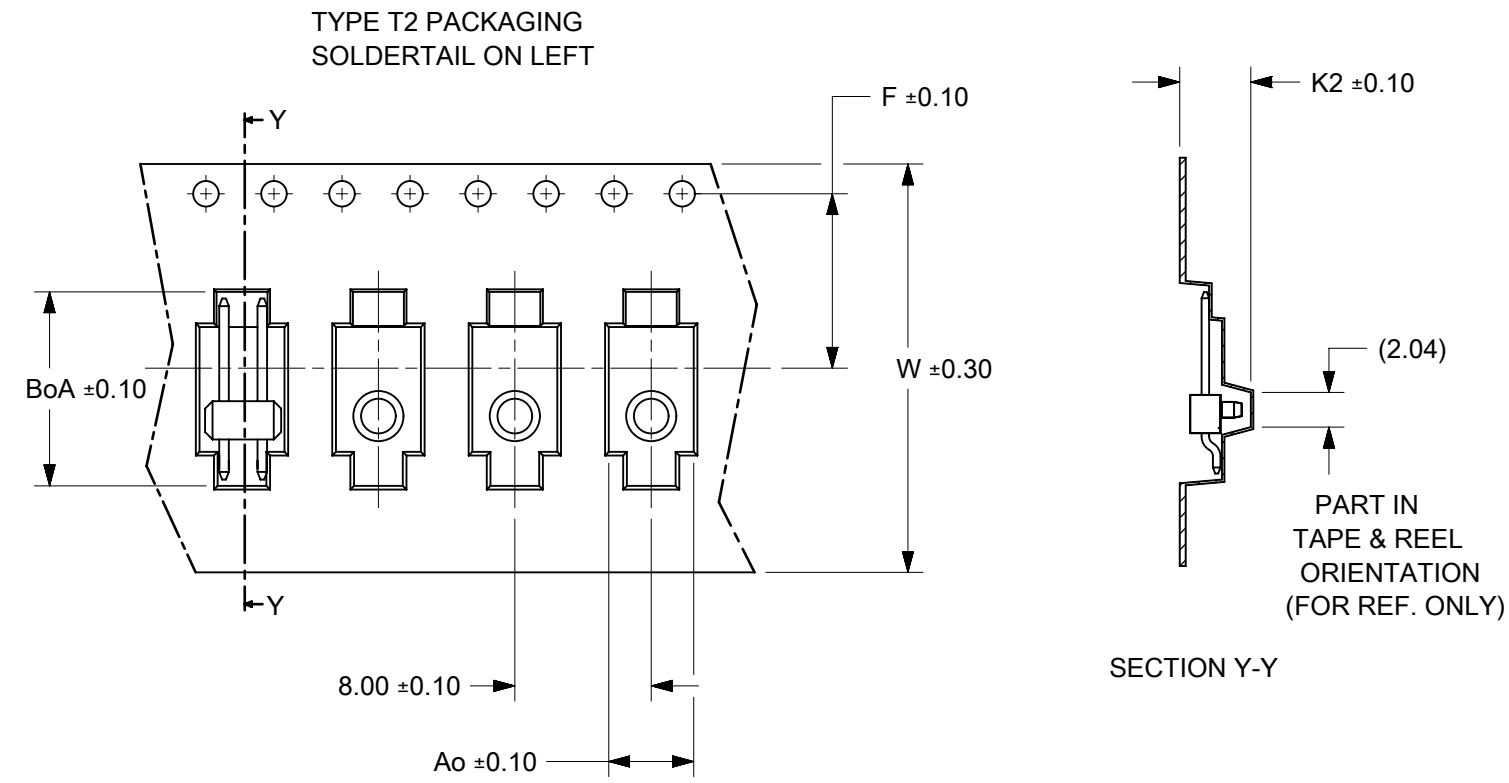
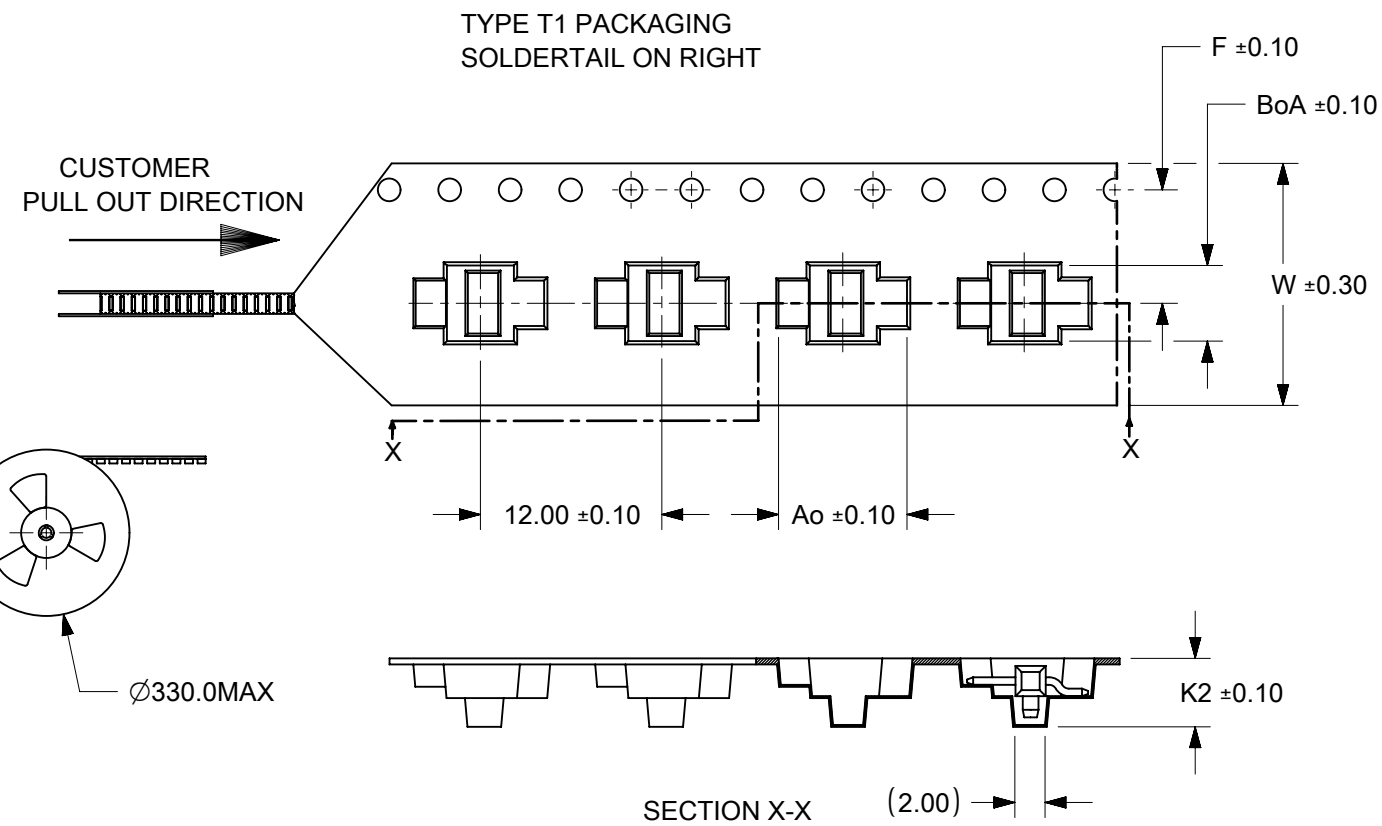
PART NO. IN TAPE & REEL PACKAGING	PART NO. IN TRAY PACKAGING	CKT SIZE	PEG	PLATE OPT.	VOID POSITION	KAPTON TAPE	DIMENSION				PACKAGING TYPE	
							F	MATING END	SOLDER TAIL	KAPTON TAPE		
								M	P	W		L
-	87858-0002	2	Y	1	---	N	8.00	3.20	2.80	-	-	-
87858-0250	-	2	N	1	---	Y	8.00	3.20	2.80	4.00	3.00	T1
87858-0003	87858-0001	2	Y	1	---	N	10.80	6.00	2.80	-	-	T2
87858-0005	87858-0006	2	N	1	---	N	10.80	6.00	2.80	-	-	T2
-	87858-0004	4	Y	1	---	N	8.00	3.20	2.80	-	-	-
87858-0450	-	4	N	1	---	Y	8.00	3.20	2.80	4.00	4.00	T1
87858-0460	-	4	N	1	---	Y	8.97	4.17	2.80	4.00	4.00	T1
87858-0461	-	4	N	1	---	Y	8.97	4.17	2.80	4.00	4.00	T1

Ⓒ6

THIS DRAWING CONTAINS INFORMATION THAT IS PROPRIETARY TO MOLEX ELECTRONIC TECHNOLOGIES, LLC AND SHOULD NOT BE USED WITHOUT WRITTEN PERMISSION												
DIMENSION UNITS	SCALE	CURRENT REV DESC: BRIGHT TIN PHASE OUT										
mm	NTS											
GENERAL TOLERANCES (UNLESS SPECIFIED)		EC NO: 679909 DRWN: AKUMAR19 2021/06/25 CHK'D: MRAMAKRISHNA 2021/10/11 APPR: MRAMAKRISHNA 2021/10/11 INITIAL REVISION: DRWN: KSEE 2003/12/14 APPR: PTLIM 2003/12/15						CUSTOM HEADER 2MM SINGLE ROW HDR IN SMT WITH PEG, BREAKAWAY				
ANGULAR TOL	± 3.0 °							PRODUCT CUSTOMER DRAWING				
4 PLACES	±							DOCUMENT NUMBER		DOC TYPE	DOC PART	REVISION
3 PLACES	±							SD-87858-001		PSD	001	C6
2 PLACES	± 0.2							MATERIAL NUMBER		CUSTOMER		SHEET NUMBER
1 PLACE	±							SEE TABLE		GENERAL MARKET		2 OF 3
0 PLACES	±	DRAWING		SERIES								
DRAFT WHERE APPLICABLE MUST REMAIN WITHIN DIMENSIONS		THIRD ANGLE PROJECTION		A3-SIZE		87858						

DOCUMENT STATUS	P1	RELEASE DATE	2021/10/11	11:53:24
-----------------	----	--------------	------------	----------

PACKAGING TYPE	CKT	DIMENSION					PACKABLE QTY
		BoA	Ao	K2	F	W	
T1	2	5.00	8.50	4.40	7.50	16.00	1200
	4	9.00	8.50	4.40	11.50	16.00	1200
T2	2	11.40	5.00	4.20	11.50	24.00	2000



THIS DRAWING CONTAINS INFORMATION THAT IS PROPRIETARY TO MOLEX ELECTRONIC TECHNOLOGIES, LLC AND SHOULD NOT BE USED WITHOUT WRITTEN PERMISSION

DIMENSION UNITS	SCALE	CURRENT REV DESC: BRIGHT TIN PHASE OUT		<b>molex</b>			
mm	NTS						
GENERAL TOLERANCES (UNLESS SPECIFIED)				CUSTOM HEADER 2MM SINGLE ROW HDR IN SMT WITH PEG, BREAKAWAY			
ANGULAR TOL ± 3.0°				PRODUCT CUSTOMER DRAWING			
4 PLACES	±	EC NO: 679909		DOCUMENT NUMBER			
3 PLACES	±	DRWN: AKUMAR19	2021/06/25	SD-87858-001			
2 PLACES	± 0.2	CHK'D: MRAMAKRISHNA	2021/10/11	DOC TYPE DOC PART REVISION			
1 PLACE	±	APPR: MRAMAKRISHNA	2021/10/11	PSD 001 C6			
0 PLACES	±	INITIAL REVISION:		MATERIAL NUMBER CUSTOMER SHEET NUMBER			
		DRWN: KSEE	2003/12/14	SEE TABLE		GENERAL MARKET	
		APPR: PTLIM	2003/12/15	A3-SIZE		87858	
DRAFT WHERE APPLICABLE MUST REMAIN WITHIN DIMENSIONS		THIRD ANGLE PROJECTION	DRAWING	SERIES		3 OF 3	