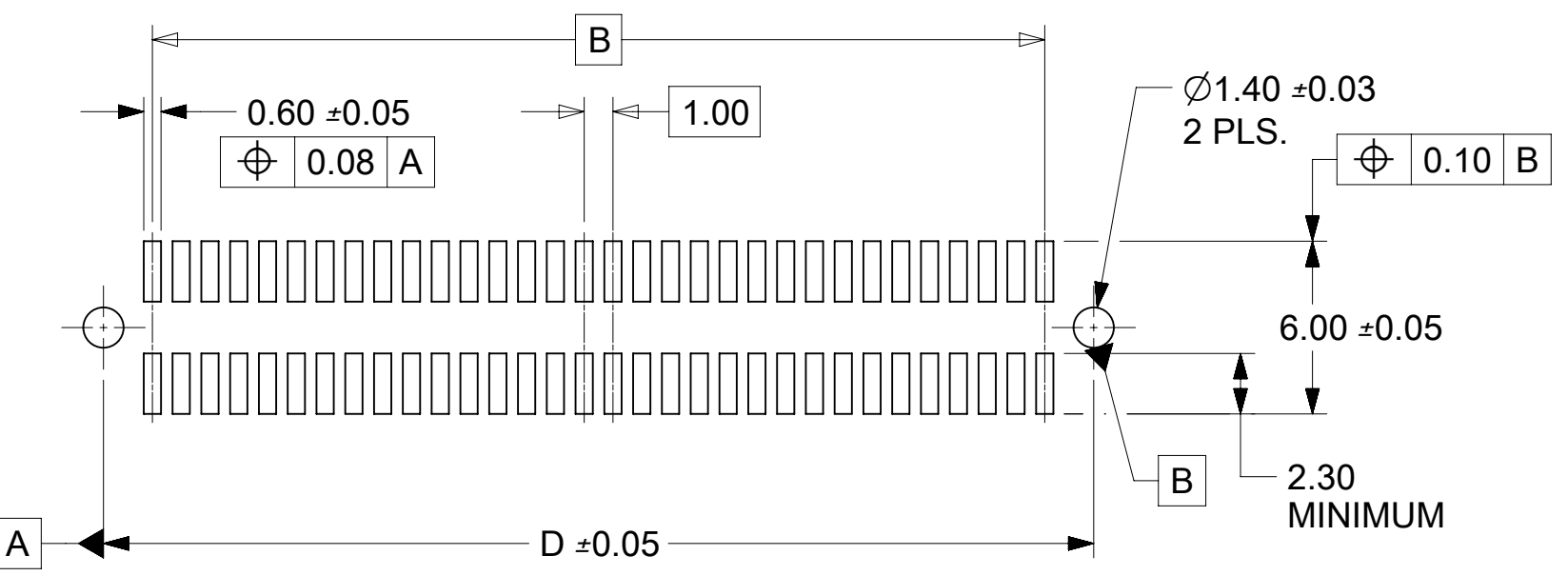
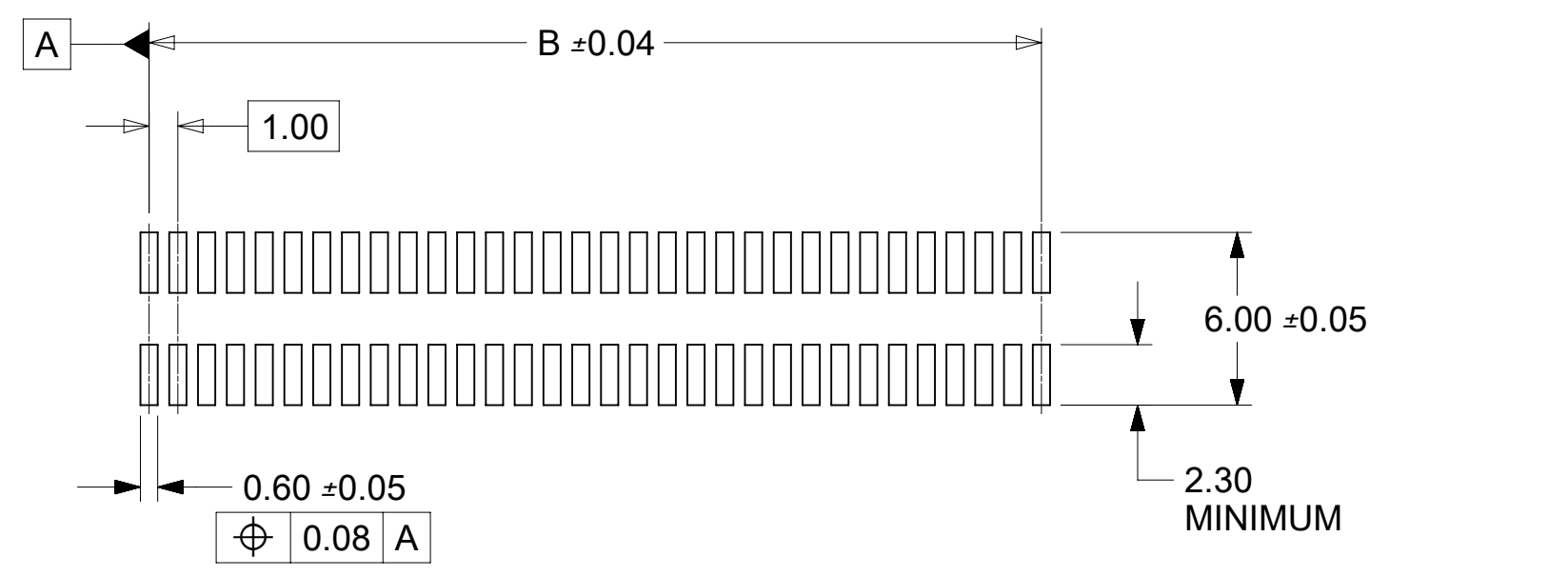


CIRCUIT SIZE	DIM.A	DIM.B	DIM.C	DIM.D
20	13.90	9.00	12.58	12.40
30	18.90	14.00	17.58	17.40
40	23.90	19.00	22.58	22.40
50	28.90	24.00	27.58	27.40
60	33.90	29.00	32.58	32.40
64	35.90	31.00	34.58	34.40
70	38.90	34.00	37.58	37.40
80	43.90	39.00	42.58	42.40
84	45.90	41.00	44.58	44.40
90	48.90	44.00	47.58	47.40
100	53.90	49.00	52.58	52.40
110	58.90	54.00	57.58	57.40
120	63.90	59.00	62.58	62.40



**RECOMMENDED PCB LAYOUT
(WITH AND WITHOUT PEGS)
RECOMMENDED PCB THICKNESS: 1.00±0.10 MINIMUM**

NOTES

- HOUSING MATERIAL: G.F. THERMOPLASTIC; UL RATING: 94V-0; COLOR: WHITE OR BLACK
TERMINAL MATERIAL: PHOSPHOR BRONZE; 0.205 THICK.
VACUUM CAP MATERIAL: STAINLESS STEEL; 0.255 THICK.
- PLATING FINISHES: SEE SHEET 2.
- THIS PART, WHEN MATED WITH MOLEX 1.0mm RECEPTACLE CONNECTOR SERIES 71439, CONFORMS TO MOLEX PRODUCT SPECIFICATION PS-71436-9999. REFER TO TABLE ON SHEET 2 FOR MATED STACK HEIGHTS FOR THIS PLUG.
- PACKAGING SPECIFICATIONS: REFER TO TABLE ON SHEET 2.
- PEGS ARE OPTIONAL. REFER TO TABLE ON SHEET 2.
- VACUUM PICK & PLACE CAP OPTIONAL. REFER TO TABLE ON SHEET 2.
- THIS PART CONFORMS TO EIA STANDARD 700 AAB FOR 1.0mm TWO-PART CONNECTORS FOR USE WITH PARALLEL PRINTED BOARDS.
- COPLANARITY OF SMT TAILS: 0.10 MAX.
- 64-CIRCUIT PLUG ASSEMBLY WITH PEGS AND VACUUM CAP SHOWN FOR ILLUSTRATION PURPOSES ONLY.
- DATE CODE STAMP IS WEEK, YEAR LOCATED APPROXIMATELY WHERE SHOWN.

THIS DRAWING CONTAINS INFORMATION THAT IS PROPRIETARY TO MOLEX ELECTRONIC TECHNOLOGIES, LLC AND SHOULD NOT BE USED WITHOUT WRITTEN PERMISSION									
DIMENSION UNITS		SCALE		CURRENT REV DESC: REDRAWN IN NX					
mm		4:1							
GENERAL TOLERANCES (UNLESS SPECIFIED)									
ANGULAR TOL		± 0.5°		EC NO: 610884		2019/01/23		SALES ASSY, 1.0MM BOARD TO BOARD PLUG CONNECTOR 4.30 STACK HEIGHT	
4 PLACES		±		DRWN: TTAO03		2019/02/01		PRODUCT CUSTOMER DRAWING	
3 PLACES		±		CHK'D: JKACHLIC		2019/02/01		DOCUMENT NUMBER	
2 PLACES		± 0.13		APPR: JKACHLIC		2019/02/01		714362000	
1 PLACE		± 0.25		INITIAL REVISION:		1995/04/03		DOC TYPE DOC PART REVISION	
0 PLACES		±		DRWN: REED		1995/04/03		PSD 000 A1	
DRAFT WHERE APPLICABLE MUST REMAIN WITHIN DIMENSIONS		THIRD ANGLE PROJECTION		DRAWING		SERIES		MATERIAL NUMBER CUSTOMER SHEET NUMBER	
				C-SIZE		71436		SEE TABLE GENERAL MARKET 1 OF 2	

WHITE (NATURAL) MATERIAL

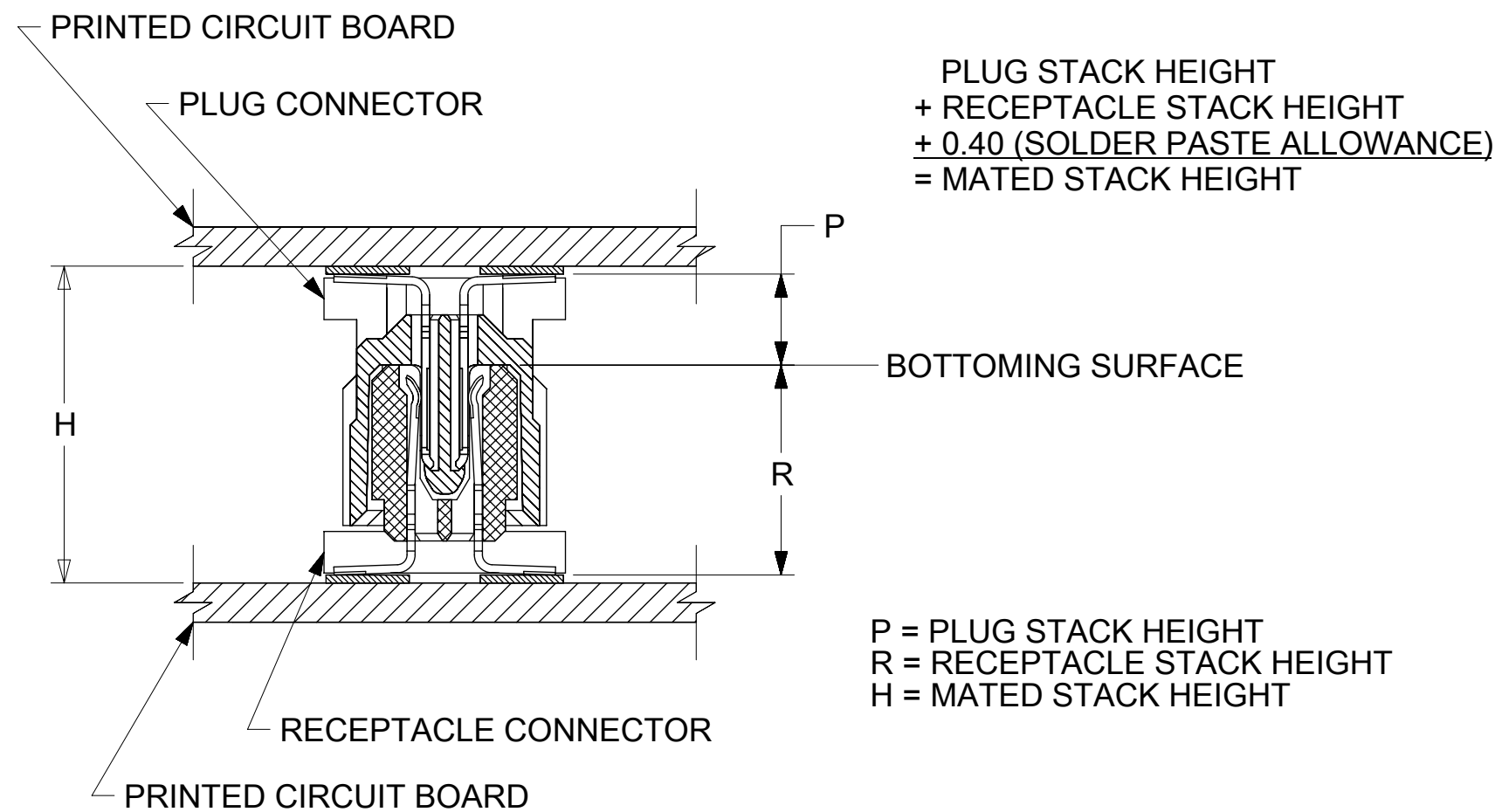
CIRCUIT SIZE	PLUG ASSY. PART NUMBER	PEGS	CONTACT PLATING SEE PLATING NOTES	PICK & PLACE CAP	PACKAGING SPEC. NUMBER	PACKAGING TYPE
64	71436-2164	YES	30 GOLD	NO	PK-70873-0607	TUBE
64	71436-2364	YES	30 GOLD	YES	PK-70873-0607	TUBE
64	71436-2464	YES	30 GOLD	YES	PK-70873-063	TAPE & REEL
64	71436-2564	NO	30 GOLD	NO	PK-70873-0606	TUBE
64	71436-2764	NO	30 GOLD	YES	PK-70873-0606	TUBE
64	71436-2864	NO	30 GOLD	YES	PK-70873-063	TAPE & REEL
64	71436-2264	NO	50 GOLD	YES	PK-70873-063	TAPE & REEL
64	71436-2664	YES	50 GOLD	NO	PK-70873-0607	TUBE
64	71436-2064	NO	50 GOLD	NO	PK-70873-0606	TUBE

BLACK MATERIAL WITH PICK & PLACE CAP

CIRCUIT SIZE	PLUG ASSY. PART NUMBER	PEGS	CONTACT PLATING SEE PLATING NOTES	PICK & PLACE CAP	PACKAGING SPEC. NUMBER	PACKAGING TYPE
64	71436-2964	NO	30 GOLD	YES	PK-70873-063	TAPE & REEL

RECOMMENDED PLUG/RECEPTACLE COMBINATION FOR MATED STACK HEIGHT PER EIA STANDARD 700 AAAB

MATED STACK HEIGHT	RECEPTACLE HEIGHT	RECEPTACLE SERIES NO.	PLUG HEIGHT	PLUG SERIES NO.
10.00	5.30	71439-0***	4.30	71436-2***
12.00	7.30	71439-1***		
13.00	8.30	71439-2***		
15.00	10.30	71439-3***		



PLATING PER ES-88

30 GOLD - 0.76 MICROMETERS MINIMUM GOLD IN CONTACT AREA AND 1.91 MICOMETERS MINIMUM MATTE TIN IN PC TAIL AREA OVER 1.27 MICROMETERS MINIMUM PLATING OVERALL.

50 GOLD - 1.27 MICROMETERS MINIMUM GOLD IN CONTACT AREA AND 1.91 MICOMETERS MINIMUM MATTE TIN IN PC TAIL AREA OVER 1.27 MICROMETERS MINIMUM PLATING OVERALL.

THIS DRAWING CONTAINS INFORMATION THAT IS PROPRIETARY TO MOLEX ELECTRONIC TECHNOLOGIES, LLC AND SHOULD NOT BE USED WITHOUT WRITTEN PERMISSION									
DIMENSION UNITS		SCALE		CURRENT REV DESC: REDRAWN IN NX					
mm		---							
GENERAL TOLERANCES (UNLESS SPECIFIED)				EC NO: 610884		SALES ASSY, 1.0MM BOARD TO BOARD		PLUG CONNECTOR 4.30 STACK HEIGHT	
ANGULAR TOL		± 0.5°		DRWN: TTAO03		2019/01/23			
4 PLACES		±		CHK'D: JKACHLIC		2019/02/01			
3 PLACES		±		APPR: JKACHLIC		2019/02/01			
2 PLACES		± 0.13		INITIAL REVISION:					
1 PLACE		± 0.25		DRWN: REED		1995/04/03			
0 PLACES		±		APPR: BIXLER		1995/04/03			
DRAFT WHERE APPLICABLE MUST REMAIN WITHIN DIMENSIONS				THIRD ANGLE PROJECTION		DRAWING		SERIES	
						C-SIZE		71436	
DOCUMENT NUMBER		DOC TYPE		DOC PART		REVISION			
714362000		PSD		000		A1			
MATERIAL NUMBER		CUSTOMER		SHEET NUMBER					
SEE TABLE		GENERAL MARKET		2 OF 2					