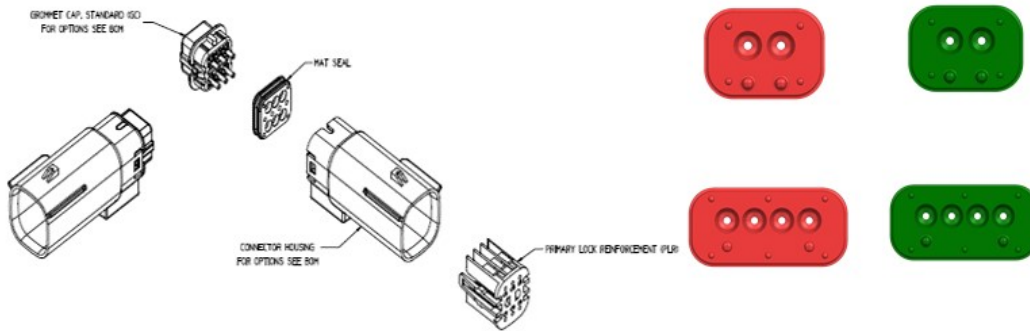




Product Change Notification

Date Issued :	May 31, 2022	PCN Number :	512135
Reason for Change :	Obsolete		
Description of Change :	This notification is to inform you about the Obsolescence of part(s) referenced in this notice. Please connect with your Molex Sales Engineer for additional queries related to possible replacement part(s).		
Reason for Short Notice :	Force Majeure		
Planned Implementation Date :	June 29, 2022		
Recommended replacement parts :	Please see the attached replacement parts list .xls file.		
Last Time Buy Date for Obsolete Parts :	June 01, 2022		
Last Time Ship Date for Obsolete Parts :	June 01, 2022		

Before Picture



1

1

Molex Confidential Information
© 2016 Molex – All Rights Reserved. Unauthorized Reproduction/Distribution is Prohibited.



After Picture

Overview

- As part of continuous improvement Molex upgraded the seal geometry on MX150 1x2, 1x4 mat seal connectors. New part numbers have been in production and are referenced below. Old part numbers will become fully obsolete as raw material is discontinued.

- Product Impact
 - Upgraded mat seal design change, color will change from Red to Green.

- Part Number Impact
 - Please see next page

- PPAP and samples available upon request

2 Molex Confidential Information
© 2016 Molex – All Rights Reserved. Unauthorized Reproduction/Distribution is Prohibited.



RELEASED

Additional Information :

Part Numbers Impacted

List of part numbers affected	New replacement part numbers
312800436	312804436
312800437	312804437
312800441	312804441
312800446	312804446
312800448	312804448
312800449	312804449
334810401	334814401
334810402	334814402
334810406	334814406
334810411	334814411
334810416	334814416
334810422	334814422
334810423	334814423
334810429	334814429
334810430	334814430
334810201	334812201
334810202	334812202
334810203	334812203
334810205	334812205
334810210	334812210
1601062001	1601062005

Molex Confidential Information
© 2016 Molex – All Rights Reserved. Unauthorized Reproduction/Distribution is Prohibited.



3 3

RELEASED

"After the last time ship date, Molex will no longer manufacture the products included within this notification and all related tooling will be decommissioned.

For assets that are customer owned, the owner has 90 days after the last time ship date to claim the tooling."

You may address inquires regarding this PCN by clicking on the below link

mailto:pcn_coordinator@molex.com?subject=PCN_Notification:512135

or contact your Local Sales Engineer.

Note: While responding, please retain " PCN Notification : **PCN Notification: 512135** " in the e-mail Subject line for faster response.

[Molex, LLC](#)

2222 Wellington Court

Lisle, IL 60532

TEL (800) 786-6539

www.molex.com