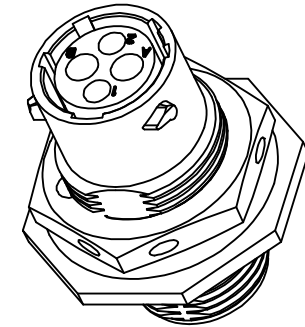
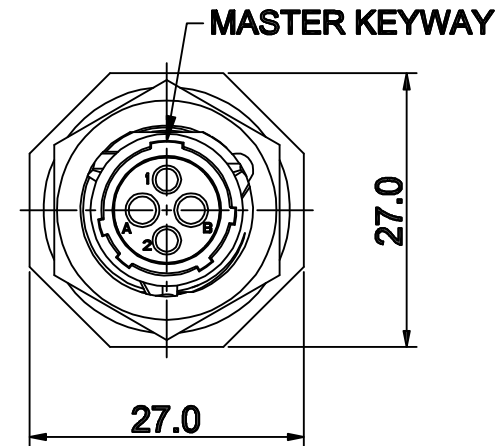
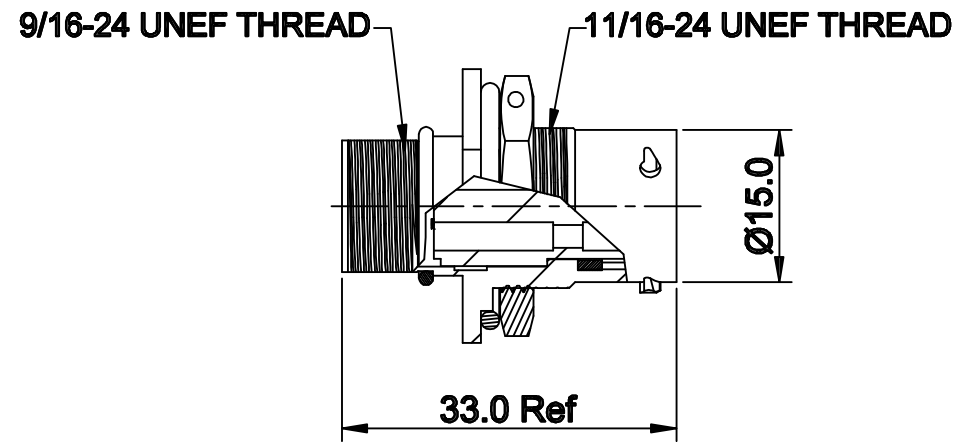


REVISIONS					
REV	ECO	DESCRIPTION	DATE	BY	APPR
B1	-	RELEASED DRAWING	JULY-03-2014	BEN	TOMMY
B2	-	CORRECT THE DRAWING	JULY-19-2019	BLINK	TOMMY



NOTES: (UNLESS OTHERWISE SPECIFIED)

1. MATERIAL:

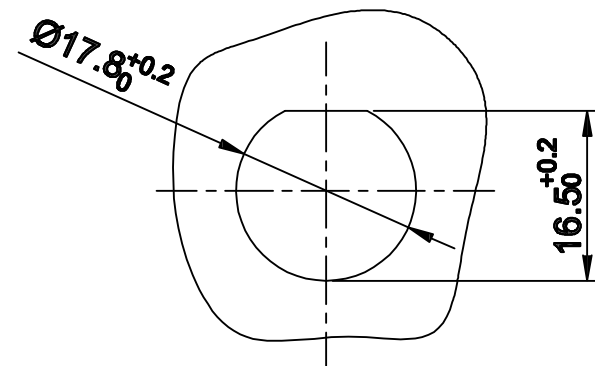
- SHELL: ZINC ALLOY, NICKEL PLATED.
- INSERT: THERMOPLASTIC, UL94 V-0.
- NUTS: AL ALLOY NICKEL PLATED.
- SEAL GASKET: NBR/SILICONE RUBBER.
- O-RING: NBR/SILICONE RUBBER.

2. SPECIFICATIONS:

- 2.1 RATED CURRENT:
 - 2.1.1 16#CONTACT 13A (MAX).
 - 2.1.2 20#CONTACT 5A (MAX).
- 2.2 RATED VOLTAGE: 350V(AC/DC).
- 2.3 OPERATING TEMPERATURE: SEE CHART.
- 2.4 DIELECTRIC WITHSTANDING VOLTAGE: LESS THAN 2 MILLIAMPS CURRENT LEAKAGE@2000 VOLTS AC.
- 2.5 INSULATION RESISTANCE: 5000 MEGOHMS MIN.
- 2.6 IP--CLASS: IP67.
- 2.7 MATING CYCLES DURABILITY: 500 CYCLES MIN.
- 2.8 ROHS COMPLIANT.

3. SUITABLE CONTACTS: 16# & 20# CONTACTS.

4. ALL DIMENSIONS ARE FOR REFERENCE USE ONLY.



PANEL CUT OUT REFERENCE

KEY POS	PART NUMBER	
	-40C ~ 105C	-40C ~ 105C
N	RT07102SNH	RT07102SNH03
W	RT07102SWH	RT07102SWH03
X	RT07102SXH	RT07102SXH03
Y	RT07102SYH	RT07102SYH03
Z	RT07102SZH	RT07102SZH03

QUANTITY	SEE PART NUMBER CHART	PART NUMBER	DESCRIPTION	ITEM
MATERIALS LIST				
UNLESS OTHERWISE SPECIFIED 1) All dimensions are in metric(mm). 2) Tolerances are as follows: 1 PL DEC ±0.30 Fractions ±1/64 2 PL DEC ±0.15 Angles ±1° 3 PL DEC ±0.08 3) Note reference = X		SIGNATURES DRAWN: BLINK CHECKED: MARTIN ENGINEER: APPROVAL: TOMMY	DATE JULY-19-2019 JULY-19-19 JULY-19-19	<div style="text-align: center;"> <h1>Amphenol</h1> <p>Sine Systems - www.amphenol-sine.com 44724 Morley Drive Clinton Township, MI 48036</p> </div>
MATERIAL SPECIFICATIONS: PROCESS SPECIFICATIONS: NEXT ASSY:		CUSTOMER: THIS DRAWING IS SUPPLIED FOR INFORMATION ONLY. DESIGN FEATURES, SPECIFICATIONS AND PERFORMANCE DATA SHOWN HEREON ARE THE PROPERTY OF THE AMPHENOL CORPORATION. NO RIGHTS OF REPRODUCTION ARE IMPLIED. ALL DIMENSIONS ARE SUBJECT TO NORMAL MANUFACTURING VARIATIONS.	ECO-MATE, RECEPTACLE, JAMNUT, SIZE 10, 2 POS, SOCKET. SIZE B TYPE C- DWG NO: RT07102S*H* REVISION B2	SCALE: NONE SHEET 1 OF 1

ecomate® RM/RSSM/Aquarius™ - Contact Size 16 Options

Machined, Crimp Contacts				
Part Number		AWG	Wire Range (mm ²)	Plating
Male	Female			
MP14M23F	MS14M23F	14	2.0-2.5	Gold Flash
MP14M23G5	MS14M23G5	14	2.0-2.5	Gold 5µ"
MP14M23G10	MS14M23G10	14	2.0-2.5	Gold 10µ"
MP14M23G15	MS14M23G15	14	2.0-2.5	Gold 15µ"
MP14M23G30	MS14M23G30	14	2.0-2.5	Gold 30µ"
MP16M23F	MS16M23F	18-16	.75-1.5	Gold Flash
MP16M23G5	MS16M23G5	18-16	.75-1.5	Gold 5µ"
MP16M23G10	MS16M23G10	18-16	.75-1.5	Gold 10µ"
MP16M23G15	MS16M23G15	18-16	.75-1.5	Gold 15µ"
MP16M23G30	MS16M23G30	18-16	.75-1.5	Gold 30µ"
MP20M23F	MS20M23F	22-20	.34-.50	Gold Flash
MP20M23G5	MS20M23G5	22-20	.34-.50	Gold 5µ"
MP20M23G10	MS20M23G10	22-20	.34-.50	Gold 10µ"
MP20M23G15	MS20M23G15	22-20	.34-.50	Gold 15µ"
MP20M23G30	MS20M23G30	22-20	.34-.50	Gold 30µ"
MP24M23F	MS24M23F	26-24	.14-.25	Gold Flash
MP24M23G5	MS24M23G5	26-24	.14-.25	Gold 5µ"
MP24M23G10	MS24M23G10	26-24	.14-.25	Gold 10µ"
MP24M23G15	MS24M23G15	26-24	.14-.25	Gold 15µ"
MP24M23G30	MS24M23G30	26-24	.14-.25	Gold 30µ"

Stamped & Formed, Crimp Contacts				
Part Number		AWG	Wire Range (mm ²)	Plating
Male	Female			
SP14M2F	SS14M2F	14	2.0-2.5	Gold Flash
SP14M2G5	SS14M2G5	14	2.0-2.5	Gold 5µ"
SP14M2G10	SS14M2G10	14	2.0-2.5	Gold 10µ"
SP14M2G15	SS14M2G15	14	2.0-2.5	Gold 15µ"
SP14M2G30	SS14M2G30	14	2.0-2.5	Gold 30µ"
SP16M2F	SS16M2F	18-16	.75-1.5	Gold Flash
SP16M2G5	SS16M2G5	18-16	.75-1.5	Gold 5µ"
SP16M2G10	SS16M2G10	18-16	.75-1.5	Gold 10µ"
SP16M2G15	SS16M2G15	18-16	.75-1.5	Gold 15µ"
SP16M2G30	SS16M2G30	18-16	.75-1.5	Gold 30µ"
SP20M2F	SS20M2F	22-20	.34-.50	Gold Flash
SP20M2G5	SS20M2G5	22-20	.34-.50	Gold 5µ"
SP20M2G10	SS20M2G10	22-20	.34-.50	Gold 10µ"
SP20M2G15	SS20M2G15	22-20	.34-.50	Gold 15µ"
SP20M2G30	SS20M2G30	22-20	.34-.50	Gold 30µ"
SP24M2F	SS24M2F	22-20	.14-.25	Gold Flash
SP24M2G5	SS24M2G5	26-24	.14-.25	Gold 5µ"
SP24M2G10	SS24M2G10	26-24	.14-.25	Gold 10µ"
SP24M2G15	SS24M2G15	26-24	.14-.25	Gold 15µ"
SP24M2G30	SS24M2G30	26-24	.14-.25	Gold 30µ"

Tooling, Machined	
Part Number	Description
QXRT16	Contact Extraction Tool, #16 (Ø 1.6) Contact
MFY-3959	Hand Crimp Tool for Machined Contacts
MFY-3960	Pneumatic Crimp Tool for Machined Contact

Tooling, Stamped & Formed	
Part Number	Description
QXRT16	Contact Extraction Tool, #16 (Ø 1.6) Contact
MFY-3954	Hand Tool, Stamped & Formed Contact, Size 16, 20-14AWG
MFY-3957	Crimp Die, Stamped & Formed Contact

Plating Options	
Symbol	Plating
T	Tin Plated (for Stamped & Formed Contacts)
S	Silver Plated 5Um (for Machined Contacts)
F	Gold Plated
G5	Gold Plated (Thickness 5µ")
G10	Gold Plated (Thickness 10µ")
G15	Gold Plated (Thickness 15µ")
G30	Gold Plated (Thickness 30µ")

Standard Quantity Order Options	
Machined	Stamped & Formed
Bulk Package, 500 Pieces	Reel, 3000 Pieces

Amphenol Sine Systems
 44724 Morley Drive
 Clinton Township, MI 48036 USA
www.amphenol-sine.com
 04/2021

ecomate® RM/RSSM/Aquarius™ - Contact Size 20 Options

Machined, Crimp Contacts				
Part Number		AWG	Wire Range (mm ²)	Plating
Male	Female			
MP20W23F	MS20W23F	22-20	.34-.50	Gold Flash
MP20W23G5	MS20W23G5	22-20	.34-.50	Gold 5μ"
MP20W23G10	MS20W23G10	22-20	.34-.50	Gold 10μ"
MP20W23G15	MS20W23G15	22-20	.34-.50	Gold 15μ"
MP20W23G30	MS20W23G30	22-20	.34-.50	Gold 30μ"
MP24W23F	MS24W23F	26-24	.13-.25	Gold Flash
MP24W23G5	MS24W23G5	26-24	.13-.25	Gold 5μ"
MP24W23G10	MS24W23G10	26-24	.13-.25	Gold 10μ"
MP24W23G15	MS24W23G15	26-24	.13-.25	Gold 15μ"
MP24W23G30	MS24W23G30	26-24	.13-.25	Gold 30μ"
MP28W23F	MS28W23F	30-28	.05-.08	Gold Flash
MP28W23G5	MS28W23G5	30-28	.05-.08	Gold 5μ"
MP28W23G10	MS28W23G10	30-28	.05-.08	Gold 10μ"
MP28W23G15	MS28W23G15	30-28	.05-.08	Gold 15μ"
MP28W23G30	MS28W23G30	30-28	.05-.08	Gold 30μ"

Stamped & Formed, Crimp Contacts				
Part Number		AWG	Wire Range (mm ²)	Plating
Male	Female			
SP20W2F	SS20W2F	22-20	.34-.50	Gold Flash
SP20W2G5	SS20W2G5	22-20	.34-.50	Gold 5μ"
SP20W2G10	SS20W2G10	22-20	.34-.50	Gold 10μ"
SP20W2G15	SS20W2G15	22-20	.34-.50	Gold 15μ"
SP20W2G30	SS20W2G30	22-20	.34-.50	Gold 30μ"
SP24W2F	SS24W2F	26-24	.14-.25	Gold Flash
SP24W2G5	SS24W2G5	26-24	.14-.25	Gold 5μ"
SP24W2G10	SS24W2G10	26-24	.14-.25	Gold 10μ"
SP24W2G15	SS24W2G15	26-24	.14-.25	Gold 15μ"
SP24W2G30	SS24W2G30	26-24	.14-.25	Gold 30μ"
SP28W2F	SS28W2F	30-28	.05-.08	Gold Flash
SP28W2G5	SS28W2G5	30-28	.05-.08	Gold 5μ"
SP28W2G10	SS28W2G10	30-28	.05-.08	Gold 10μ"
SP28W2G15	SS28W2G15	30-28	.05-.08	Gold 15μ"
SP28W2G30	SS28W2G30	30-28	.05-.08	Gold 30μ"

Tooling, Machined	
Part Number	Description
QXRT20	Contact Extraction Tool, #20 (Ø 1.0) Contact
MFY-3959	Hand Crimp Tool for Machined Contacts
MFY-3960	Pneumatic Crimp Tool for Machined Contact

Tooling, Stamped & Formed	
Part Number	Description
QXRT20	Contact Extraction Tool, #20 (Ø 1.0) Contact
MFY-3958	Hand Tool, Stamped & Formed Contact, Size 20, 20-28AWG
MFY-3957	Crimp Die for Stamped & Formed Contact

Plating Options	
Symbol	Plating
T	Tin Plated (for Stamped & Formed Contacts)
S	Silver Plated 5Um (for Machined Contacts)
F	Gold Plated
G5	Gold Plated (Thickness 5μ")
G10	Gold Plated (Thickness 10μ")
G15	Gold Plated (Thickness 15μ")
G30	Gold Plated (Thickness 30μ")

Standard Quantity Order Options	
Machined	Stamped & Formed
Bulk Package, 500 Pieces	Reel, 3000 Pieces

Amphenol Sine Systems
 44724 Morley Drive
 Clinton Township, MI 48036 USA
www.amphenol-sine.com
 04/2021