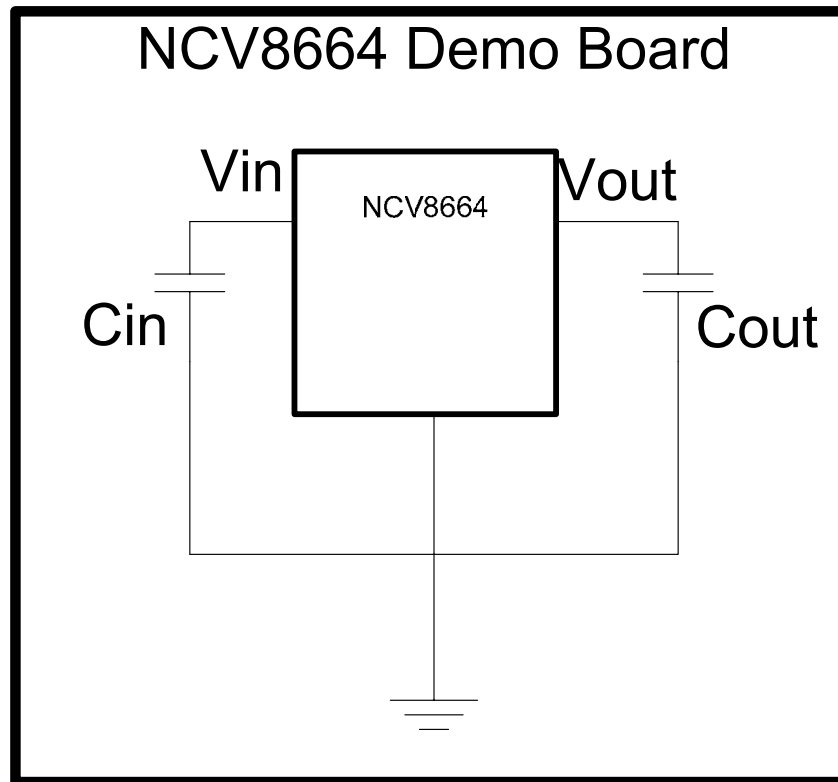


Schematic for the NCV8664 Evaluation Board

ON Semiconductor®



5.16.2007



NCV8664 Demonstration Board Circuit