

H G F E D C B A

4

3

2

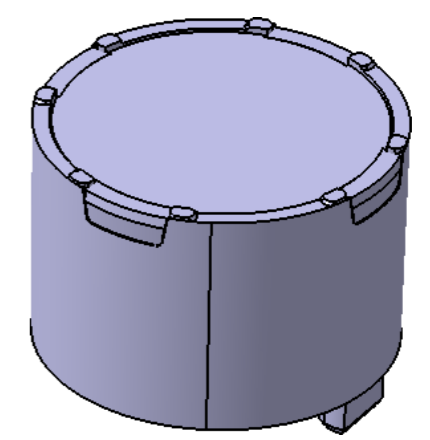
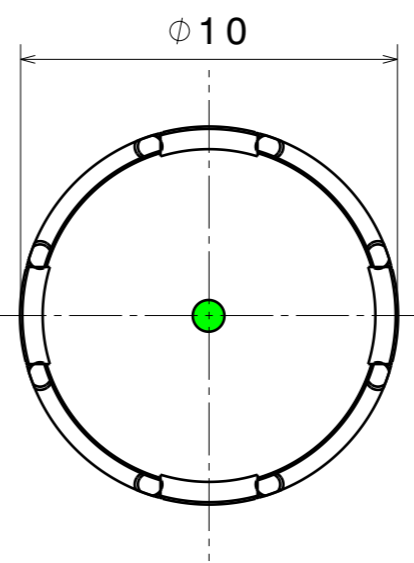
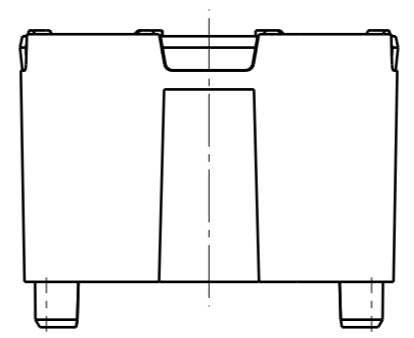
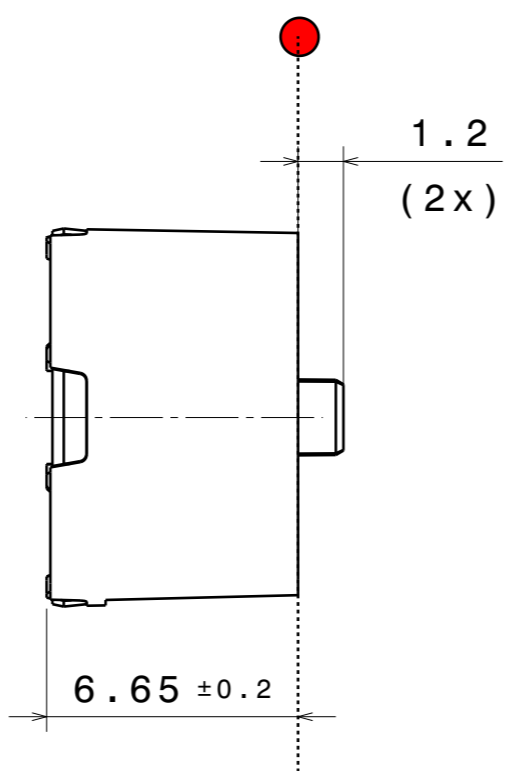
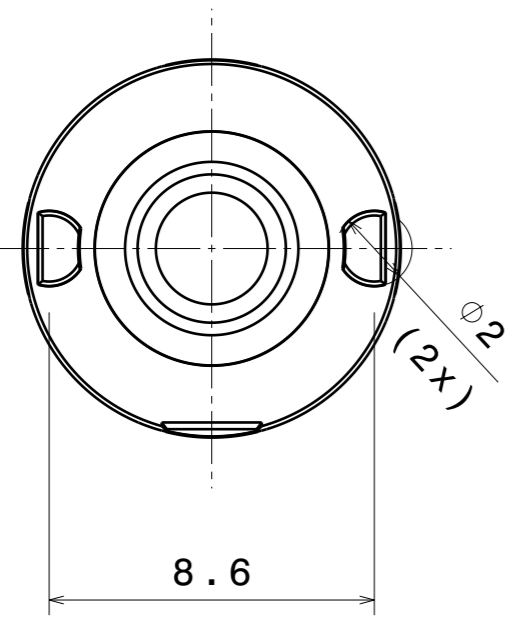
1

4

3

2

1



FP16558_Lisa3-RS-PIN Datasheet

COMPONENTS

INDEX	PART	REV	TYPE	MATERIAL	COLOR / COATING
1	F16557_LISA3-HLD-PIN Mechanical model	001		PC	Black
2	F16551_LISA3-RS Mechanical model	001		PMMA	Clear

MECHANICAL DRAWING		LEDiL[®]
PRODUCT LISA3		
Plastic moulding general tolerances according to DIN 16901-130 and applies if not otherwise shown in the drawing. Silicone moulding general tolerances according to ISO 3302-1 Class M3 and applies if not otherwise shown in the drawing.	FIRST ANGLE PROJECTION: 	This drawing is the property of LEDiL Oy. It may not be copied or otherwise distributed without prior written permission from LEDiL Oy.
SCALE 1:1	WEIGHT 0,426 g	A3 SHEET 1/1

Notes

	PCB or heatsink level.
	LED location
	Ensure LED fitting from a product specific 3D model available from www.ledil.com
	For more details about installation please see LEDiL Installation Guide on www.ledil.com

H G F E D C B A