

**TECHNICAL SPECIFICATIONS**

Material: Plastic (PA), UL94-HB  
 Colour: Light Grey  
 Operating Temperature: -55°C to +110°C  
 Thumbscrews: UNC 4-40  
 No. of contacts: 09-15-25-37-50

Item	QTY	Part description
1	1	Plastic Cover
2	2	EPS 3x8 Self Tapping Screw
3	1	Cable Clamp
4	1	Plastic Insert
5	2	Jackscrews UNC4-40x51mm

**RoHS compliant**  
 Unit: mm

Scale	Free				Date	Name	Customer-No.
TOLERANCE					Drawn	17.08.2017	S.Bölling
0~6	±0.10				Approved	17.08.2017	S.Bölling
6~30	±0.20						
30~120	±0.30						
120~400	±0.50	1	Update Dimension (page 5)	01.04.2019	M.Rosander		
DIM	Tol	Ⓞ	Drawn	17.08.2017	S.Bölling	<b>ASSMANN</b> <b>WSW components</b>	
Angle	±1°					ASS_5254_CO	rev01
Angle	Tol	ld.	Modification	Date	Name	Replace	Sheet 1/5

Customer-No.  
 ASSMANN WSW-No.  
**ACOV-SUB-09NB13**

Drawing-No.  
**ASS\_5254\_CO**  
 rev01  
 Sheet 1/5

1

2

3

4

5

6

7

A

B

C

D

E

F

G

H

A

B

C

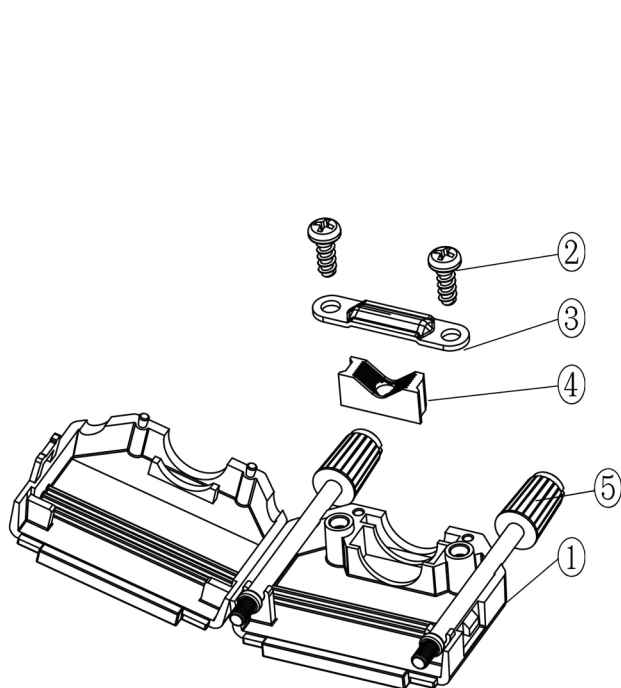
D

E

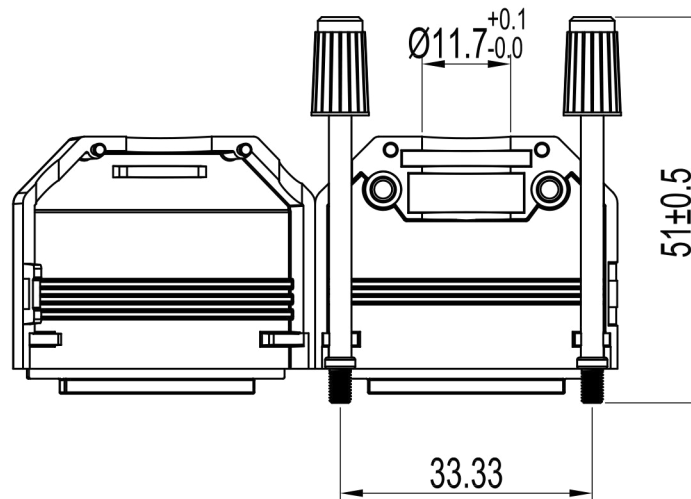
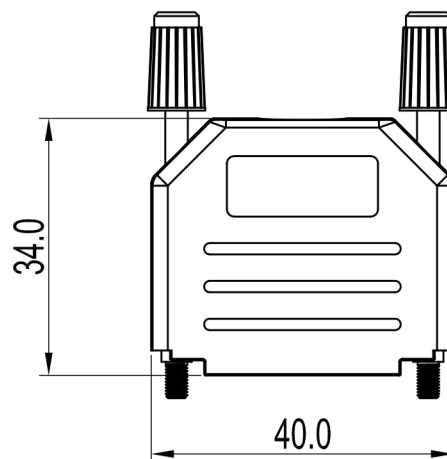
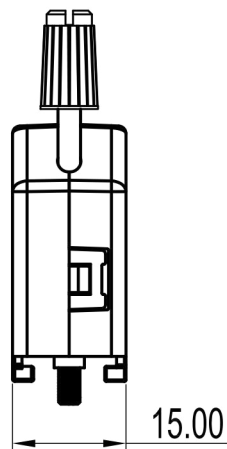
F

G

H



Item	QTY	Part description
1	1	Plastic Cover
2	2	EPS 3x8 Self Tapping Screw
3	1	Cable Clamp
4	1	Plastic Insert
5	2	Jackscrews UNC4-40x51mm



#### TECHNICAL SPECIFICATIONS

Material: Plastic (PA), UL94-HB  
 Colour: Light Grey  
 Operating Temperature: -55°C to +110°C  
 Thumbscrews: UNC 4-40

No. of contacts: 09-15-25-37-50

**RoHS compliant**  
 Unit: mm

Scale	Free				Date	Name	Customer-No.
TOLERANCE					Drawn	17.08.2017	S.Bölling
0~6	±0.10				Approved	17.08.2017	S.Bölling
6~30	±0.20						
30~120	±0.30						
120~400	±0.50	1	Update Dimension (page 5)	01.04.2019	M.Rosander		
DIM	Tol	Ⓞ	Drawn	17.08.2017	S.Bölling		
Angle	±1°						
Angle	Tol	ld.	Modification	Date	Name		

**ASSMANN**  
 WSW components

ASSMANN WSW-No.  
**ACOV-SUB-15NB13**

Drawing-No.  
**ASS\_5254\_CO** rev01  
 Replace Sheet 2/5

1

2

3

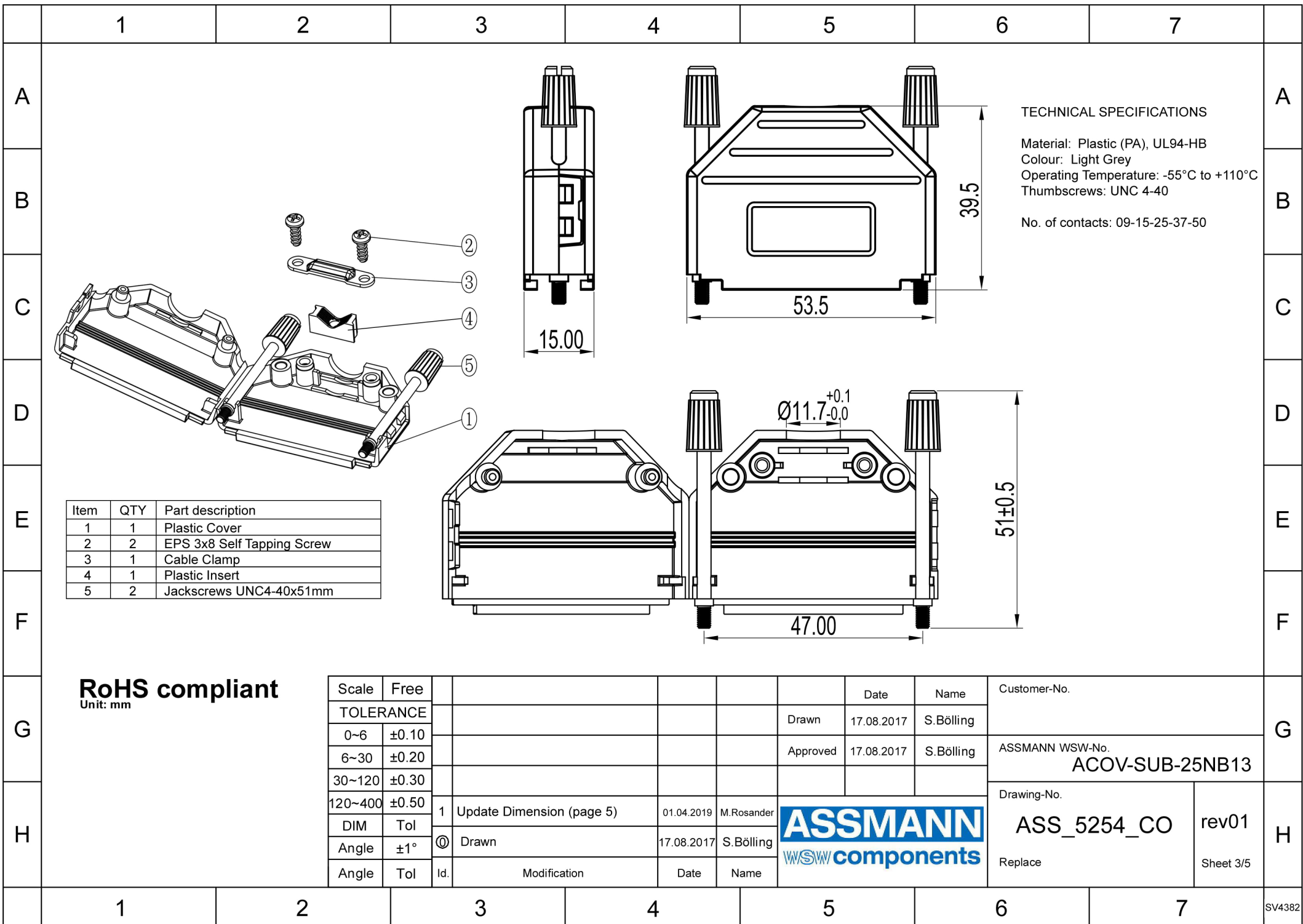
4

5

6

7

SV4382



1

2

3

4

5

6

7

A

A

B

B

C

C

D

D

E

E

F

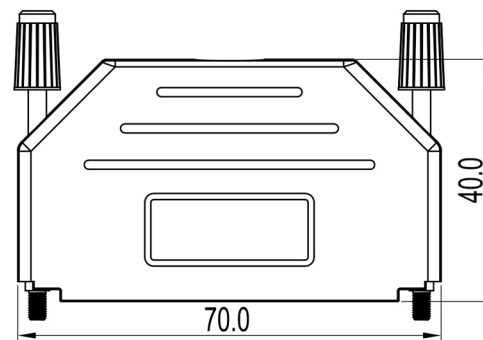
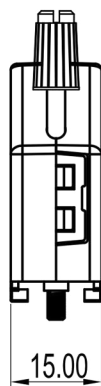
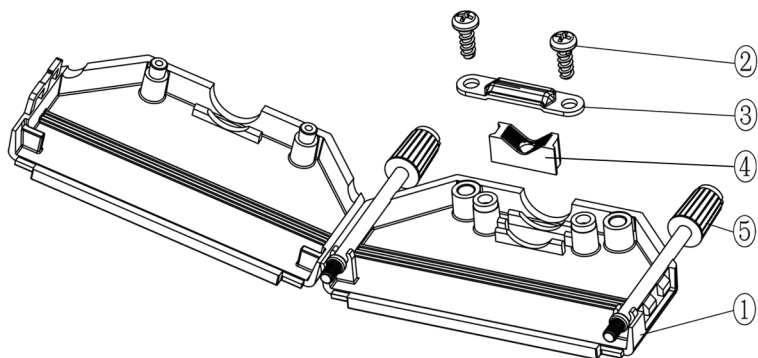
F

G

G

H

H

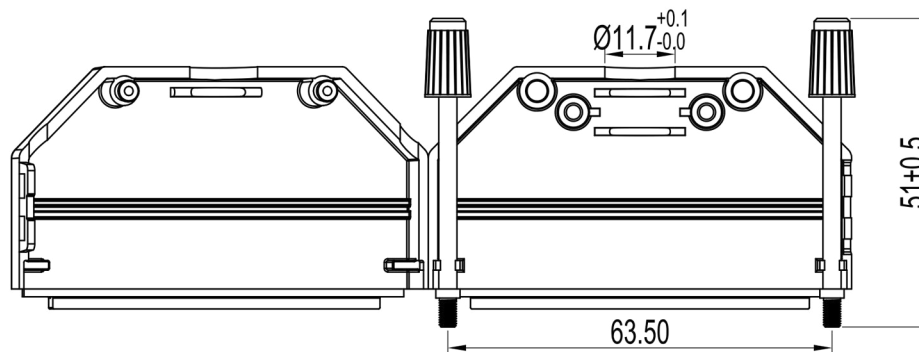


#### TECHNICAL SPECIFICATIONS

Material: Plastic (PA), UL94-HB  
 Colour: Light Grey  
 Operating Temperature: -55°C to +110°C  
 Thumbscrews: UNC 4-40

No. of contacts: 09-15-25-37-50

Item	QTY	Part description
1	1	Plastic Cover
2	2	EPS 3x8 Self Tapping Screw
3	1	Cable Clamp
4	1	Plastic Insert
5	2	Jackscrews UNC4-40x51mm



**RoHS compliant**  
 Unit: mm

Scale	Free				Date	Name	Customer-No.
TOLERANCE					Drawn	17.08.2017	S.Bölling
0~6	±0.10				Approved	17.08.2017	S.Bölling
6~30	±0.20						
30~120	±0.30						
120~400	±0.50	1	Update Dimension (page 5)	01.04.2019	M.Rosander		
DIM	Tol	ⓐ	Drawn	17.08.2017	S.Bölling	<b>ASSMANN</b> <b>WSW components</b>	
Angle	±1°						
Angle	Tol	ld.	Modification	Date	Name		

ASSMANN WSW-No.  
**ACOV-SUB-37NB13**

Drawing-No.  
**ASS\_5254\_CO** rev01  
 Replace  
 Sheet 4/5

1

2

3

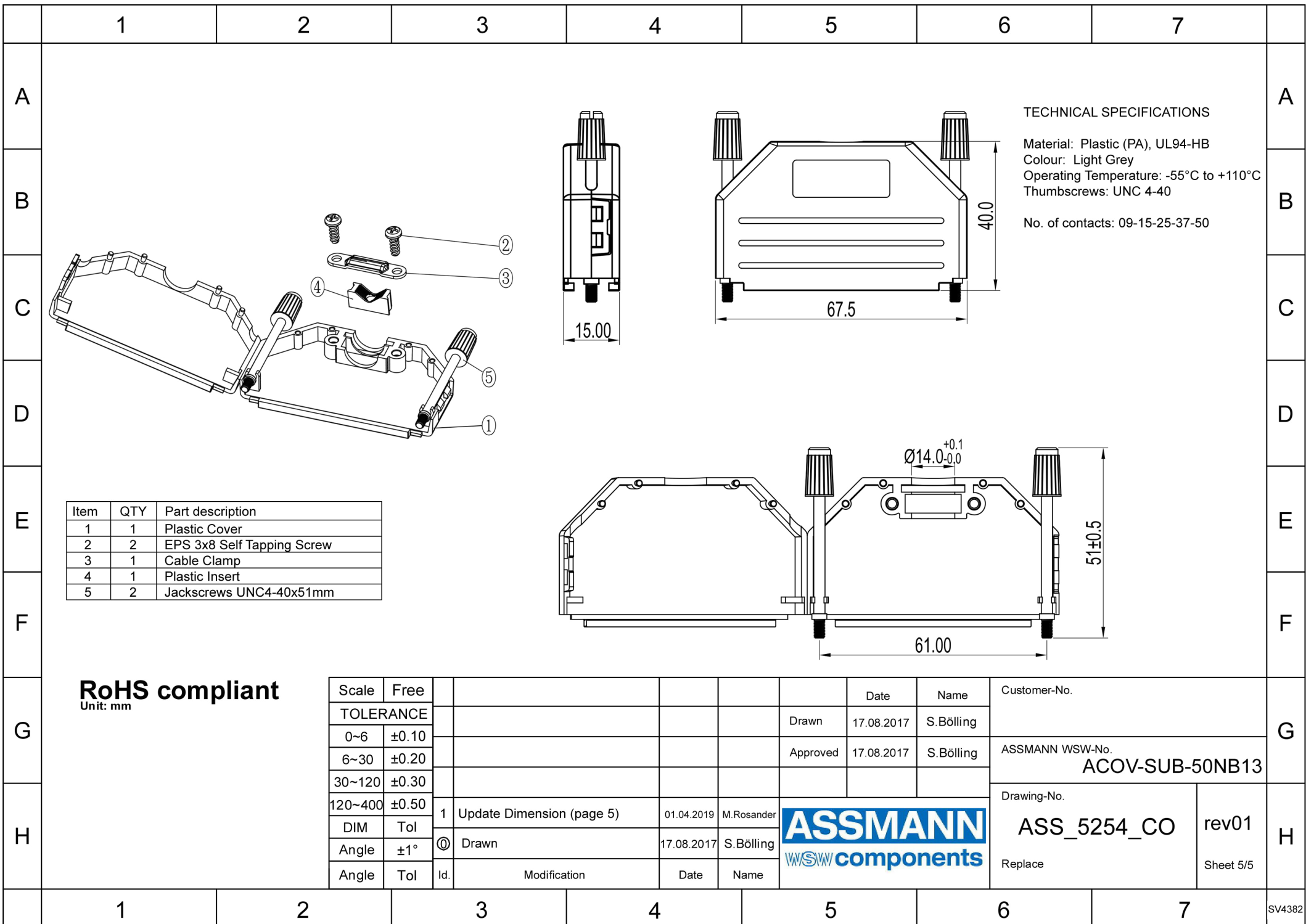
4

5

6

7

SV4382



**TECHNICAL SPECIFICATIONS**

Material: Plastic (PA), UL94-HB  
 Colour: Light Grey  
 Operating Temperature: -55°C to +110°C  
 Thumbscrews: UNC 4-40  
 No. of contacts: 09-15-25-37-50

Item	QTY	Part description
1	1	Plastic Cover
2	2	EPS 3x8 Self Tapping Screw
3	1	Cable Clamp
4	1	Plastic Insert
5	2	Jackscrews UNC4-40x51mm

**RoHS compliant**  
 Unit: mm

Scale	Free				Date	Name	Customer-No.
TOLERANCE					Drawn	17.08.2017	S.Bölling
0~6	±0.10				Approved	17.08.2017	S.Bölling
6~30	±0.20						
30~120	±0.30						
120~400	±0.50	1	Update Dimension (page 5)	01.04.2019	M.Rosander		
DIM	Tol	Ⓢ	Drawn	17.08.2017	S.Bölling	<b>ASSMANN</b> <b>WSW components</b>	
Angle	±1°	Ⓢ	Drawn	17.08.2017	S.Bölling		
Angle	Tol	Id.	Modification	Date	Name		

Customer-No.		
ASSMANN WSW-No.		ACOVSUB-50NB13
Drawing-No.		ASS_5254_CO
Replace	rev01	Sheet 5/5