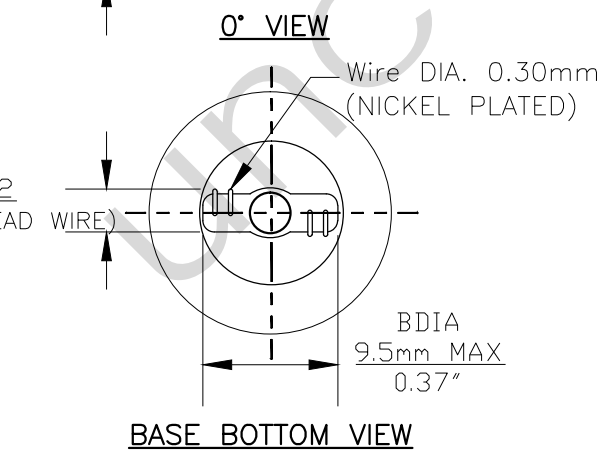
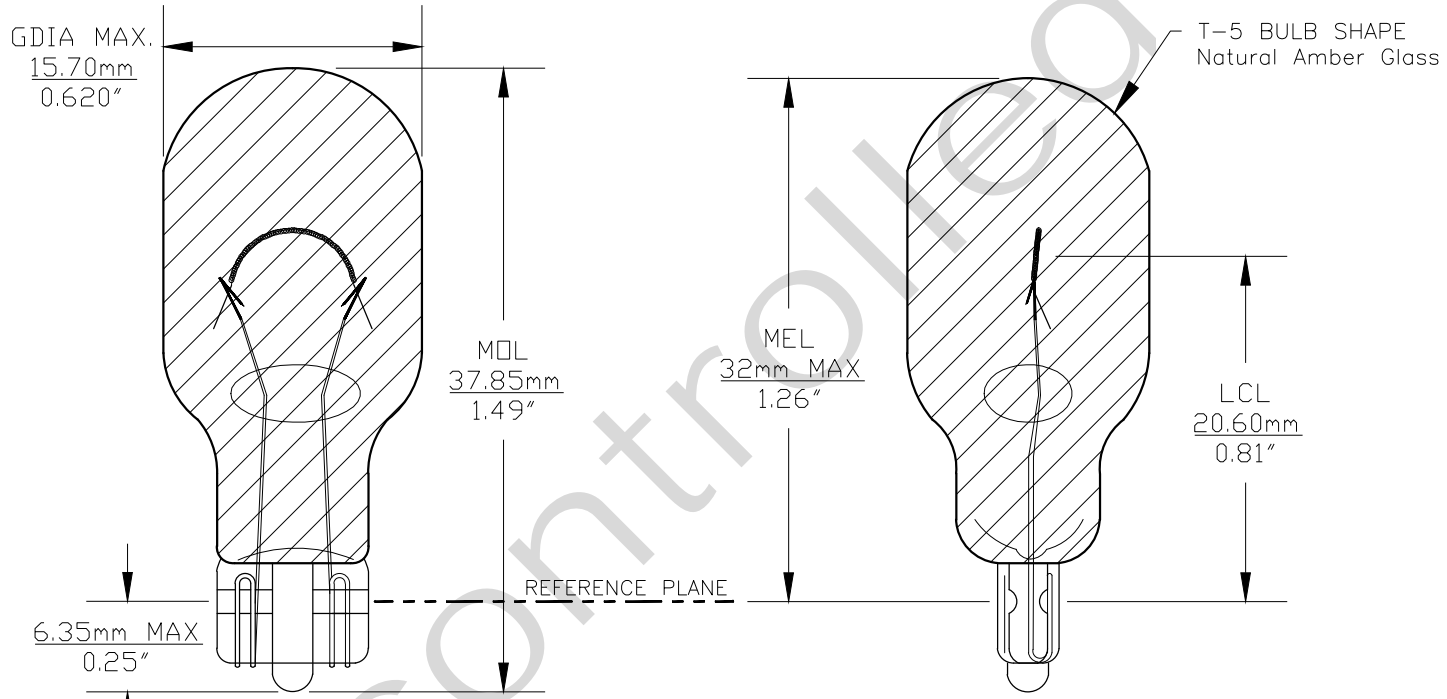




PART NO.	BASE TYPE	DESIGN VOLTS	DESIGN AMPS	MSCD	FILAMENT TYPE	AVERAGE LIFE HOURS	REVISIONS			
							REV #	DESCRIPTION	DATE	APPROVED
921NA	Glass Wedge (T-5)	12.8V	1.4±10%	15.8±30%	C-2R	1000	1	ISSUED	06/26/2014	R.M.



Note: Made according to SAE specifications

UNLESS OTHERWISE SPECIFIED: DIMENSIONS ARE IN INCHES TOLERANCES		CEC INDUSTRIES LTD	
DECIMALS	ANGULAR	599 BOND STREET LINCOLNSHIRE, IL 60069	
.XX ± .05	± 0.5°	TITLE LIGHT BULB NO. 921NA	
.XXX ± .010		SIZE A	FSCM NO. 921NA
FRACTIONAL	± 1/64	DWG NO.	REV 1
DRAWN ROSE MEDINA	DATE 06/26/2014	SCALE	PLOT SCALE SHEET 1 OF 1
CHECKED		FILE 921NA.pdf	DRAWING NOT TO SCALE