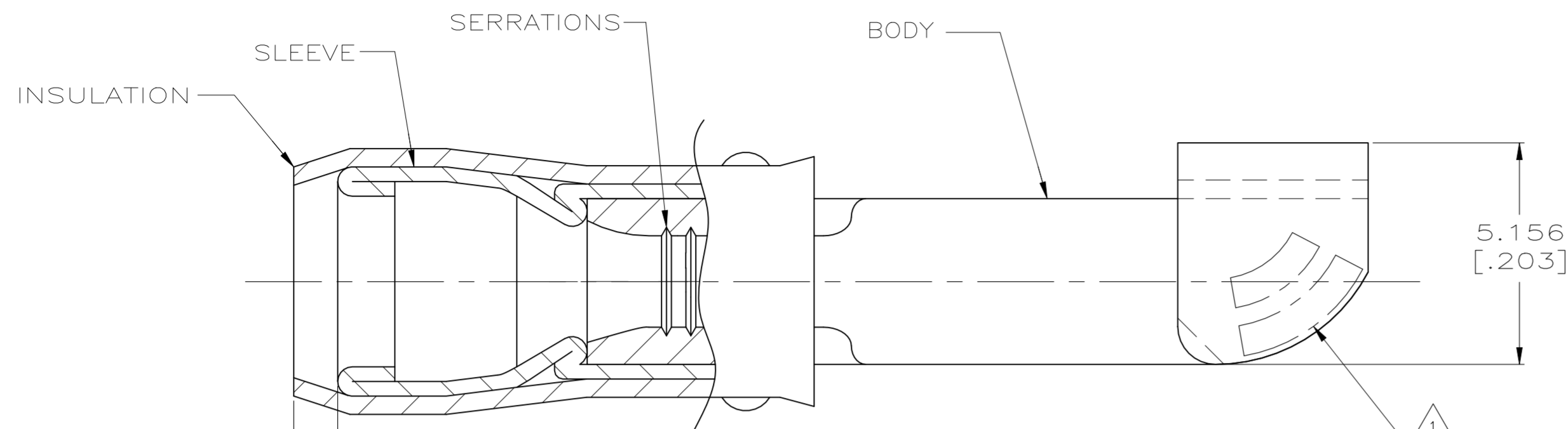


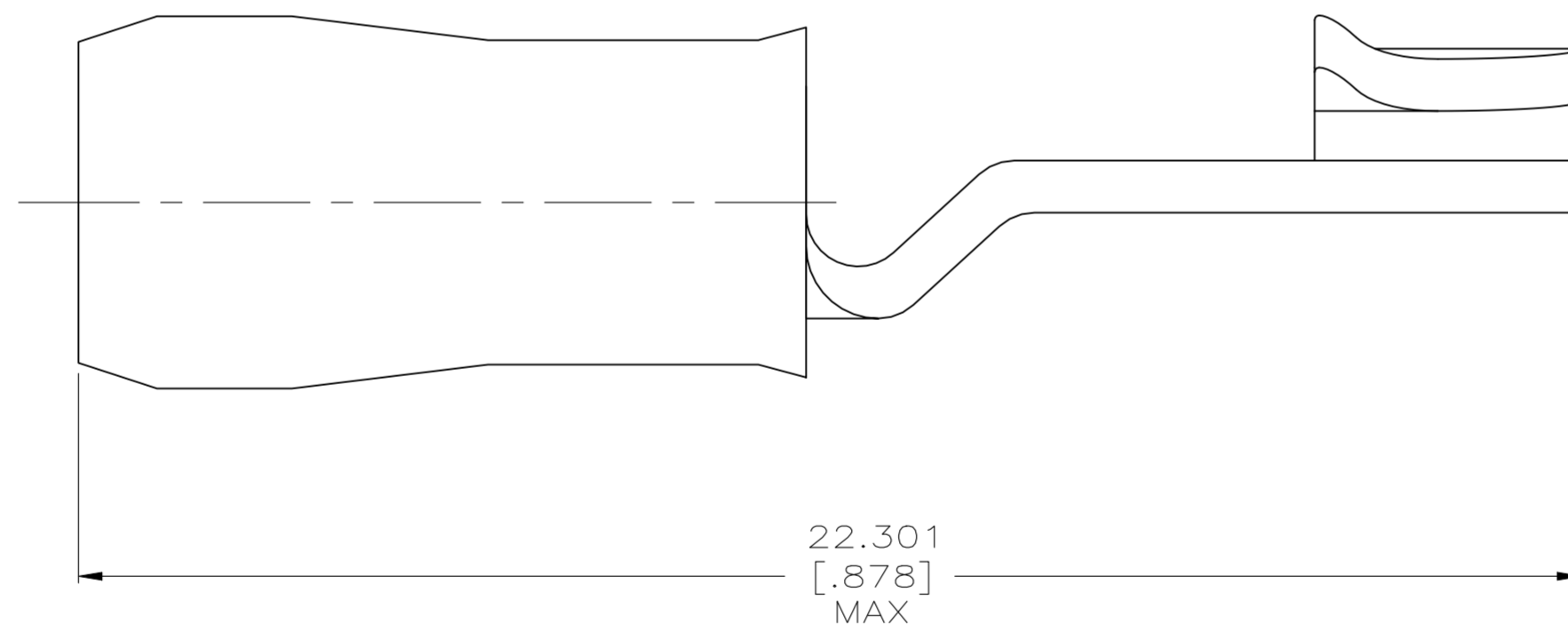
REVISIONS					
P	LTR	DESCRIPTION	DATE	DWN	APVD
	A1	ECR-22-142968	13JUL2022	LP	DSC



AMP
WIRE RANGE

22-16 AWG
SOLID OR STRANDED

- 1 STAMP AMP 22-18* APPROX AS SHOWN
WIRE RANGE IS 22-16 AWG
- 2 WIRE INSULATION DIAMETER:
Ø2.032[.080] TO Ø3.175[.125]
- 3 BODY MATERIAL THK: 0.787±0.051[.031±.002]
- 4 NOTE DELETED
- 5 MATERIAL:
BODY & SLEEVE - COPPER PER ASTM B152
INSULATION - NYLON
- 6 FINISH:
BODY & SLEEVE - NICKEL PLATE 0.00762[.000300]
MIN EXT THK PER SAE AMS-QQ-N-290
INSULATION COLOR - RED



1000	LOOSE PIECE	696451-1
QTY	PACKAGE TYPE	PART NO

AMP INCORPORATED CUSTOMER SERVICE SYSTEMS		MAX RECOMMENDED OPERATING TEMPERATURE: 105° C [221° F]	THIS DRAWING IS A CONTROLLED DOCUMENT.		DWN JR RUTH 04APR02	
FOR ADDITIONAL PRODUCT INFORMATION OR COPIES OF DRAWINGS AND TECHNICAL DOCUMENTS	PRODUCT INFORMATION CENTER 1-800-522-6752	VOLTAGE RATING: 300V MAX	DIMENSIONS: mm [INCHES]	TOLERANCES UNLESS OTHERWISE SPECIFIED:	CHK T MICHELLUTI 04APR02	
FOR APPLICATION TOOLING INFORMATION	TOOLING ASSISTANCE CENTER 1-800-722-1111	WIRE CROSS SECTIONAL AREA RANGE: 0.26-1.65mm²[509-3,260] CIR MILS SOLID OR STRANDED	0 PLC ± - 1 PLC ± - 2 PLC ± - 3 PLC ± 0.127[.005] 4 PLC ± -	APVD T MICHELLUTI 04APR02	NAME TERMINAL, PIDG™ KNIFE DISCONNECT, WIRE SIZE: 22-16 AWG	
FOR ORDER ENTRY	1-800-526-5142	THIS DRAWING IS A CONTROLLED DOCUMENT FOR AMP INCORPORATED. IT IS SUBJECT TO CHANGE AND THE CONTROLLING ENGINEERING ORGANIZATION SHOULD BE CONTACTED FOR THE LATEST REVISION.	MATERIAL 5	FINISH 6	APPLICATION SPEC -	
					PRODUCT SPEC -	SIZE A2
					WEIGHT -	CAGE CODE 00779
					CUSTOMER DRAWING	DRAWING NO C-696451
					SCALE 10:1	SHEET 1 OF 1
					REV A1	RESTRICTED TO -