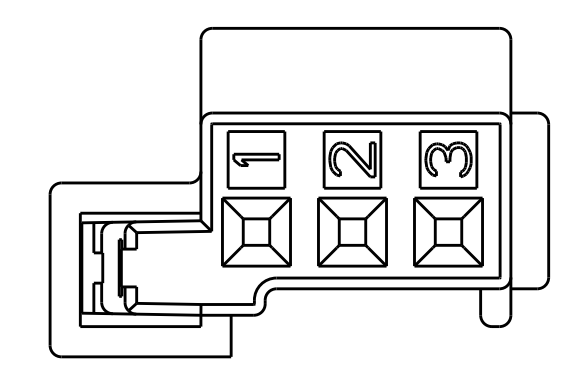
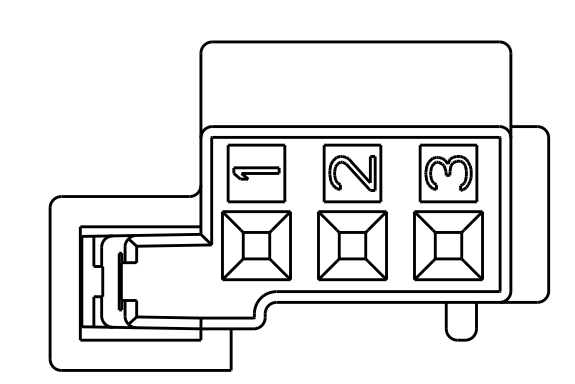


REVISIONS				
P.	LTN.	DESCRIPTION	DATE	APVD.
A		UPDATED VIEWS AND DIMENSIONS	18JAN2013	PR PR
A1		REVISED PER ECO-15-001850	10FEB2015	DD MB
A2		REVISED PER ECO-18-009997	26JUN2018	JMS AH

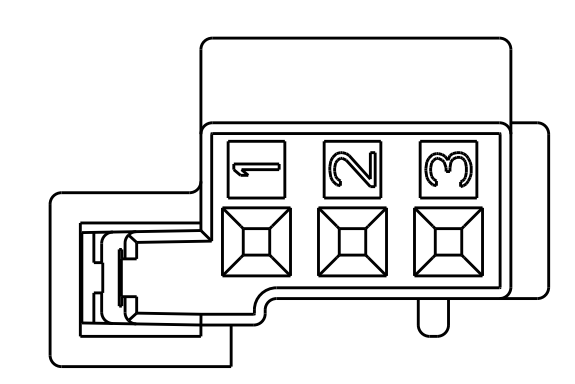
KEYING



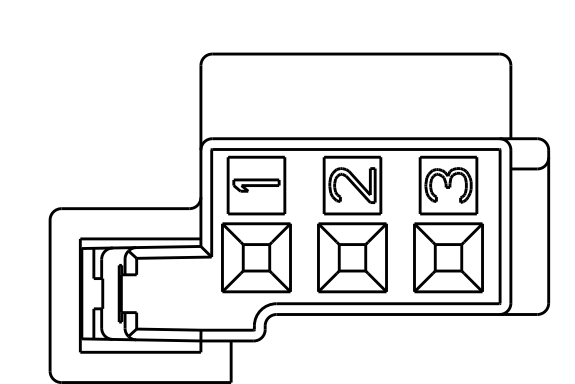
KEY CODE "A"  
SCALE 5:1



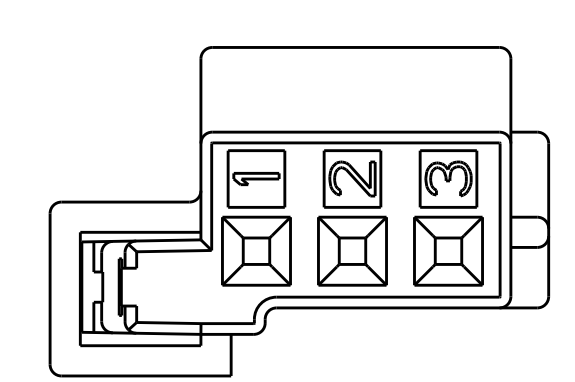
KEY CODE "B"  
SCALE 5:1



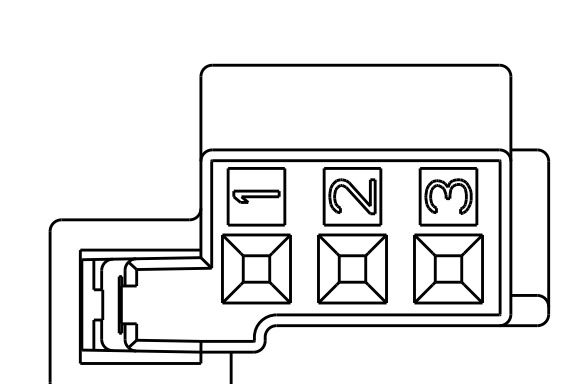
KEY CODE "C"  
SCALE 5:1



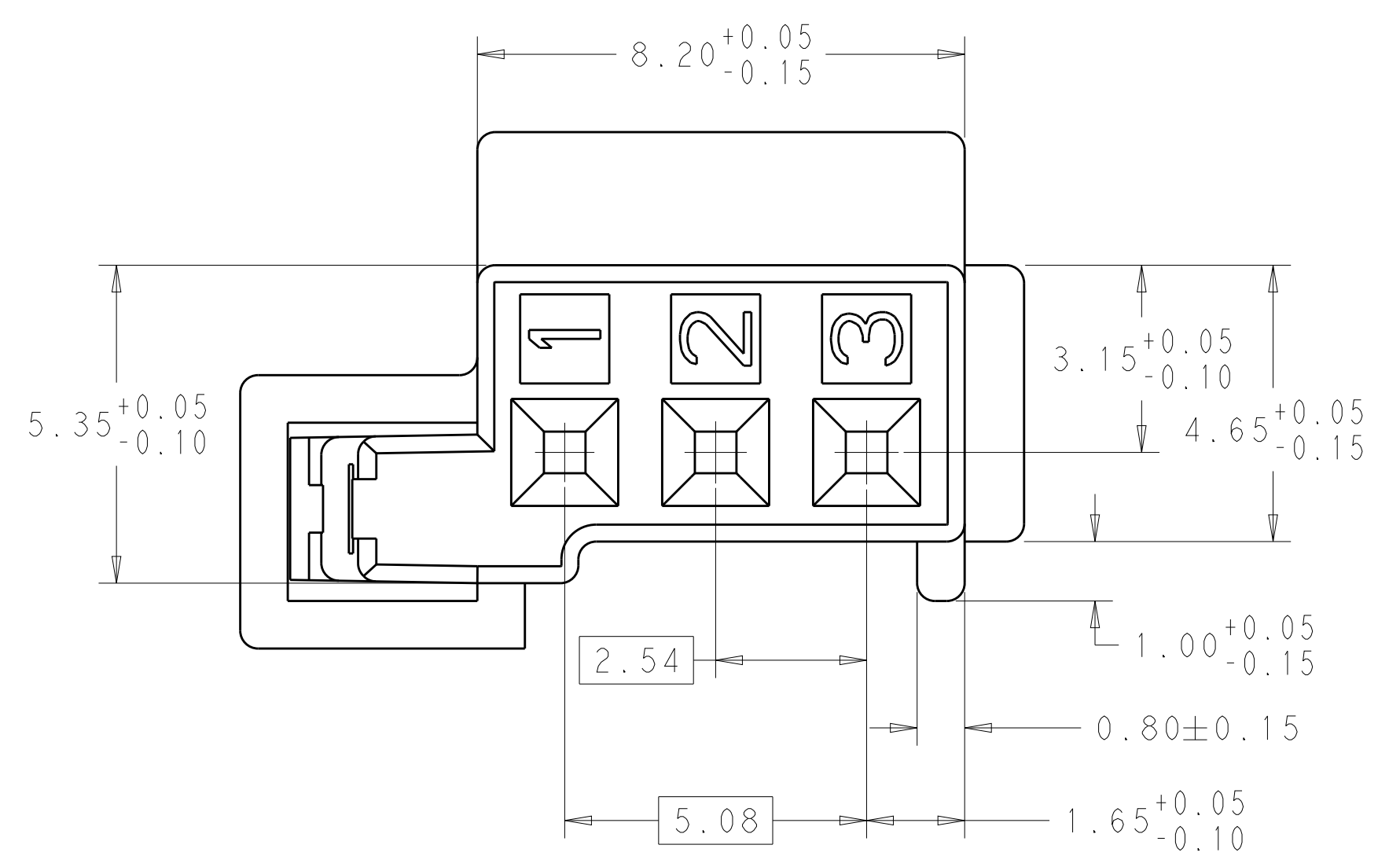
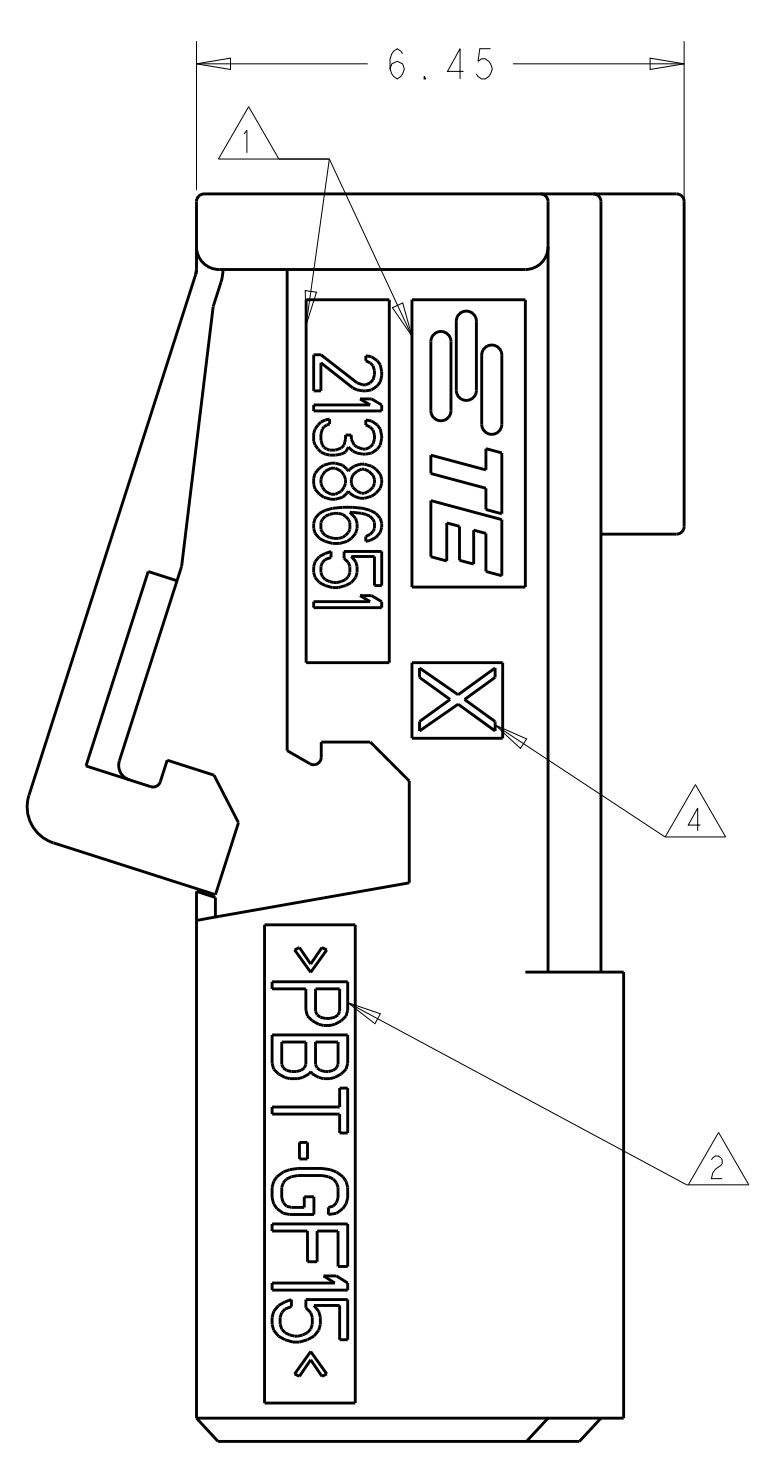
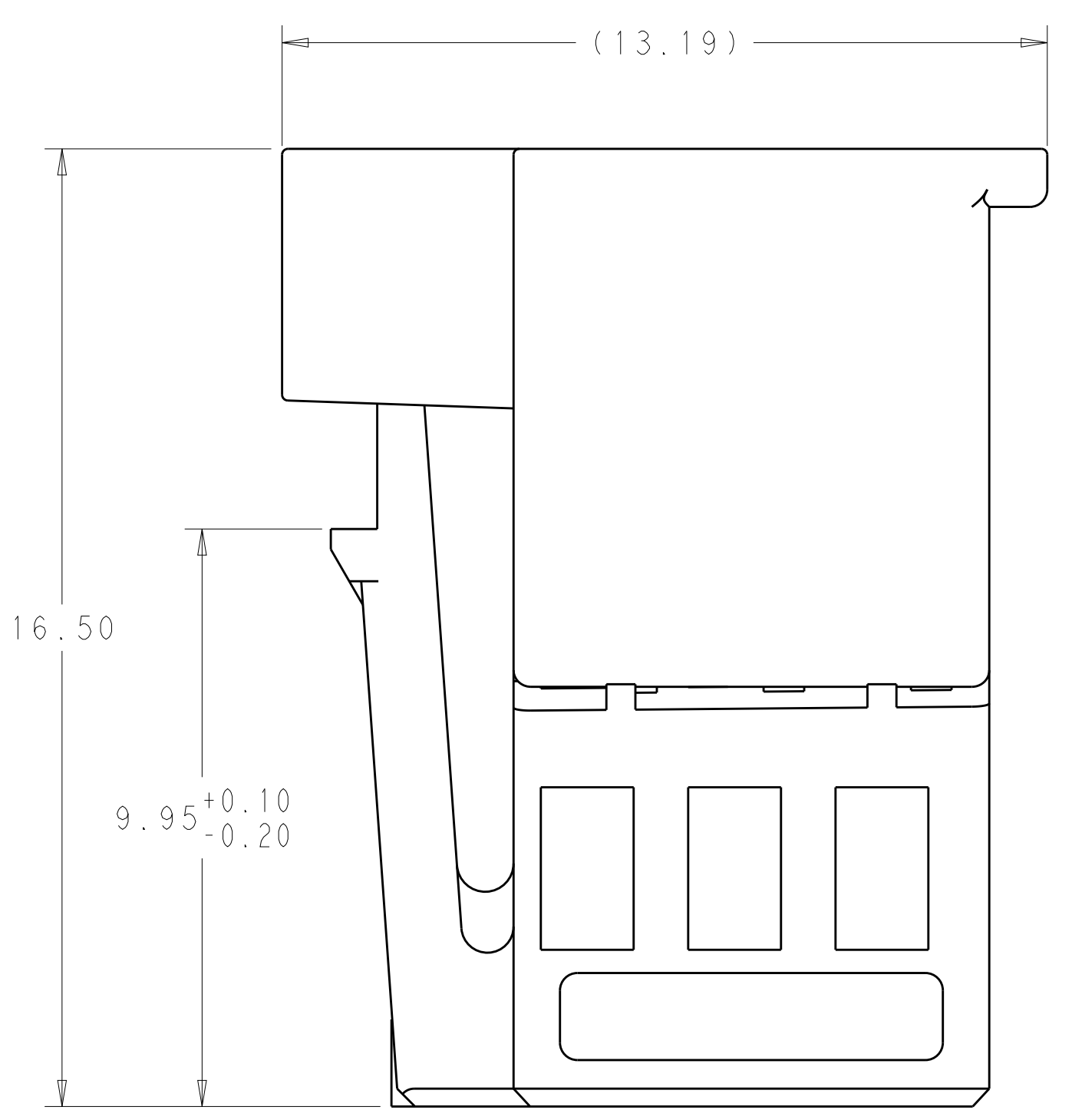
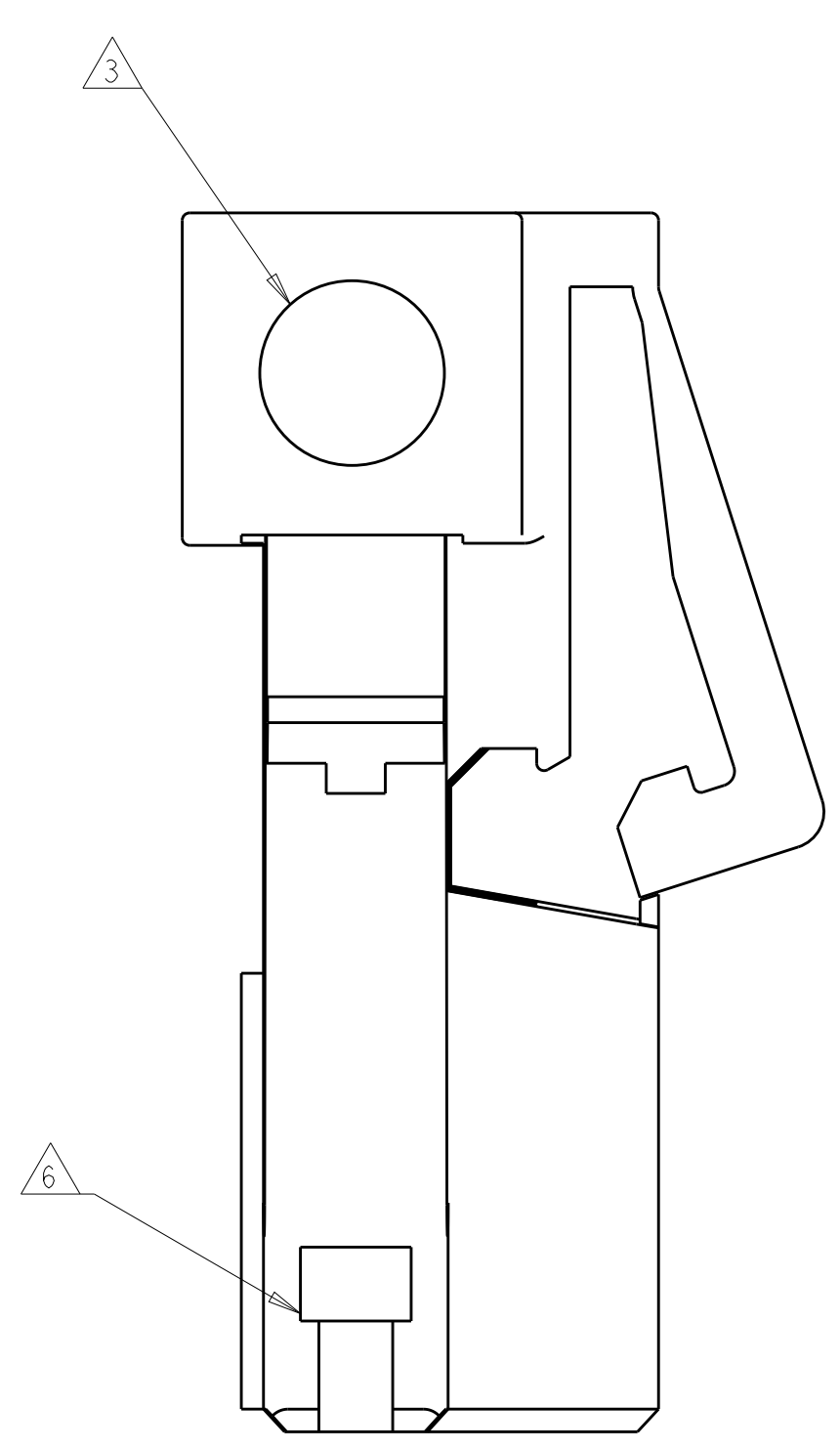
KEY CODE "D"  
SCALE 5:1



KEY CODE "E"  
SCALE 5:1



KEY CODE "F"  
SCALE 5:1



- NOTE(S):
- 1 COMPANY LOGO AND PART NUMBER
  - 2 MATERIAL IDENTIFIER
  - 3 DATE CODE WHEEL
  - 4 MOLD CAVITY ID

5. MAX WIRE SIZE RANGE FROM 0.75mm<sup>2</sup> FLR. SEE CABLE HARNESS FOR NUMBER OF CABLES. CURRENT CARRYING CAPACITY FOR CONTACT LOCATED IN MICRO QUADLOCK SYSTEM PRODUCT SPECIFICATION: 108-18030

- 6 OPTIONAL VOID CORING

PLUG HOUSING IN LOCKED POSITION (TPA ENGAGED)

UNMATE PLUG FROM HEADER WITH SCREW DRIVER  
RECOMMENDED SIZE: 50 X 2.5mm

PUSH DOWN IN SPACING BETWEEN PLUG LATCH WINDOW AND HEADER TO DEPRESS LATCH THEN ROTATE SCREWDRIVER TOWARDS HEADER TO REMOVE PLUG FROM HEADER ASSEMBLY

GREEN	E	PBT-GF15	3 POSN MQS PLUG HOUSING	5-2138651-1
VIOLET	D	PBT-GF15		4-2138651-1
NATURAL	B	PBT-GF15		2-2138651-1
BLACK	A	PBT-GF15		1-2138651-1
COLOR	KEY	MATERIAL	DESCRIPTION	TE P/N

THIS DRAWING IS A CONTROLLED DOCUMENT. DWN: R. SANTHOSH 12OCT2011  
 CHK: P. ROMAN 12OCT2011  
 APVD: P. ROMAN 12OCT2011

**TE** TE Connectivity

NAME: PLUG HOUSING, 3P MQS UNSEALED (1-PIECE)

PRODUCT SPEC: -  
 APPLICATION SPEC: -  
 WEIGHT: -  
 CUSTOMER DRAWING

SIZE: A1 CAGE CODE: 2138651 DRAWING NO: 100779  
 SCALE: 10:1 SHEET: 1 OF 1 REV: A2