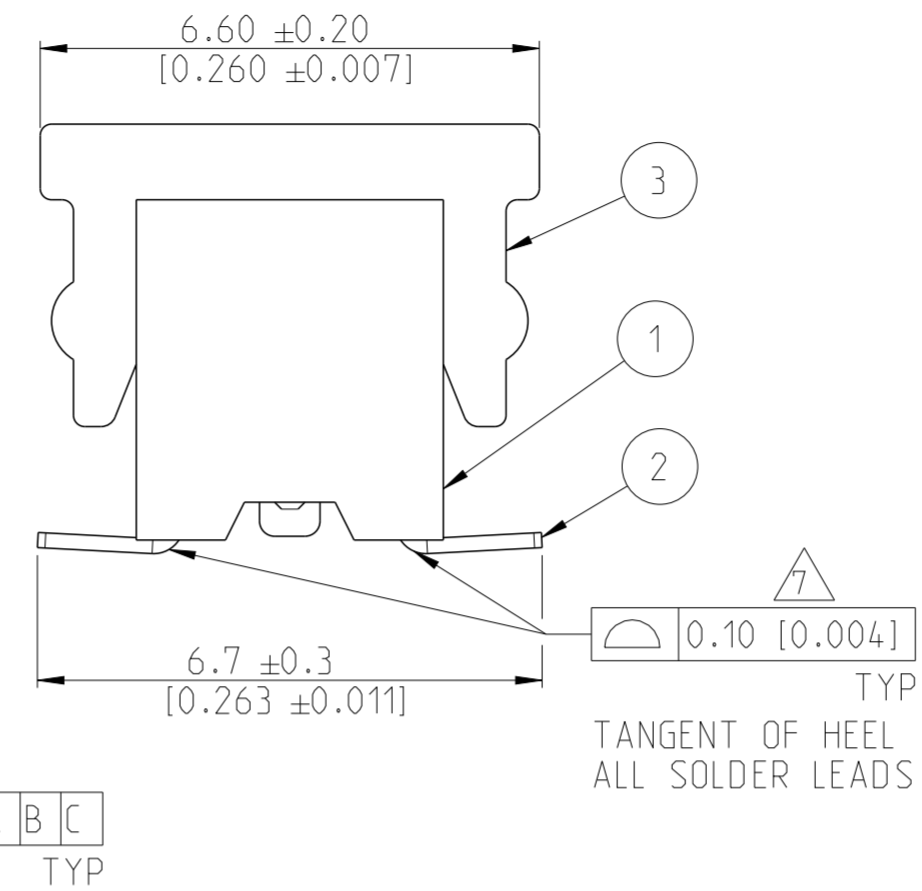
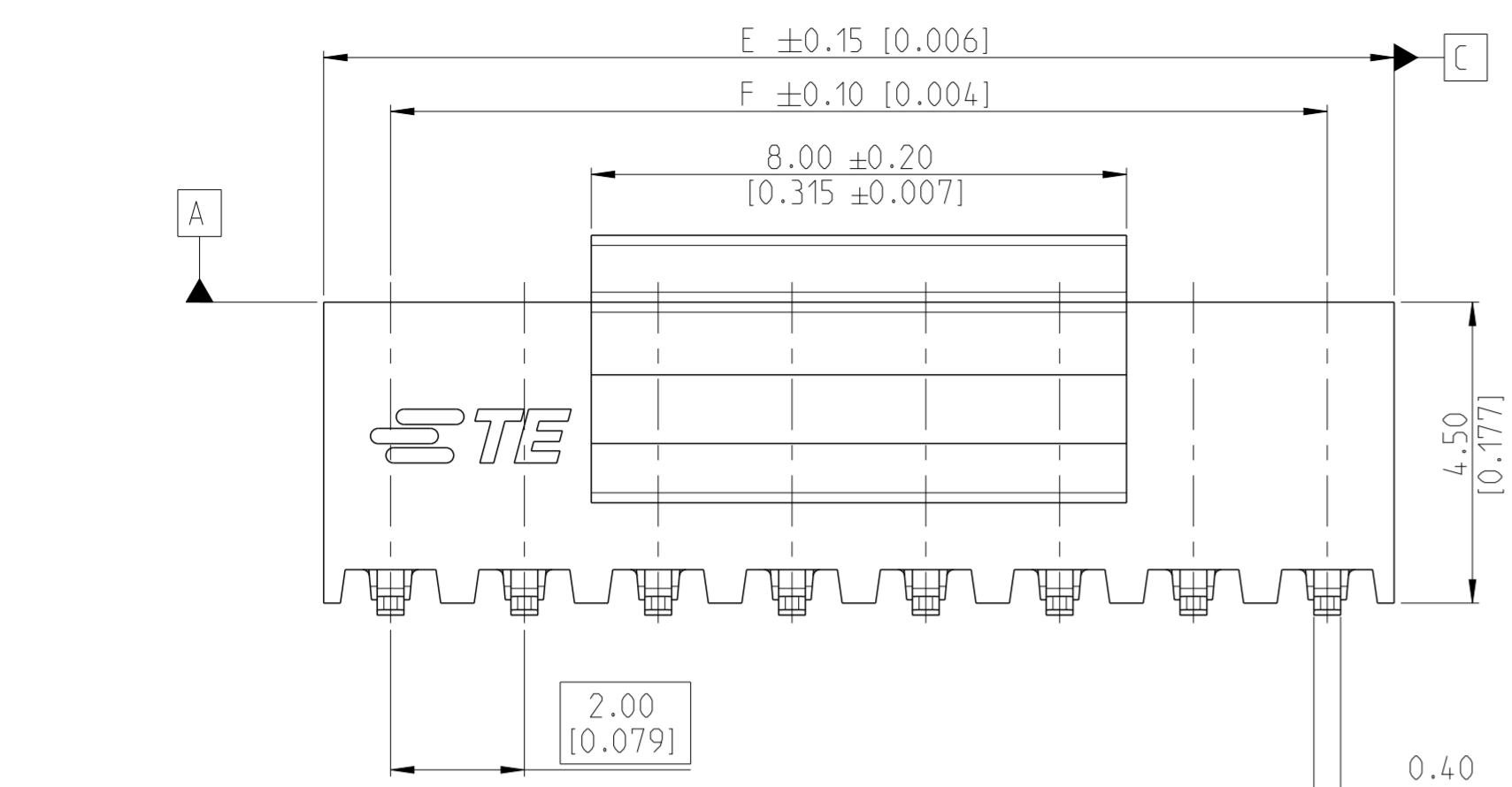


REVISIONS					
P	LTR	DESCRIPTION	DATE	DWN	APVD
A		X-2307819-X RELEASED FOR PRODUCTION	10JUL2019	AY	PS
A1		RELEASE GOLD PLATED VERSIONS TO PRODUCTION	04SEP2019	AY	PS
A2		RELEASE TIN PLATED VERSIONS TO PRODUCTION	14APR2020	AY	PS
A3		SMART PN DETAILS ADDED	19APR2022	SCB	PS

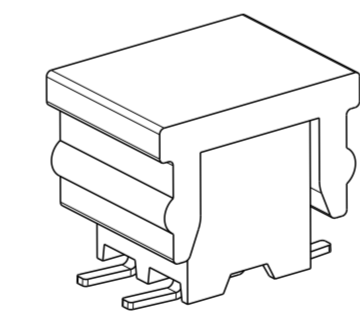
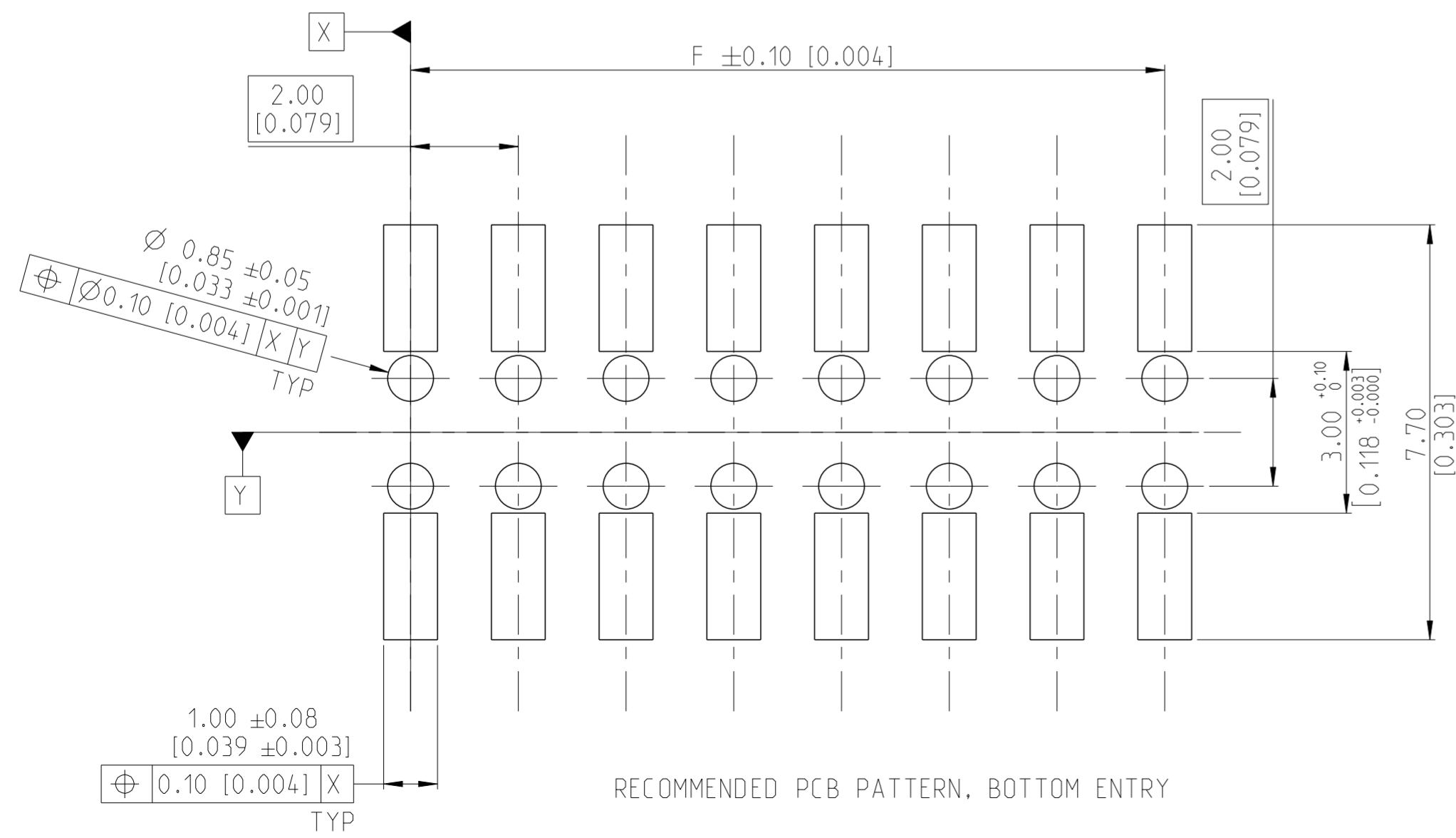
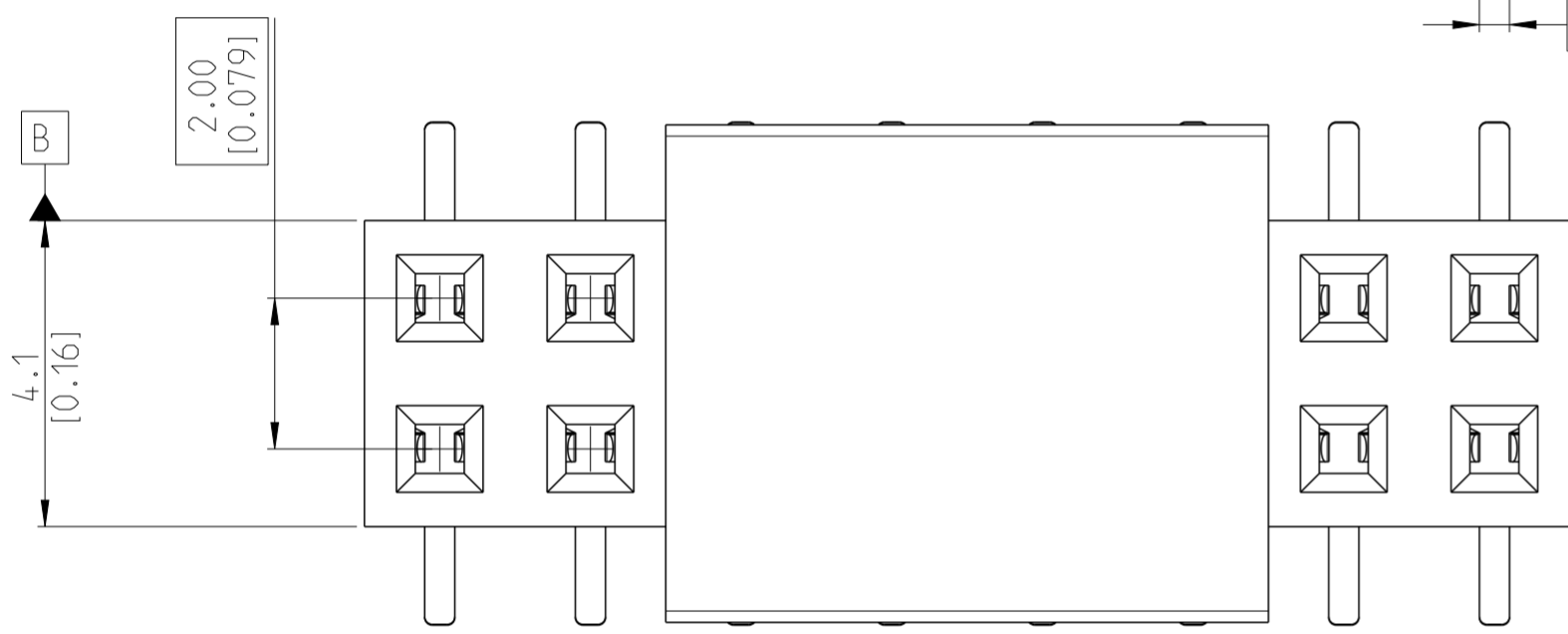
NOTES:

- 1 MATERIAL:
HOUSING & CAP: LCP, UL94 V0, BLACK
CONTACT: PHOSPHOR BRONZE, 0.20mm THICK.
- 2 ALL OVER 3-5µm TIN OVER MIN 1.27µm NICKEL UNDERPLATE
- 3 CONTACT AREA: MIN 0.1µm GOLD
SOLDER TAIL: 3-5µm TIN
UNDERPLATING: MIN 1.27µm NICKEL ALL OVER
- 4 CONTACT AREA: MIN 0.38µm GOLD
SOLDER TAIL: 3-5µm TIN
UNDERPLATING: MIN 1.27µm NICKEL ALL OVER
- 5 CONTACT AREA: MIN 0.76µm GOLD
SOLDER TAIL: 3-5µm TIN
UNDERPLATING: MIN 1.27µm NICKEL ALL OVER
- 6 N = NO. OF POSITIONS PER CONNECTOR.

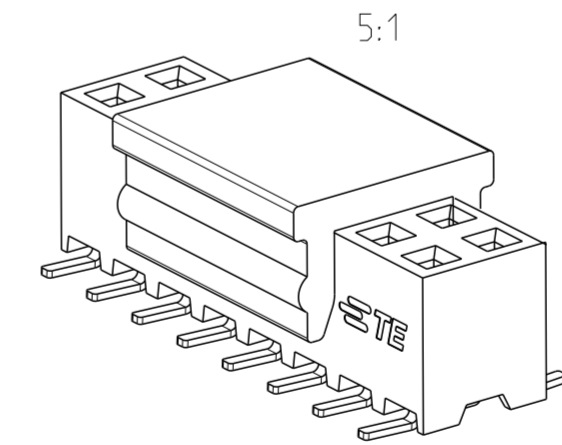
"N"	FG P/N	CO-PLANARITY
4 TO 20	D02 TO D10	0.08
22 TO 40	D11 TO D20	0.10
42 TO 50	D21 TO D25	0.15



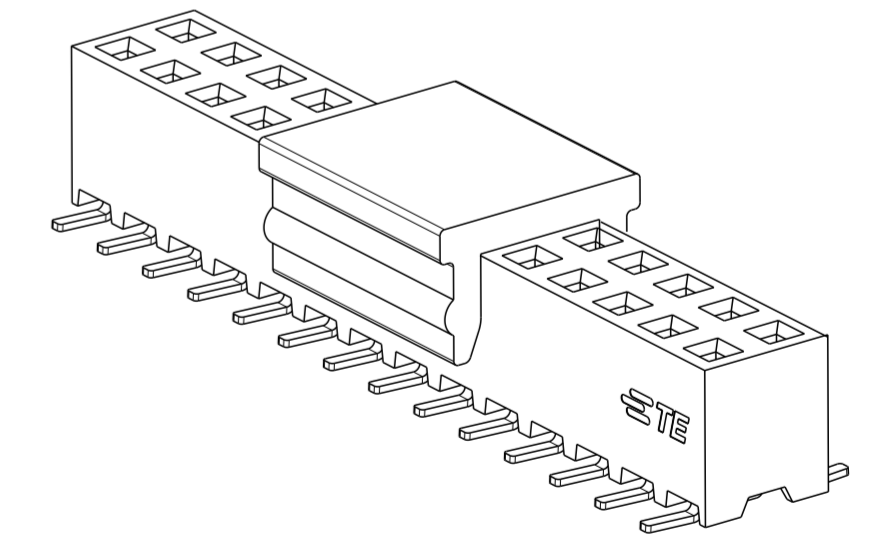
P&P CAP	3
CONTACT	2
HOUSING	1
DESCRIPTION	ITEM



2MM-R-D02-VS-00-T-TRP



2MM-R-D08-VS-00-T-TRP



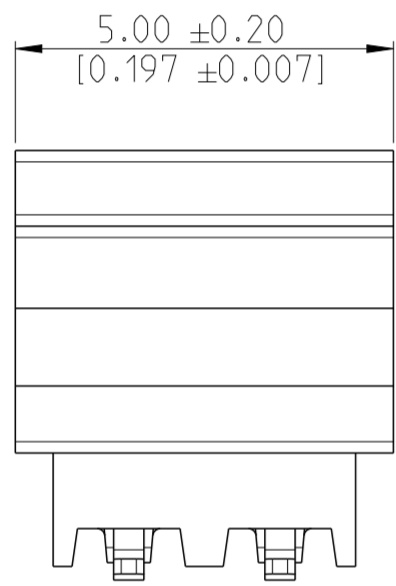
2MM-R-D14-VS-00-T-TRP

THIS DRAWING IS A CONTROLLED DOCUMENT.		DWN 23NOV2017 SOURAV DAS	TE Connectivity	
DIMENSIONS: mm [inch]		CHK 02NOV2018 SHARATH S		
TOLERANCES UNLESS OTHERWISE SPECIFIED:		APVD 02NOV2018 PRASHANTH S	NAME AMPMODU 2mm BtB RECEPTACLE, DUAL ROW, VERTICAL, SMD	
0 PLC ±		PRODUCT SPEC	108-64040	
1 PLC ±0.2		APPLICATION SPEC	114-32186	
2 PLC ±0.1 [0.008]		WEIGHT	-	
3 PLC ± [0.004]		SCALE	10:1	
4 PLC ±		SHEET	1 OF 3	
ANGLES ±2°		REV	A3	
FINISH		CUSTOMER DRAWING		
MATERIAL SEE NOTES		DRAWING NO C-2307816		
SEE NOTES		RESTRICTED TO		

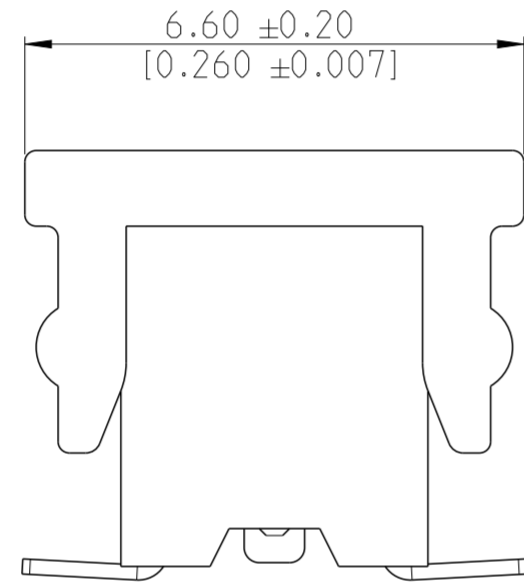
REVISIONS

P	LTR	DESCRIPTION	DATE	DWN	APVD
-	-	SEE SHEET 1	-	-	-

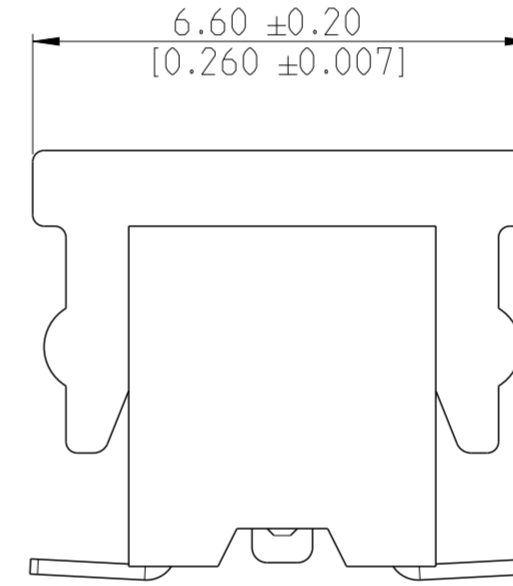
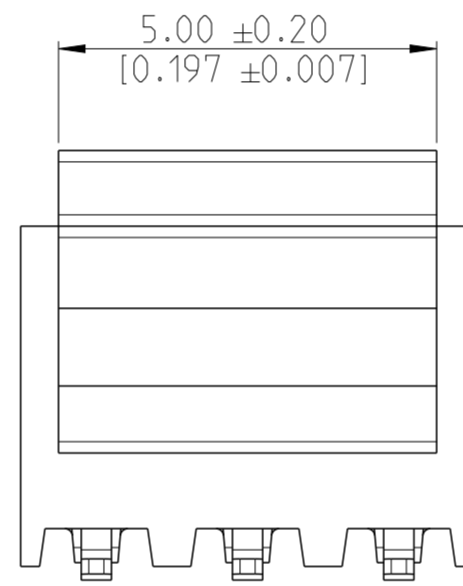
MATING SIDE PLATING (FINISH)	BTB RECEPTACLE BASE NUMBERS	
	TAPE & REEL PKG W/ CAP	TUBE PKG W/ CAP
TIN 2	2MM-R-D__-VS-00-T-TRP	2MM-R-D__-VS-00-T-TBP
GOLD FLASH 0.1µm 3	2MM-R-D__-VS-00-F-TRP	2MM-R-D__-VS-00-F-TBP
GOLD 0.38µm 4	2MM-R-D__-VS-00-M-TRP	2MM-R-D__-VS-00-M-TBP
GOLD 0.76µm 5	2MM-R-D__-VS-00-H-TRP	2MM-R-D__-VS-00-H-TBP



2MM-R-D02-VS-00-T-TRP



2MM-R-D03-VS-00-T-TRP



48	50	50	2MM-R-D25-VS-00-T-TRP
46	48	48	2MM-R-D24-VS-00-T-TRP
44	46	46	2MM-R-D23-VS-00-T-TRP
42	44	44	2MM-R-D22-VS-00-T-TRP
40	42	42	2MM-R-D21-VS-00-T-TRP
38	40	40	2MM-R-D20-VS-00-T-TRP
36	38	38	2MM-R-D19-VS-00-T-TRP
34	36	36	2MM-R-D18-VS-00-T-TRP
32	34	34	2MM-R-D17-VS-00-T-TRP
30	32	32	2MM-R-D16-VS-00-T-TRP
28	30	30	2MM-R-D15-VS-00-T-TRP
26	28	28	2MM-R-D14-VS-00-T-TRP
24	26	26	2MM-R-D13-VS-00-T-TRP
22	24	24	2MM-R-D12-VS-00-T-TRP
20	22	22	2MM-R-D11-VS-00-T-TRP
18	20	20	2MM-R-D10-VS-00-T-TRP
16	18	18	2MM-R-D09-VS-00-T-TRP
14	16	16	2MM-R-D08-VS-00-T-TRP
12	14	14	2MM-R-D07-VS-00-T-TRP
10	12	12	2MM-R-D06-VS-00-T-TRP
8	10	10	2MM-R-D05-VS-00-T-TRP
6	8	8	2MM-R-D04-VS-00-T-TRP
4	6	6	2MM-R-D03-VS-00-T-TRP
2	4	4	2MM-R-D02-VS-00-T-TRP
DIM "F"	DIM "E"	N	SMART PN

THIS DRAWING IS A CONTROLLED DOCUMENT.

DWN SOURAV DAS 23NOV2017

CHK SHARATH S 02NOV2018

APVD PRASHANTH S 02NOV2018

PRODUCT SPEC

108-64040

APPLICATION SPEC

114-32186

WEIGHT -

CUSTOMER DRAWING

TE Connectivity

NAME AMPMODU 2mm BTB RECEPTACLE, DUAL ROW, VERTICAL, SMD

SIZE A2 CAGE CODE 100779 DRAWING NO C-2307816 RESTRICTED TO -

SCALE 10:1 SHEET 2 OF 3 REV A3

DIMENSIONS:	TOLERANCES UNLESS OTHERWISE SPECIFIED:
mm [inch]	
0 PLC	±
1 PLC	±0.2
2 PLC	±0.1 [0.008]
3 PLC	± [0.004]
4 PLC	±
ANGLES	±2°
FINISH	

MATERIAL SEE NOTES

SEE NOTES

REVISIONS

P	LTR	DESCRIPTION	DATE	DWN	APVD
-		SEE SHEET 1	-	-	-

SMART PART NUMBER
 2MM - R - D__ - VS - 00 - __ - __

PRODUCT SERIES
 2MM AMPMODU 2mm SERIES

PACKAGING
 TRP TAPE AND REELING WITH CAP
 TBP TUBE WITH CAP

GENDER / TYPE
 R RECEPTACLE

PLATING
 T TIN
 F GOLD FLASH
 M 15 μm GOLD
 H 30 μm GOLD

NUMBER OF ROWS
 D DOUBLE ROW


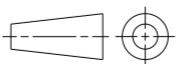
TAIL LENGTH
 00 SURFACE MOUNT TECHNOLOGY

NUMBER OF PINS PER ROW
 XX 02 THROUGH 25
 (ENTER TWO DIGITS)

ORIENTATION & TERMINATION
 VS VERTICAL SURFACE MOUNT TECHNOLOGY

SMART PN EXAMPLES:

- 2MM-R-D02-VS-00-T-TRP :
 AMPMODU 2mm, RECEPTACLE, DOUBLE ROW, 02 POSITION PER ROW, VERTICAL SURFACE MOUNT TECHNOLOGY, TIN PLATED, TAPE AND REEL PACKAGING WITH CAP
- 2MM-R-D25-VS-00-H-TBP :
 AMPMODU 2mm, RECEPTACLE, DOUBLE ROW, 25 POSITION PER ROW, VERTICAL SURFACE MOUNT TECHNOLOGY, 30 μm GOLD PLATED, TUBE PACKAGING WITH CAP

THIS DRAWING IS A CONTROLLED DOCUMENT.		DWN SOURAV DAS 23NOV2017	 TE Connectivity	
		CHK SHARATH S 02NOV2018		
DIMENSIONS: mm [inch]	TOLERANCES UNLESS OTHERWISE SPECIFIED:	APVD PRASHANTH S 02NOV2018	NAME AMPMODU 2mm BtB RECEPTACLE, DUAL ROW, VERTICAL, SMD	
	0 PLC ± 1 PLC ±0.2 2 PLC ±0.1 [0.008] 3 PLC ± [0.004] 4 PLC ± ANGLES ±2°	PRODUCT SPEC 108-64040	RESTRICTED TO	
MATERIAL SEE NOTES	FINISH SEE NOTES	APPLICATION SPEC 114-32186	SIZE A2	CAGE CODE 00779
		WEIGHT -	DRAWING NO C-2307816	SCALE 10:1
		CUSTOMER DRAWING	SHEET 3 OF 3	REV A3