

## Device connector, rear mounting - RC-19P1NX2H0JS - 1602740

Please be informed that the data shown in this PDF Document is generated from our Online Catalog. Please find the complete data in the user's documentation. Our General Terms of Use for Downloads are valid (<http://phoenixcontact.com/download>)




Device connector for rear wall, straight, shielded: yes, Screw locking, M23, Axial O-ring, Central fastening M25 x 1.5, Panel thickness min.: 0.8 mm, Panel thickness max.: 6.5 mm

The figure shows the 12-pos. product version



### Key Commercial Data

Packing unit	10 pc
GTIN	 4 046356 241304
GTIN	4046356241304

### Technical data

#### Housing data

Housing material	Metal
Type of locking	Screw locking
Degree of protection (when plugged in)	IP67
Thread type	M23

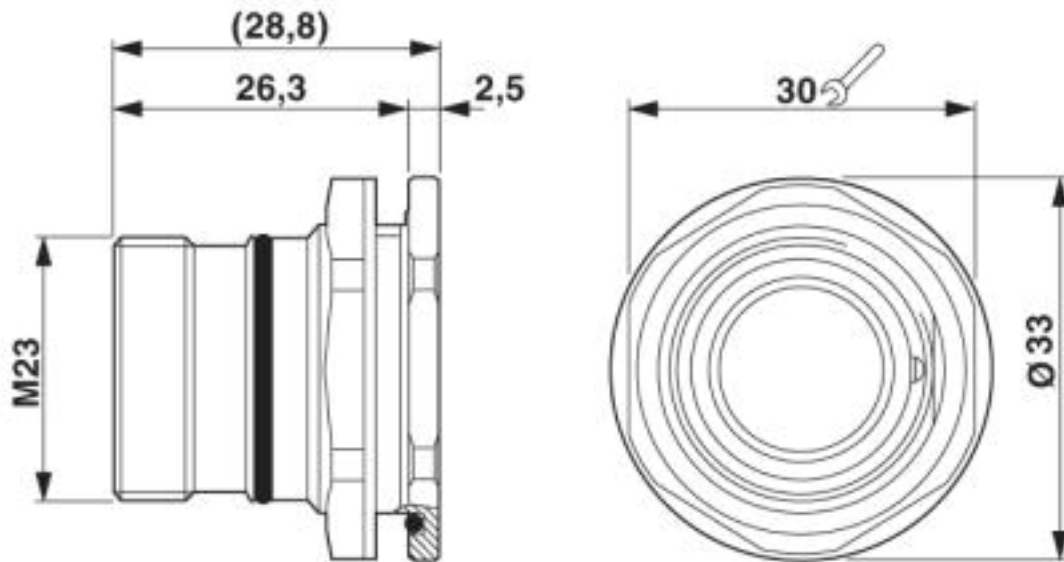
#### Environmental Product Compliance

China RoHS	Environmentally Friendly Use Period = 50
	For details about hazardous substances go to tab "Downloads", Category "Manufacturer's declaration"

### Drawings

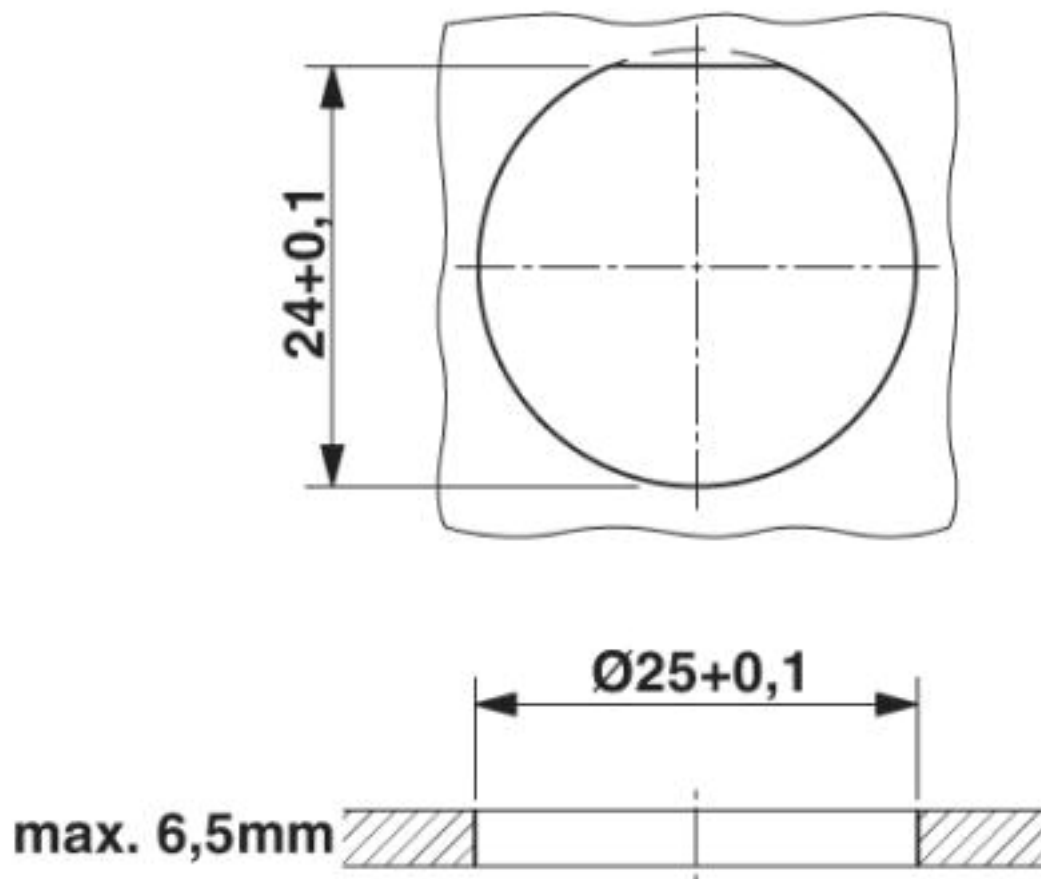
## Device connector, rear mounting - RC-19P1NX2H0JS - 1602740

Dimensional drawing



## Device connector, rear mounting - RC-19P1NX2H0JS - 1602740

Dimensional drawing



### Installation dimensions

---

Phoenix Contact 2019 © - all rights reserved  
<http://www.phoenixcontact.com>

PHOENIX CONTACT GmbH & Co. KG  
Flachsmarktstr. 8  
32825 Blomberg  
Germany  
Tel. +49 5235 300  
Fax +49 5235 3 41200  
<http://www.phoenixcontact.com>