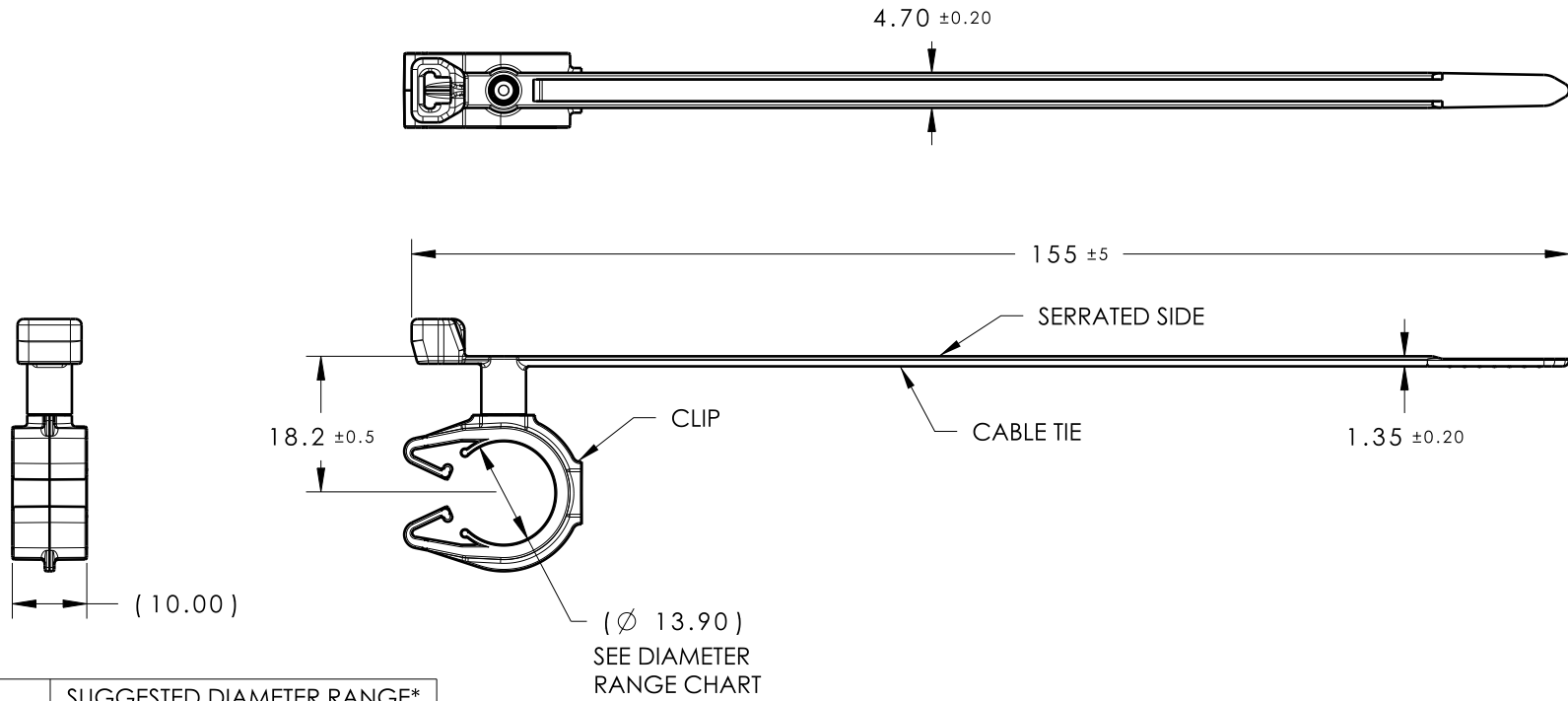


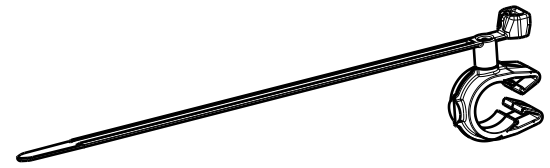
Revision Level			Revision Record	Changed	Date	Approved	Date
Drawing	State	Part					
02.1	Design Release	-	SEE ECN# 015460	EJH	10/1/19	NHK	10/2/19



TYPE	SUGGESTED DIAMETER RANGE*
HARNESS	13.0MM - 15.0MM
HOSE	13.0MM - 15.0MM
HARD PIPE/TUBE	14.0MM - 15.8MM

\*RECOMMENDED SIZES MAY DIFFER DEPENDING ON THE APPLICATION, PRODUCT REQUIREMENTS AND MATERIALS USED

PATENTS: US D822,476S EU 003864313 CN 304373914S



ISOMETRIC VIEW  
SCALE 1:2

GLOBAL PART NAME	BUNDLE RANGE	CABLE TIE			CLIP**		
		DRAWING	MATERIAL	COLOR	DRAWING	MATERIAL	COLOR
T50SVC MOC14M-PA66HIRHSUV-BK	2 TO 50	14-0606-011-CSU	PA66HIRHSUV	BLACK	16-0320-002-CSU	PA66HIRHSUV	BLACK

Material  
SEE CHART  
COLOR: SEE CHART

Units millimeters  
Tolerance defined on each dimension

The copyright of this drawing is reserved by HellermannTyton. It is issued on condition that it is not reproduced, copied or disclosed to a third party, either wholly or in part, without the consent of HellermannTyton.

Drawn JMC 5/21/19  
Approved EJF 5/21/19  
**HellermannTyton**  
North America  
Email: corp@htamericas.com  
Web: www.hellermann.tyton.com

Article/Type-No T50SVC MOC14M  
Title T50SVC TIE STRAP COUPLED TO 14MM MOC  
Drawing-No PRODUCTION : Phase  
**16-0320-202-CSU**

Scale 1:1  
Project Number 16-0315  
Format AH  
Sheet 1/1