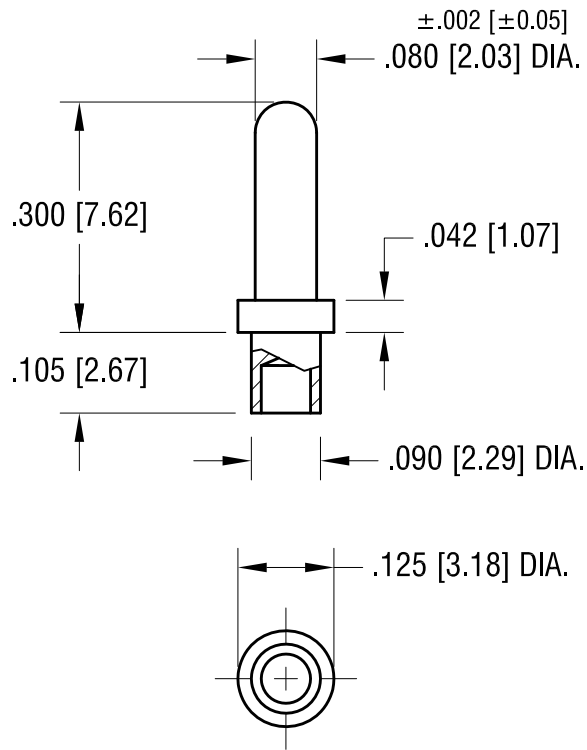


THIS DOCUMENT IS THE PROPERTY OF
KEYSTONE ELECTRONICS CORP. AND
SHALL NOT BE REPRODUCED, DISTRIBUTED
OR USED AS A BASIS FOR MANUFACTURE
WITHOUT PRIOR WRITTEN PERMISSION
FROM KEYSTONE ELECTRONICS CORP.

ACTUAL SIZE



NOTE:
1. MOUNTING HOLE .094 [2.38] DIA.

KEYSTONE ELECTRONICS CORP.			
www.keyelco.com • NEW HYDE PARK, NY 11040 • Tel (516) 328-7500			
PART NAME		MICRO PIN, SWAGE MOUNT	
MATERIAL		BRASS	
FINISH		DRN BY	DATE
GOLD PLATE		BOONE	2.22.07
		APP'D	SCALE
		LN	4X
TOLERANCES		INCH	[MM]
DECIMAL		$\pm .005$	[± 0.13]
ANGULAR		$\pm 1^\circ$	
UNLESS OTHERWISE SPECIFIED			
DATE	DESCRIPTION	REV.	C
4.16.08	CHANGE AS PER ECN 08-101	A	DWG NO.
			1376-2