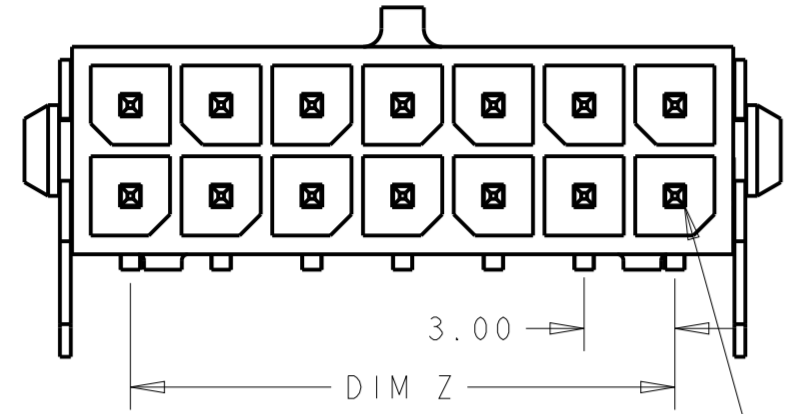
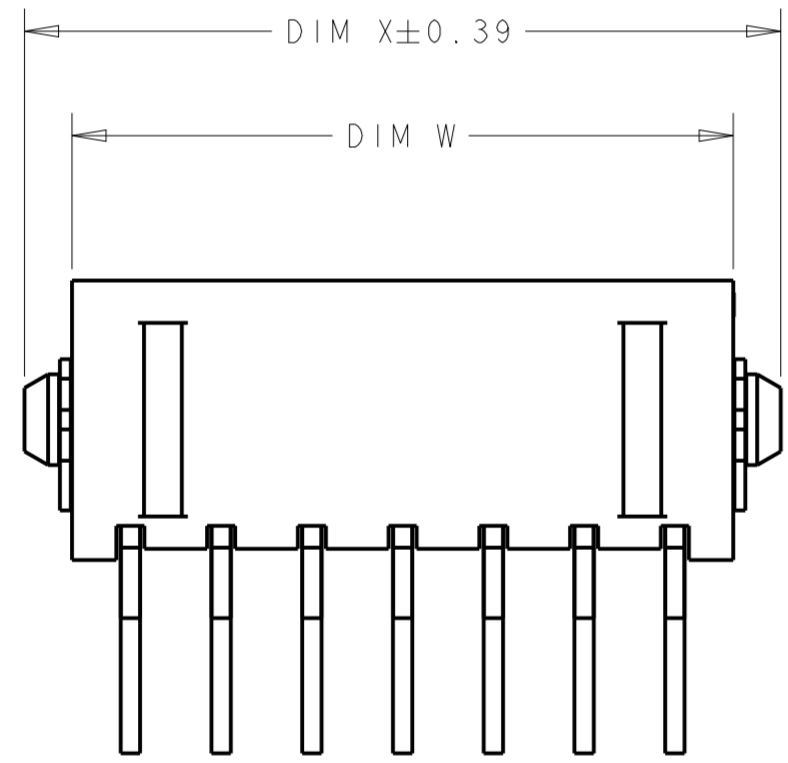
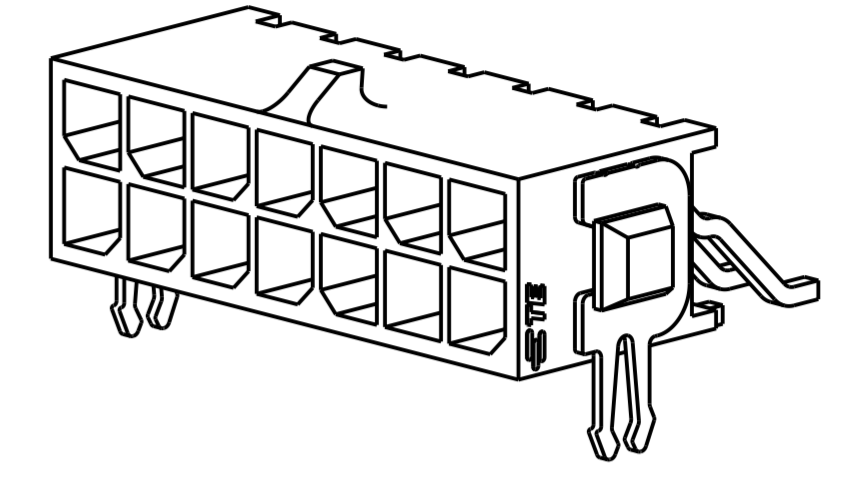
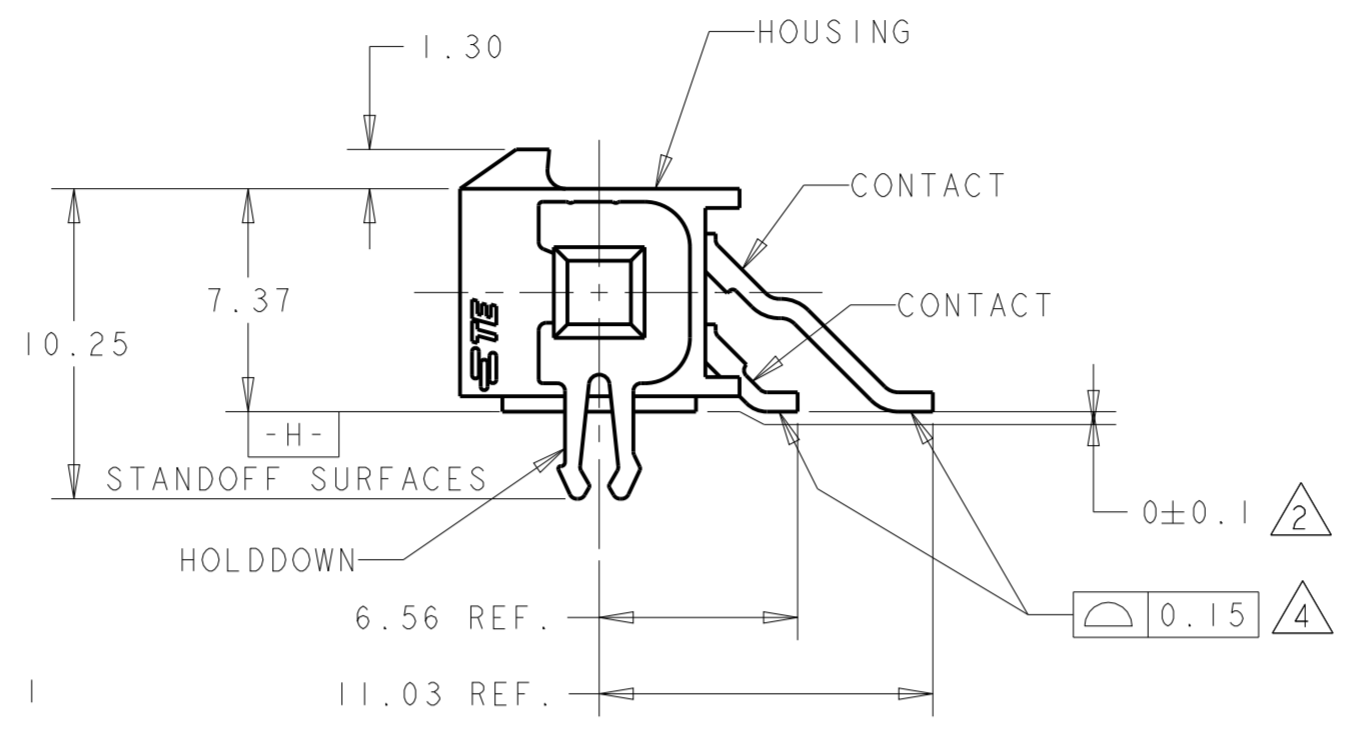


THIS DRAWING IS UNPUBLISHED. RELEASED FOR PUBLICATION 20
 © COPYRIGHT 2021 TE Connectivity. All Rights Reserved. ALL RIGHTS RESERVED.

REVISIONS					
P	LTR	DESCRIPTION	DATE	DWN	APVD
G1		REVISED PER ECR-16-011506	27JUN2017	NK	CX
G2		ECO-19-006502	29APR2019	AP	WS
G3		REVISED PER ECO-20-009852	14JUL2020	WLS	DZ
G4		REVISED PER ECN-21-100661	17MAR2021	WLS	VS



CIRCUIT NUMBER 1



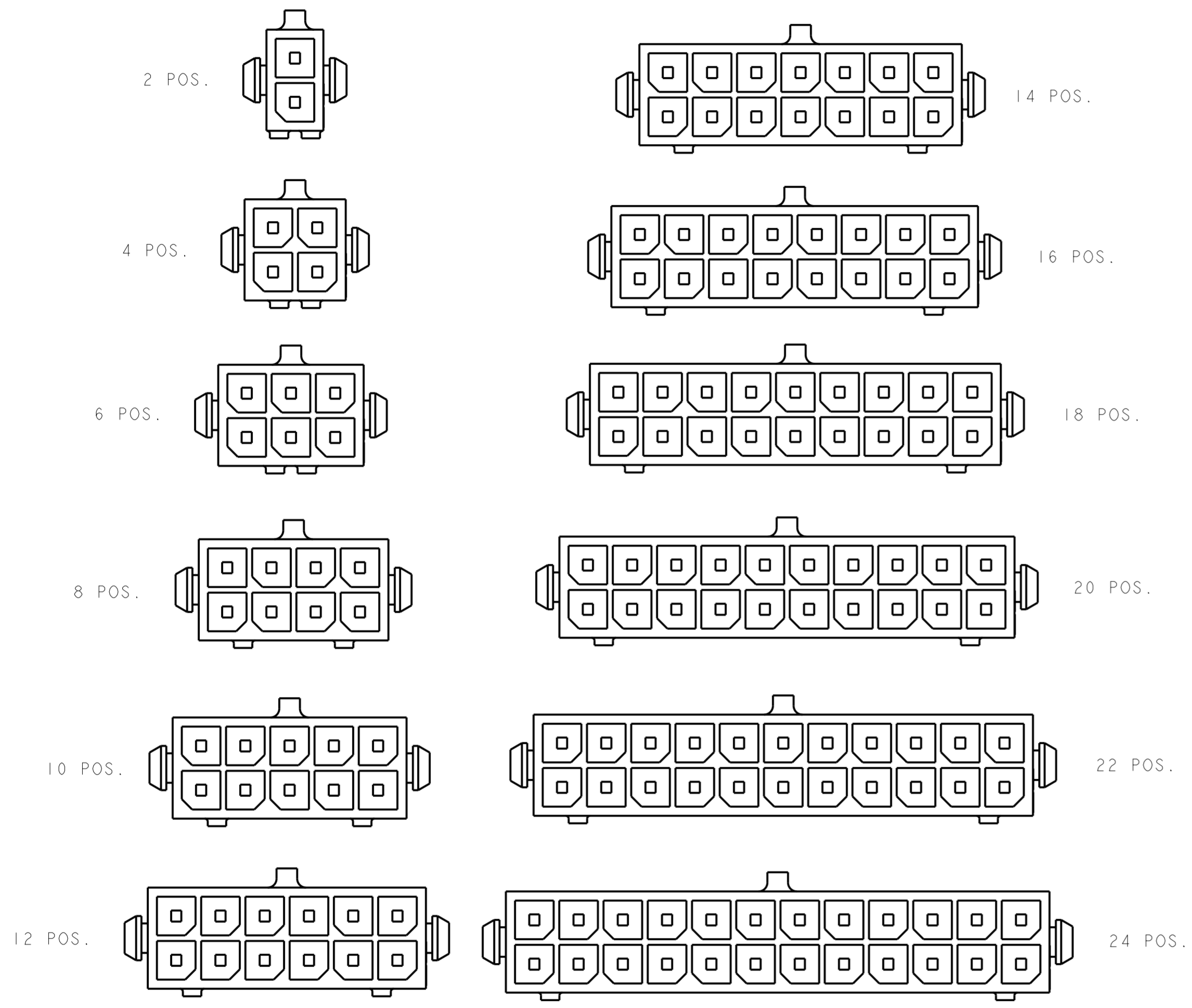
- 1 MATERIAL;
HOUSING - UL 94V-0 RATED HIGH TEMP NYLON, COLOR BLACK.
CONTACTS - BRASS.
HOLDDOWNS - PHOSPHOR BRONZE.
- 2 DIMENSION APPLIES TO SOLDERTAIL SURFACES AND STANDOFF SURFACES.
- 3 RECOMMENDED PC BOARD THICKNESS OF 1.57.
- 4 ALL SOLDERTAILS.
- 5 PLATING;
CONTACTS - 0.38µm MINIMUM GOLD ON MATING AREA.
2.54µm MINIMUM MATTE TIN ON SOLDER TAILS.
ALL OVER 1.27µm MINIMUM NICKEL.
HOLDDOWNS - 2.54µm MINIMUM MATTE TIN OVER 1.27µm MINIMUM NICKEL.
- 6 COUNTERPART RECOMMENDED IS PN 794617 (DASH ACCORDING TO NUMBER OF POSITION).
- 7 FOR REELING DIRECTION AND PACKAGING TYPE, SEE SPECIFICATION 114-13000.

36.86	37.30	33.00	40.00	24	5-794625-4
33.86	34.30	30.00	37.00	22	5-794625-2
30.86	31.30	27.00	34.00	20	5-794625-0
27.86	28.30	24.00	31.00	18	4-794625-8
24.86	25.30	21.00	28.00	16	4-794625-6
21.86	22.30	18.00	25.00	14	4-794625-4
18.86	19.30	15.00	22.00	12	4-794625-2
15.86	16.30	12.00	19.00	10	4-794625-0
12.86	13.30	9.00	16.00	8	3-794625-8
9.86	10.30	6.00	13.00	6	3-794625-6
6.86	7.30	3.00	10.00	4	3-794625-4
3.86	4.30	-	7.00	2	3-794625-2
DIM W	DIM Y	DIM Z	DIM X	NO. OF POSN.	PART NUMBER

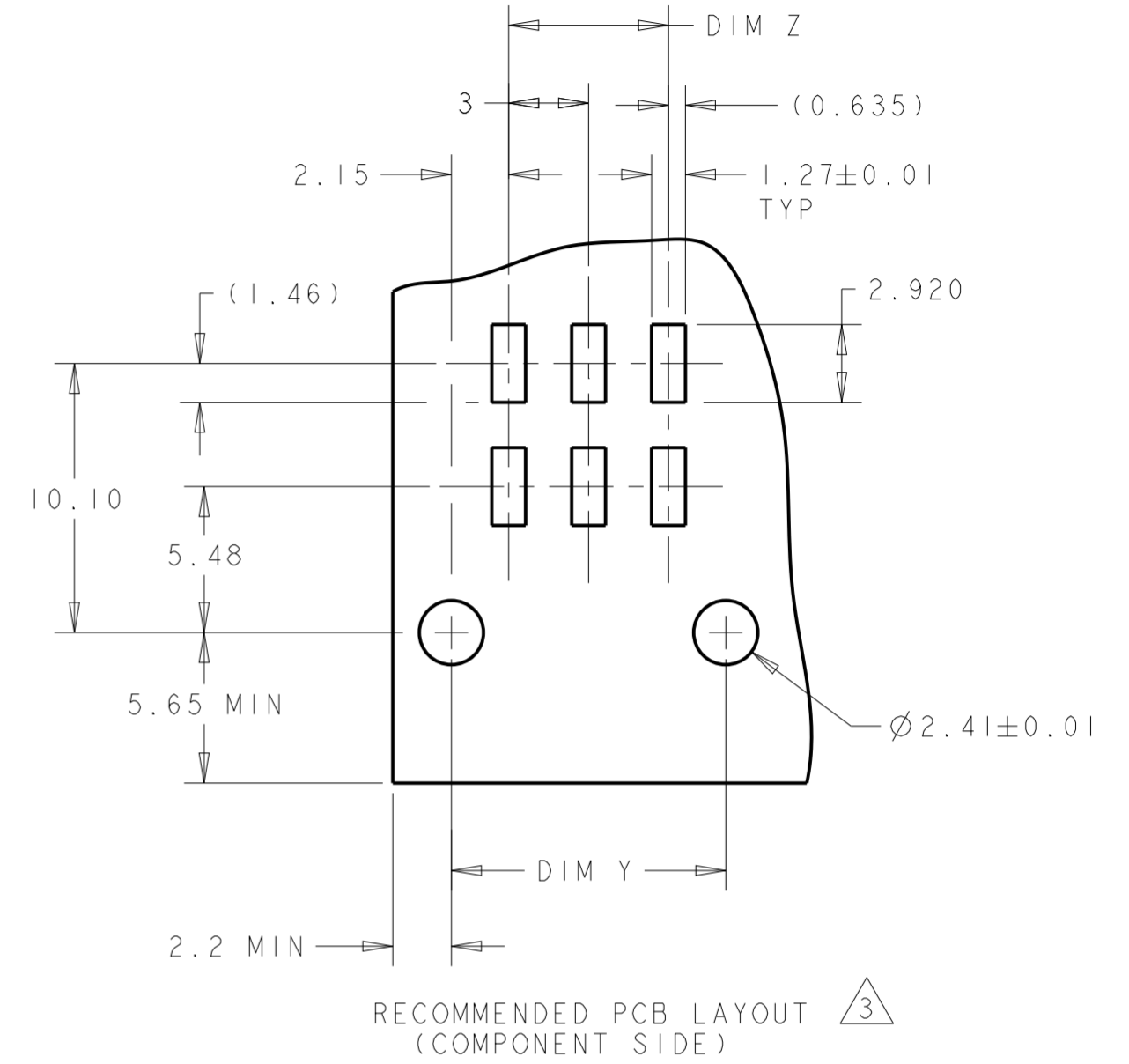
THIS DRAWING IS A CONTROLLED DOCUMENT.		DWN K. WHITAKER 18MAR2021	TE Connectivity		
		CHK C. JONES 19MAR2003			
DIMENSIONS: mm		APVD C. JONES 19MAR2003	NAME -		
TOLERANCES UNLESS OTHERWISE SPECIFIED: 0 PLC ± 1 PLC ± 2 PLC ±0.13 3 PLC ± 4 PLC ± ANGLES ±1° FINISH		PRODUCT SPEC 108-1836	HOLDDON, ASSEMBLY, 15 GOLD HEADER, DUAL ROW, MICRO MATE-N-LOK™		
MATERIAL		APPLICATION SPEC 114-13000	SIZE A2	CAGE CODE 0779	DRAWING NO. G-794625
1		WEIGHT -	RESTRICTED TO -		
5		CUSTOMER DRAWING; RESTRICTED CUSTOMER		SCALE 4:1	SHEET 1 OF 2
				REV G4	

THIS DRAWING IS UNPUBLISHED. RELEASED FOR PUBLICATION 20
 © COPYRIGHT 2021 TE Connectivity. All Rights Reserved. ALL RIGHTS RESERVED.

REVISIONS				
P	LTR	DESCRIPTION	DATE	APVD
-	-	SEE SHEET 1	-	-



KEYING BY POSITION SIZE



THIS DRAWING IS A CONTROLLED DOCUMENT.		DWN 18MAR2021 K. WHITAKER	STE TE Connectivity	
DIMENSIONS: mm		CHK 19MAR2003 C. JONES		
TOLERANCES UNLESS OTHERWISE SPECIFIED:		APVD 19MAR2003 C. JONES	NAME -	
0 PLC ±-		PRODUCT SPEC	HOLDDON, ASSEMBLY, 15 GOLD HEADER, DUAL ROW, MICRO MATE-N-LOK	
1 PLC ±-		108-1836	SIZE CAGE CODE DRAWING NO RESTRICTED TO	
2 PLC ±0.13		APPLICATION SPEC	A20779C-794625	
3 PLC ±-		114-13000	SCALE 4:1 SHEET 2 OF 2 REV G4	
4 PLC ±-		WEIGHT -	CUSTOMER DRAWING; RESTRICTED CUSTOMER	
ANGLES ±1°				
FINISH -				