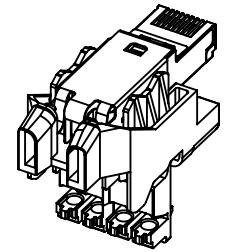
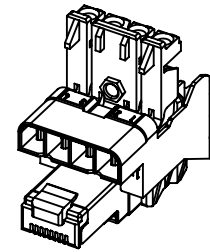
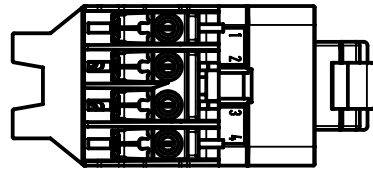
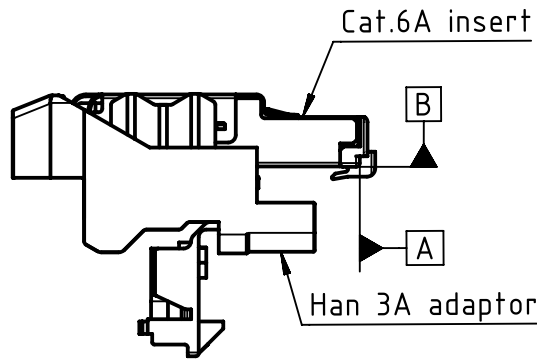
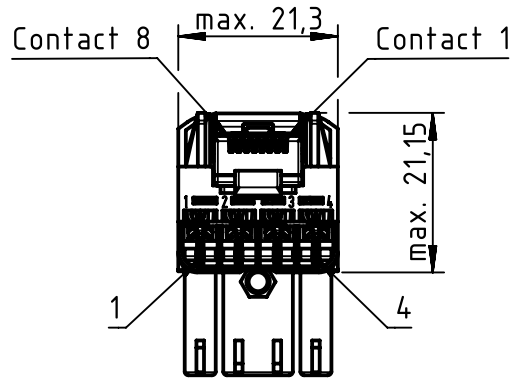


A



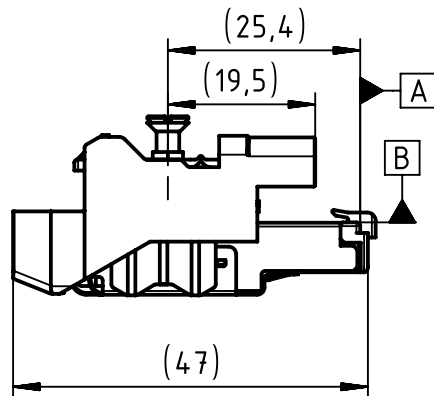
B



- For stranded conductors AWG 28 up to AWG 24
- Max. wire diameter 1.05mm
- Cat.6A performance class EA suitable for 1/10 Gigabit Ethernet
- Temperature range -40°C up to +70°C
- 750 mating cycles

C

Han 3A adaptor with closed lever



D

	All rights reserved Department EL PD	All Dimensions in mm Original Size DIN A4		Scale 1:1	Free size tol.	Ref.
		HARTING Electronics GmbH D-32339 Espelkamp	Created by LUPU	Inspected by PRIESTER	Standardisation HOFFMANN	Date 2018-10-12
Title Han3A RJ45 Hybrid GL Cat6A insert 8+4p						Doc-Key / ECM-Nr. 100514368/UGD/002/E 500000141145
Type TB				Number 09451001720		Rev. E
						Page 1/1