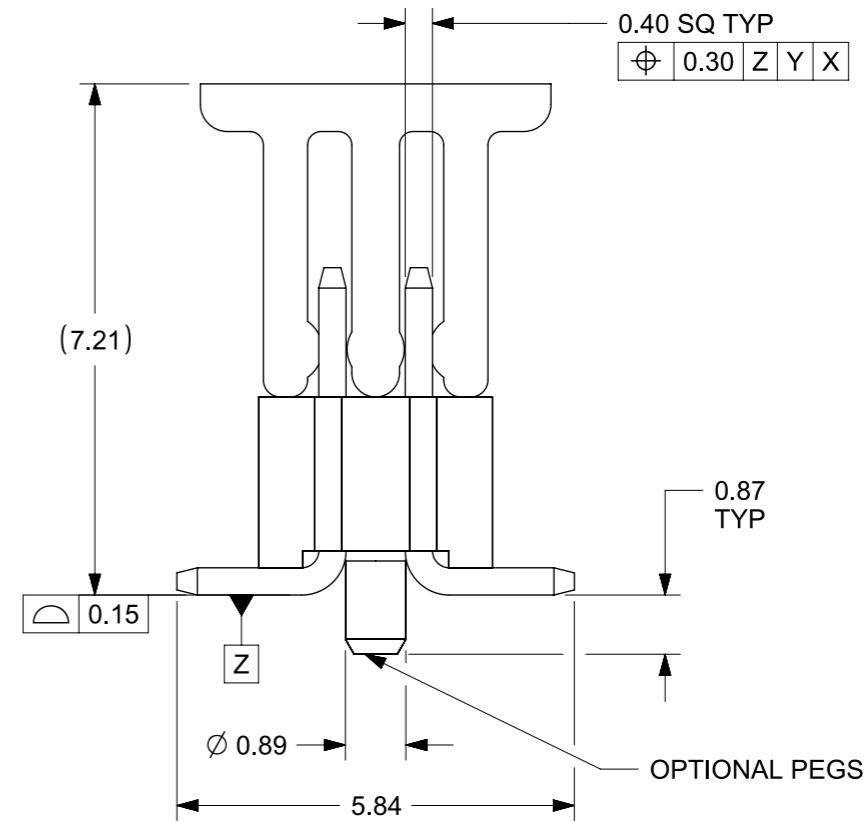
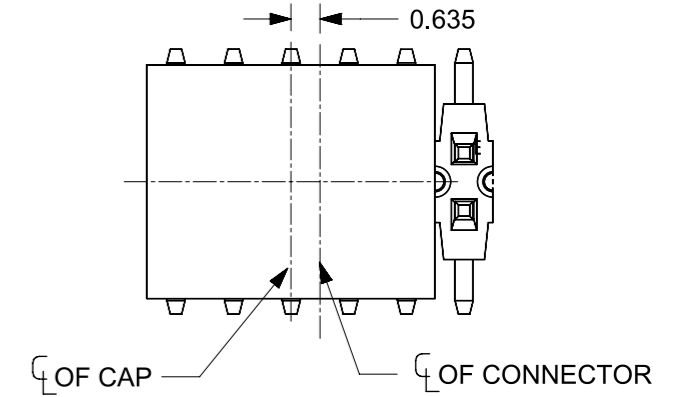


6 CAP POSITION WITH RESPECT TO CONNECTOR

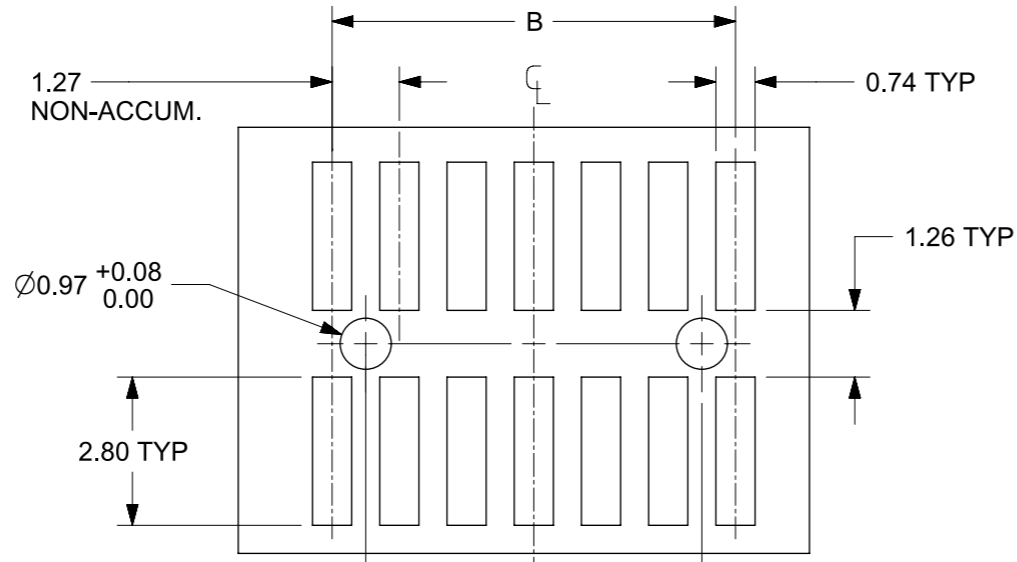
FOR CKT 10 & BELOW & CKT 14, 18, 22, 26, 30,
34, 38, 42, 46, 50, 54, 58, 62, 66, 70, 74, 78, 82,
86, 90, 94, 98

FOR 12, 16, 20, 24, 28, 32, 36, 40, 44, 48, 52,
56, 60, 64, 68, 72, 76, 80, 84, 86, 92, 96, 100



THIS DRAWING CONTAINS INFORMATION THAT IS PROPRIETARY TO MOLEX ELECTRONIC TECHNOLOGIES, LLC AND SHOULD NOT BE USED WITHOUT WRITTEN PERMISSION																																																																																														
DIMENSION UNITS		SCALE		CURRENT REV DESC:																																																																																										
mm		NTS		<table border="1"> <tr> <td colspan="3" rowspan="2"> molex 1.27MM PITCH SMT HEADER WITH CAP PACKED IN TUBE </td> <td colspan="3">PRODUCT CUSTOMER DRAWING</td> </tr> <tr> <td>DOCUMENT NUMBER</td> <td>DOC TYPE</td> <td>DOC PART</td> <td>REVISION</td> </tr> <tr> <td colspan="3">4 PLACES ±</td> <td colspan="3">EC NO: 743277</td> <td colspan="3">2022/11/18</td> </tr> <tr> <td colspan="3">3 PLACES ±</td> <td colspan="3">DRWN: DANUSA</td> <td colspan="3">2023/03/22</td> </tr> <tr> <td colspan="3">2 PLACES ±</td> <td colspan="3">CHK'D: SUAIFR</td> <td colspan="3">2023/03/23</td> </tr> <tr> <td colspan="3">1 PLACE ±</td> <td colspan="3">APPR: MRAMAKRISHNA</td> <td colspan="3">INITIAL REVISION:</td> </tr> <tr> <td colspan="3">0 PLACES ±</td> <td colspan="3">DRWN: SCHEONG</td> <td colspan="3">2016/09/14</td> </tr> <tr> <td colspan="3">DRAFT WHERE APPLICABLE MUST REMAIN WITHIN DIMENSIONS</td> <td colspan="2">THIRD ANGLE PROJECTION</td> <td colspan="2">DRAWING</td> <td colspan="2">SERIES</td> <td colspan="1">MATERIAL NUMBER</td> </tr> <tr> <td colspan="2"></td> <td colspan="2">A3-SIZE</td> <td colspan="2">87933</td> <td colspan="2">SEE TABLE</td> <td colspan="2">GENERAL MARKET</td> </tr> <tr> <td colspan="2"></td> <td colspan="2"></td> <td colspan="2"></td> <td colspan="2"></td> <td colspan="2">1 OF 6</td> </tr> </table>						molex 1.27MM PITCH SMT HEADER WITH CAP PACKED IN TUBE			PRODUCT CUSTOMER DRAWING			DOCUMENT NUMBER	DOC TYPE	DOC PART	REVISION	4 PLACES ±			EC NO: 743277			2022/11/18			3 PLACES ±			DRWN: DANUSA			2023/03/22			2 PLACES ±			CHK'D: SUAIFR			2023/03/23			1 PLACE ±			APPR: MRAMAKRISHNA			INITIAL REVISION:			0 PLACES ±			DRWN: SCHEONG			2016/09/14			DRAFT WHERE APPLICABLE MUST REMAIN WITHIN DIMENSIONS			THIRD ANGLE PROJECTION		DRAWING		SERIES		MATERIAL NUMBER			A3-SIZE		87933		SEE TABLE		GENERAL MARKET										1 OF 6	
molex 1.27MM PITCH SMT HEADER WITH CAP PACKED IN TUBE			PRODUCT CUSTOMER DRAWING																																																																																											
			DOCUMENT NUMBER							DOC TYPE	DOC PART	REVISION																																																																																		
4 PLACES ±			EC NO: 743277							2022/11/18																																																																																				
3 PLACES ±			DRWN: DANUSA							2023/03/22																																																																																				
2 PLACES ±			CHK'D: SUAIFR							2023/03/23																																																																																				
1 PLACE ±			APPR: MRAMAKRISHNA			INITIAL REVISION:																																																																																								
0 PLACES ±			DRWN: SCHEONG			2016/09/14																																																																																								
DRAFT WHERE APPLICABLE MUST REMAIN WITHIN DIMENSIONS			THIRD ANGLE PROJECTION		DRAWING		SERIES		MATERIAL NUMBER																																																																																					
		A3-SIZE		87933		SEE TABLE		GENERAL MARKET																																																																																						
								1 OF 6																																																																																						
GENERAL TOLERANCES (UNLESS SPECIFIED)			ANGULAR TOL ± 3.0°			2016/11/10			SD-87933-0001																																																																																					
4 PLACES ±			3 PLACES ±			2 PLACES ±			PSD																																																																																					
3 PLACES ±			2 PLACES ±			1 PLACE ±			000																																																																																					
2 PLACES ±			1 PLACE ±			0 PLACES ±			C5																																																																																					
1 PLACE ±			0 PLACES ±			DRAFT WHERE APPLICABLE MUST REMAIN WITHIN DIMENSIONS																																																																																								

CKT SIZE	DIM A	DIM B	DIM C
4	2.54	1.27	-
6	3.81	2.54	-
8	5.08	3.81	-
10	6.35	5.08	3.81
12	7.62	6.35	-
14	8.89	7.62	-
16	10.16	8.89	-
18	11.43	10.16	-
20	12.70	11.43	10.16
22	13.97	12.70	-
24	15.24	13.97	-



RECOMMENDED PCB LAYOUT
(PARTS WITH PEGS)
MANUFACTURING TOLERANCE ±0.05



RECOMMENDED PCB LAYOUT
(IMPROVED FOR WITHOUT PEGS OPTION)
MANUFACTURING TOLERANCE ±0.05



PART WITH PEG & CAP
PACKED IN TUBE


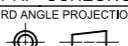


PART WITHOUT PEG &
WITH CAP PACKED IN TUBE

- NOTE:
- MATERIAL: HOUSING: LCP GLASS FILLED, COLOR: BLACK
TERMINAL: COPPER ALLOY
 - PIN PUSHOUT FORCE: 0.4KG MIN. IN EITHER DIRECTION.
 - PLATING FINISH:
 - 2 MICRO INCH MIN. GOLD FLASH OVERALL, 50 MICRO INCH MIN. NICKEL UNDERPLATED
 - 100 MICRO INCH MIN. TIN OVERALL, 50 MICRO INCH MIN. NICKEL UNDERPLATED
 - 30 MICRO INCH MIN. GOLD PLATE IN SELECTED AREA AND 80 MICRO INCH MIN. TIN IN SELECTED AREA OVER, 50 MICRO INCH MIN. NICKEL UNDERPLATED
 - 15 MICRO INCH MIN. GOLD PLATE IN SELECTED AREA AND 80 MICRO INCH MIN. TIN IN SELECTED AREA OVER, 50 MICRO INCH MIN. NICKEL UNDERPLATED
 - 2 MICRO INCH MIN. GOLD FLASH IN SELECTED AREA AND 100 MICRO INCH MIN. TIN IN SELECTED AREA OVER, 50 MICRO INCH MIN. NICKEL UNDERPLATED
 - THE ABOVE 14 CKT SHOWN IS FOR ILLUSTRATION ONLY.
 - PARTS TO BE PACKED IN TUBE EXCEPT FOR 4 CKTS.
 - POSITION OF CAP TO BE LOCATED AS SHOWN.
 - IRREGULAR CIRCUIT CUTOFF WITHIN BREAKAWAY SECTION IS PERMISSIBLE. CUTTING OR CHIPPING OF THE MAIN BODY IS NOT ACCEPTABLE.
 - PACKAGING SPECIFICATION REFER TO
TUBE : PK-89990-565
TAPE & REEL : PK-87933-300
 - PRODUCT SPECIFICATION: 879330001_PS
 - MATED SERIES: 78120 EXCEPT FOR FULL TIN PLATING FINISH
 - PARTS CONFORMS TO CLASS "B" REQUIREMENT TO COSMETIC SPECIFICATION PS-45499-002

THIS DRAWING CONTAINS INFORMATION THAT IS PROPRIETARY TO MOLEX ELECTRONIC TECHNOLOGIES, LLC AND SHOULD NOT BE USED WITHOUT WRITTEN PERMISSION													
DIMENSION UNITS		SCALE		CURRENT REV DESC:				molex					
mm		NTS											
GENERAL TOLERANCES (UNLESS SPECIFIED)				EC NO: 743277 DRWN: DANUSA 2022/11/18 CHK'D: SUAIFR 2023/03/22 APPR: MRAMAKRISHNA 2023/03/23 INITIAL REVISION: DRWN: SCHEONG 2016/09/14 APPR: SCHEONG 2016/11/10				1.27MM PITCH SMT HEADER WITH CAP PACKED IN TUBE					
ANGULAR TOL ± 3.0°								PRODUCT CUSTOMER DRAWING					
4 PLACES ±								DOCUMENT NUMBER		DOC TYPE		DOC PART	
3 PLACES ±								SD-87933-0001		PSD		000 C5	
2 PLACES ±		0.2						SERIES		MATERIAL NUMBER		CUSTOMER	
1 PLACE ±				A3-SIZE		87933		GENERAL MARKET					
0 PLACES ±				SHEET NUMBER		SEE TABLE		2 OF 6					
DRAFT WHERE APPLICABLE MUST REMAIN WITHIN DIMENSIONS				THIRD ANGLE PROJECTION									

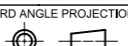
10		9		8		7		6		5		4		3		2		1	
P/N WITH CAP PACKED IN T&R	TOOLED	NOT TOOLED	P/N WITH CAP PACKED IN TUBE	PEG	CKT SIZE	PLATING OPTIONS	DIM. M			P/N WITH CAP PACKED IN T&R	TOOLED	NOT TOOLED	P/N WITH CAP PACKED IN TUBE	P/N WITHOUT CAP PACKED IN T&R	PEG	CKT SIZE	PLATING OPTIONS	DIM. M	
F	87933-0422		X	-	N	04	1	1.65		87933-0828		X	87933-0818	-	N	08	4	3.05	
	87933-0438		X	-	N	04	2	1.65		87933-0824	X		87933-0823	-	N	08	5	3.05	
	87933-0439		X	-	N	04	3	1.65		87933-1022	X		87933-1007	-	N	10	1	1.65	
	87933-0440		X	-	N	04	4	1.65		87933-1038	X		87933-1008	-	N	10	2	1.65	
	87933-0446		X	-	N	04	5	1.65		87933-1039	X		87933-1009	-	N	10	3	1.65	
	87933-0441		X	-	N	04	1	1.91		87933-1040	X		87933-1010	-	N	10	4	1.65	
	87933-0442		X	-	N	04	2	1.91		87933-1046	X		87933-1045	-	N	10	5	1.65	
	87933-0443		X	-	N	04	3	1.91		87933-1041	X		87933-1011	-	N	10	1	1.91	
E	87933-0444		X	-	N	04	4	1.91		87933-1042	X		87933-1012	-	N	10	2	1.91	
	87933-0448		X	-	N	04	5	1.91		87933-1043	X		87933-1013	-	N	10	3	1.91	
	87933-0425		X	-	N	04	1	3.05		87933-1044	X		87933-1014	-	N	10	4	1.91	
	87933-0426		X	-	N	04	2	3.05		87933-1048	X		87933-1047	-	N	10	5	1.91	
	87933-0427		X	-	N	04	3	3.05		87933-1025	X		87933-1015	-	N	10	1	3.05	
	87933-0428		X	-	N	04	4	3.05		87933-1026	X		87933-1016	-	N	10	2	3.05	
	87933-0424		X	-	N	04	5	3.05		87933-1021	X		87933-1017	-	N	10	3	3.05	
	87933-0622	X		87933-0607	N	06	1	1.65		87933-1028	X		87933-1018	C5 87933-1058	N	10	4	3.05	
D	87933-0638	X		87933-0608	N	06	2	1.65		87933-1024	X		87933-1023	-	N	10	5	3.05	
	87933-0639	X		87933-0609	N	06	3	1.65		87933-1237		X	87933-1252	-	N	12	1	1.65	
	87933-0640	X		87933-0610	N	06	4	1.65		87933-1238		X	87933-1258	-	N	12	2	1.65	
	87933-0646	X		87933-0645	N	06	5	1.65		87933-1239		X	87933-1259	-	N	12	3	1.65	
	87933-0641	X		87933-0611	N	06	1	1.91		87933-1240		X	87933-1260	-	N	12	4	1.65	
	87933-0642	X		87933-0612	N	06	2	1.91		87933-1246		X	87933-1245	-	N	12	5	1.65	
	87933-0643	X		87933-0613	N	06	3	1.91		87933-1241		X	87933-1261	-	N	12	1	1.91	
	87933-0644	X		87933-0614	N	06	4	1.91		87933-1242		X	87933-1262	-	N	12	2	1.91	
C	87933-0648	X		87933-0647	N	06	5	1.91		87933-1243		X	87933-1263	-	N	12	3	1.91	
	87933-0625	X		87933-0615	N	06	1	3.05		87933-1244		X	87933-1264	-	N	12	4	1.91	
	87933-0626	X		87933-0616	N	06	2	3.05		87933-1248		X	87933-1247	-	N	12	5	1.91	
	87933-0627	X		87933-0617	N	06	3	3.05		87933-1225		X	87933-1219	-	N	12	1	3.05	
	87933-0628	X		87933-0618	N	06	4	3.05		87933-1229		X	87933-1220	-	N	12	2	3.05	
	87933-0624	X		87933-0623	N	06	5	3.05		87933-1227		X	87933-1221	-	N	12	3	3.05	
	87933-0822		X	87933-0807	N	08	1	1.65		87933-1232		X	87933-1222	-	N	12	4	3.05	
	87933-0838		X	87933-0808	N	08	2	1.65		87933-1224		X	87933-1223	-	N	12	5	3.05	
	87933-0839		X	87933-0809	N	08	3	1.65											
B	87933-0840		X	87933-0810	N	08	4	1.65											
	87933-0846		X	87933-0845	N	08	5	1.65											
	87933-0841		X	87933-0811	N	08	1	1.91											
	87933-0842		X	87933-0812	N	08	2	1.91											
	87933-0843		X	87933-0813	N	08	3	1.91											
	87933-0844		X	87933-0814	N	08	4	1.91											
	87933-0848		X	87933-0847	N	08	5	1.91											
	87933-0825		X	87933-0815	N	08	1	3.05											
A	87933-0826		X	87933-0816	N	08	2	3.05											
	87933-0827		X	87933-0817	N	08	3	3.05											

THIS DRAWING CONTAINS INFORMATION THAT IS PROPRIETARY TO MOLEX ELECTRONIC TECHNOLOGIES, LLC AND SHOULD NOT BE USED WITHOUT WRITTEN PERMISSION															
DIMENSION UNITS		SCALE		CURRENT REV DESC:											
mm		NTS		 1.27MM PITCH SMT HEADER WITH CAP PACKED IN TUBE											
GENERAL TOLERANCES (UNLESS SPECIFIED)															
ANGULAR TOL ± 3.0 °															
4 PLACES ±		EC NO: 743277													
3 PLACES ±		DRWN: DANUSA 2022/11/18													
2 PLACES ± 0.2		CHK'D: SUAIFR 2023/03/22													
1 PLACE ±		APPR: MRAMAKRISHNA 2023/03/23													
0 PLACES ±		INITIAL REVISION:													
		DRWN: SCHEONG 2016/09/14													
		APPR: SCHEONG 2016/11/10													
DRAFT WHERE APPLICABLE MUST REMAIN WITHIN DIMENSIONS		THIRD ANGLE PROJECTION		DRAWING		SERIES		DOCUMENT NUMBER		DOC TYPE		DOC PART		REVISION	
				A3-SIZE		87933		SD-87933-0001		PSD		000		C5	
				SEE TABLE		GENERAL MARKET								3 OF 6	


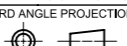
DOCUMENT STATUS	P1	RELEASE DATE	2023/03/23	05:13:54
-----------------	----	--------------	------------	----------

	10	9	8	7	6			
	P/N WITH CAP PACKED IN T&R	TOOLED	NOT TOOLED	P/N WITH CAP PACKED IN TUBE	PEG	CKT SIZE	PLATING OPTIONS	DIM. M
F	87933-1422		X	87933-1407	N	14	1	1.65
	87933-1438		X	87933-1408	N	14	2	1.65
	87933-1439		X	87933-1409	N	14	3	1.65
	87933-1440		X	87933-1410	N	14	4	1.65
	87933-1446		X	87933-1445	N	14	5	1.65
	87933-1441		X	87933-1411	N	14	1	1.91
	87933-1442		X	87933-1412	N	14	2	1.91
	87933-1443		X	87933-1413	N	14	3	1.91
E	87933-1444		X	87933-1414	N	14	4	1.91
	87933-1448		X	87933-1447	N	14	5	1.91
	87933-1425		X	87933-1415	N	14	1	3.05
	87933-1426		X	87933-1416	N	14	2	3.05
	87933-1427		X	87933-1417	N	14	3	3.05
	87933-1428		X	87933-1418	N	14	4	3.05
	87933-1424		X	87933-1423	N	14	5	3.05
	87933-1622		X	87933-1607	N	16	1	1.65
D	87933-1638		X	87933-1608	N	16	2	1.65
	87933-1639		X	87933-1609	N	16	3	1.65
	87933-1640		X	87933-1610	N	16	4	1.65
	87933-1646		X	87933-1645	N	16	5	1.65
	87933-1641		X	87933-1611	N	16	1	1.91
	87933-1642		X	87933-1612	N	16	2	1.91
	87933-1643		X	87933-1613	N	16	3	1.91
	87933-1644		X	87933-1614	N	16	4	1.91
	87933-1648		X	87933-1647	N	16	5	1.91
C	87933-1625		X	87933-1615	N	16	1	3.05
	87933-1626		X	87933-1616	N	16	2	3.05
	87933-1627		X	87933-1617	N	16	3	3.05
	87933-1628		X	87933-1618	N	16	4	3.05
	87933-1624		X	87933-1623	N	16	5	3.05
	87933-1822		X	87933-1807	N	18	1	1.65
	87933-1838		X	87933-1808	N	18	2	1.65
	87933-1839		X	87933-1809	N	18	3	1.65
B	87933-1840		X	87933-1810	N	18	4	1.65
	87933-1846		X	87933-1845	N	18	5	1.65
	87933-1841		X	87933-1811	N	18	1	1.91
	87933-1842		X	87933-1812	N	18	2	1.91
	87933-1843		X	87933-1813	N	18	3	1.91
	87933-1844		X	87933-1814	N	18	4	1.91
	87933-1848		X	87933-1847	N	18	5	1.91
	87933-1825		X	87933-1815	N	18	1	3.05
A	87933-1826		X	87933-1816	N	18	2	3.05
	87933-1827		X	87933-1817	N	18	3	3.05

	5	4	3	2	1			
	P/N WITH CAP PACKED IN T&R	TOOLED	NOT TOOLED	P/N WITH CAP PACKED IN TUBE	PEG	CKT SIZE	PLATING OPTIONS	DIM. M
	87933-1828	X		87933-1818	N	18	4	3.05
	87933-1824	X		87933-1823	N	18	5	3.05
	87933-2037	X		87933-2007	N	20	1	1.65
	87933-2038	X		87933-2008	N	20	2	1.65
	87933-2039	X		87933-2009	N	20	3	1.65
	87933-2040	X		87933-2010	N	20	4	1.65
	87933-2046	X		87933-2045	N	20	5	1.65
	87933-2041	X		87933-2011	N	20	1	1.91
	87933-2042	X		87933-2012	N	20	2	1.91
	87933-2043	X		87933-2013	N	20	3	1.91
	87933-2044	X		87933-2014	N	20	4	1.91
	87933-2048	X		87933-2047	N	20	5	1.91
	87933-2025	X		87933-2015	N	20	1	3.05
	87933-2026	X		87933-2016	N	20	2	3.05
	87933-2027	X		87933-2017	N	20	3	3.05
	87933-2021	X		87933-2018	N	20	4	3.05
	87933-2024	X		87933-2023	N	20	5	3.05
	87933-2237		X	87933-2207	N	22	1	1.65
	87933-2238		X	87933-2208	N	22	2	1.65
	87933-2239		X	87933-2209	N	22	3	1.65
	87933-2240		X	87933-2210	N	22	4	1.65
	87933-2246		X	87933-2245	N	22	5	1.65
	87933-2241		X	87933-2211	N	22	1	1.91
	87933-2242		X	87933-2212	N	22	2	1.91
	87933-2243		X	87933-2213	N	22	3	1.91
	87933-2244		X	87933-2214	N	22	4	1.91
	87933-2248		X	87933-2247	N	22	5	1.91
	87933-2225		X	87933-2215	N	22	1	3.05
	87933-2226		X	87933-2216	N	22	2	3.05
	87933-2227		X	87933-2217	N	22	3	3.05
	87933-2228		X	87933-2218	N	22	4	3.05
	87933-2224		X	87933-2223	N	22	5	3.05

THIS DRAWING CONTAINS INFORMATION THAT IS PROPRIETARY TO MOLEX ELECTRONIC TECHNOLOGIES, LLC AND SHOULD NOT BE USED WITHOUT WRITTEN PERMISSION									
DIMENSION UNITS		SCALE		CURRENT REV DESC:					
mm		NTS		 1.27MM PITCH SMT HEADER WITH CAP PACKED IN TUBE PRODUCT CUSTOMER DRAWING					
GENERAL TOLERANCES (UNLESS SPECIFIED)									
ANGULAR TOL ± 3.0°									
4 PLACES ±		EC NO: 743277							
3 PLACES ±		DRWN: DANUSA 2022/11/18							
2 PLACES ± 0.2		CHK'D: SUAIFR 2023/03/22							
1 PLACE ±		APPR: MRAMAKRISHNA 2023/03/23							
0 PLACES ±		INITIAL REVISION:							
DRAFT WHERE APPLICABLE MUST REMAIN WITHIN DIMENSIONS		THIRD ANGLE PROJECTION		DRAWING		SERIES		MATERIAL NUMBER	
				A3-SIZE		87933		SEE TABLE	
				CUSTOMER		GENERAL MARKET		SHEET NUMBER	
								4 OF 6	

	10	9	8	7	6	5	4	3	2	1
	P/N WITH CAP PACKED IN T&R	TOOLED	NOT TOOLED	P/N WITH CAP PACKED IN TUBE	PEG	CKT SIZE	PLATING OPTIONS	DIM. M		
F	87933-2437		X	87933-2407	N	24	1	1.65		
	87933-2438		X	87933-2408	N	24	2	1.65		
	87933-2439		X	87933-2409	N	24	3	1.65		
	87933-2440		X	87933-2410	N	24	4	1.65		
	87933-2446		X	87933-2445	N	24	5	1.65		
	87933-2441		X	87933-2411	N	24	1	1.91		
	87933-2442		X	87933-2412	N	22	2	1.91		
	87933-2443		X	87933-2413	N	24	3	1.91		
E	87933-2444		X	87933-2414	N	24	4	1.91		
	87933-2448		X	87933-2447	N	24	5	1.91		
	87933-2425		X	87933-2415	N	24	1	3.05		
	87933-2426		X	87933-2416	N	24	2	3.05		
	87933-2427		X	87933-2417	N	24	3	3.05		
	87933-2428		X	87933-2418	N	24	4	3.05		
	87933-2424		X	87933-2423	N	24	5	3.05		

THIS DRAWING CONTAINS INFORMATION THAT IS PROPRIETARY TO MOLEX ELECTRONIC TECHNOLOGIES, LLC AND SHOULD NOT BE USED WITHOUT WRITTEN PERMISSION										
DIMENSION UNITS	SCALE	CURRENT REV DESC:								
mm	NTS									
GENERAL TOLERANCES (UNLESS SPECIFIED)		EC NO: 743277 DRWN: DANUSA 2022/11/18 CHK'D: SUAIFR 2023/03/22 APPR: MRAMAKRISHNA 2023/03/23					1.27MM PITCH SMT HEADER WITH CAP PACKED IN TUBE			
ANGULAR TOL	± 3.0 °						PRODUCT CUSTOMER DRAWING			
4 PLACES	±						DOCUMENT NUMBER			
3 PLACES	±						SD-87933-0001			
2 PLACES	± 0.2						DOC TYPE			
1 PLACE	±	INITIAL REVISION:					DOC PART			
0 PLACES	±	DRWN: SCHEONG 2016/09/14					REVISION			
DRAFT WHERE APPLICABLE MUST REMAIN WITHIN DIMENSIONS		THIRD ANGLE PROJECTION		DRAWING	SERIES	MATERIAL NUMBER	CUSTOMER		SHEET NUMBER	
				A3-SIZE	87933	SEE TABLE	GENERAL MARKET		5 OF 6	

DOCUMENT STATUS	P1	RELEASE DATE	2023/03/23	05:13:54
-----------------	----	--------------	------------	----------

BOARD TO BOARD (BTB) DISTANCE

HEADER	MATES WITH (RECEPTACLE)	BTB DIST.	PICTORIAL VIEW
87933	78120	7.57	

THIS DRAWING CONTAINS INFORMATION THAT IS PROPRIETARY TO MOLEX ELECTRONIC TECHNOLOGIES, LLC AND SHOULD NOT BE USED WITHOUT WRITTEN PERMISSION										
DIMENSION UNITS	SCALE	CURRENT REV DESC:								
mm	NTS									
GENERAL TOLERANCES (UNLESS SPECIFIED)		EC NO: 743277 DRWN: DANUSA 2022/11/18 CHK'D: SUAIFR 2023/03/22 APPR: MRAMAKRISHNA 2023/03/23 INITIAL REVISION: DRWN: SCHEONG 2016/09/14 APPR: SCHEONG 2016/11/10				1.27MM PITCH SMT HEADER WITH CAP PACKED IN TUBE				
ANGULAR TOL	± 3.0 °					PRODUCT CUSTOMER DRAWING				
4 PLACES	±					DOCUMENT NUMBER		DOC TYPE	DOC PART	REVISION
3 PLACES	±					SD-87933-0001		PSD	000	C5
2 PLACES	± 0.2					MATERIAL NUMBER		CUSTOMER		SHEET NUMBER
1 PLACE	±	SEE TABLE		GENERAL MARKET		6 OF 6				
0 PLACES	±									
DRAFT WHERE APPLICABLE MUST REMAIN WITHIN DIMENSIONS		THIRD ANGLE PROJECTION	DRAWING	SERIES	MATERIAL NUMBER		CUSTOMER		SHEET NUMBER	
			A3-SIZE	87933	SEE TABLE		GENERAL MARKET		6 OF 6	

DOCUMENT STATUS	P1	RELEASE DATE	2023/03/23	05:13:54
-----------------	----	--------------	------------	----------